

# CMV1830

Sewage Ejector Package

Vent pipe not included



Shown Assembled

## Package includes the following:

- CMV5A-11, ½ HP sewage pump.
- 18" x 30" structural foam sewage basin
- 18" solid structural foam cover with 2" discharge flange, vent flange suitable for 2" or 3" vent.
- 2" full swing check valve.
- 4" inlet hub.
- PVC discharge pipe TOE

**All components shipped packed inside basin. Package is not assembled.**

## CMV5A-11 PUMP CAPABILITIES

Capacities To	95 gpm	360 lpm
Heads To	18 ft.	5.5 m
	19 ft. shutoff	5.8 m
Pump Down Range		
Float Switch	9-10"	228-254 mm
Solids Handling	2"	50.8 mm
Liquids Handling	raw sewage, effluent, drain water	
Intermittent Liquid Temp.	up to 140°F	up to 60°C
Motor	½ HP shaded pole 1625 rpm	
Electrical	115V, 12 amps, 1Ø, 60Hz	
Acceptable pH Range	6 - 9	
Discharge, NPT	2"	50.8 mm

## Construction Materials

Motor Housing	cast iron
Volute Case	thermoplastic
Impeller	recessed, thermoplastic
Power Cord	20 ft., 16/3 SJOW/SJOW-A
Mechanical Seal	carbon and ceramic

**WHERE INNOVATION MEETS TRADITION**

# Myers®

Pentair Pump Group

# CMV1830

Sewage Ejector Package

**POWER & FLOAT CORDS**  
Quick-connect, watertight fittings are interchangeable, replaceable from pump exterior.

**OVERLOAD SWITCH**  
Built-in to protect against overload conditions

**1/2 HP MOTOR**  
1625 rpm, 60 Hz, 115V, single phase. Oil cooled and lubricated.

**MERCURY-FREE MECHANICAL FLOAT SWITCH**  
90° operating angle. 8" pump down range.

**MOTOR HOUSING**  
Cast iron for efficient heat transfer.

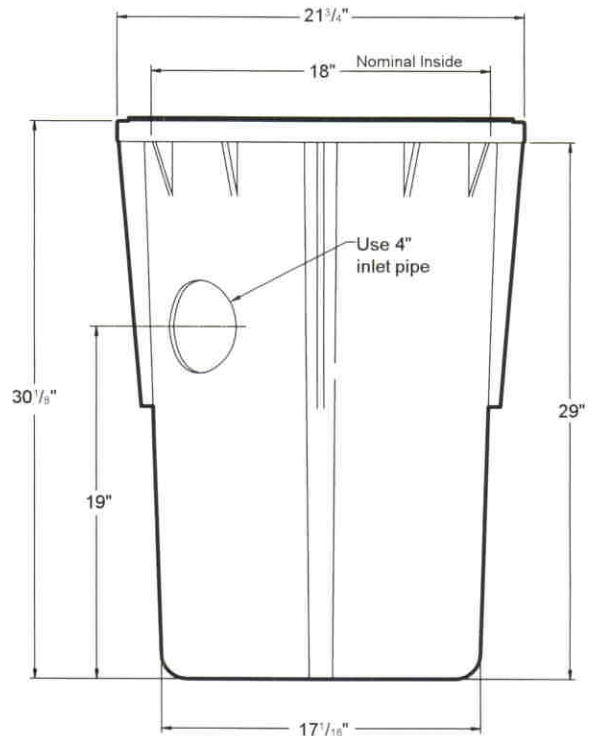
**THERMOPLASTIC VOLUTE**  
Passes 2" diameter solids.

**DUAL THRUST WASHERS, SLEEVE BEARINGS**  
Enhance smooth operation and extend pump life.

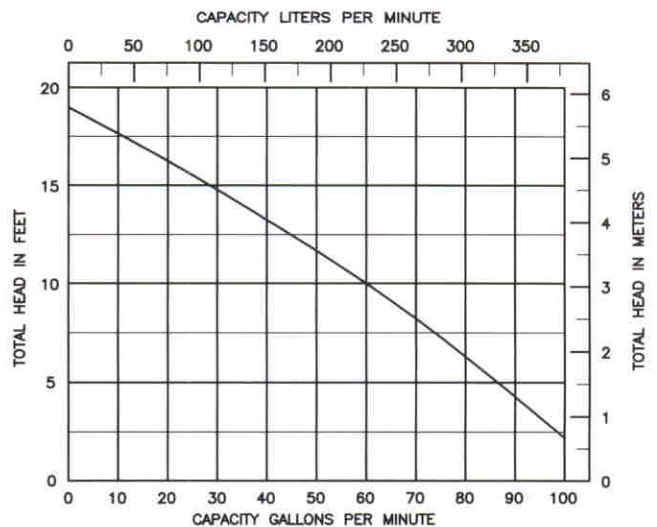
**RECESSED IMPELLER**  
Operates out of volute passage, allowing maximum flow of liquids and solids.

**MECHANICAL SHAFT SEAL**  
Carbon and ceramic faces, body is stationary, prevents string or trash from winding on seal.

## DIMENSIONS



## PERFORMANCE CURVE



K3680 2/01  
Printed in U.S.A.



**Myers**  
Pentair Pump Group

F. E. Myers, 1101 Myers Parkway, Ashland, Ohio 44805-1969  
419/289-1144, FAX: 419/289-6658, www.femyers.com

Myers (Canada), 269 Trillium Drive, Kitchener, Ontario N2G 4W5  
519/748-5470, FAX: 519/748-2553