

# PRODUCT INFORMATION PACKET

**marathon**<sup>®</sup>  
Motors

Model No: 365TSTDBD6060  
Catalog No: GT0085  
75,1800,DP,365TS,3/60/230/460  
Open Drip Proof (ODP)



Regal and Marathon are trademarks of Regal Beloit Corporation or one of its affiliated companies.  
©2018 Regal Beloit Corporation, All Rights Reserved. MC017097E

**REGAL**<sup>®</sup>



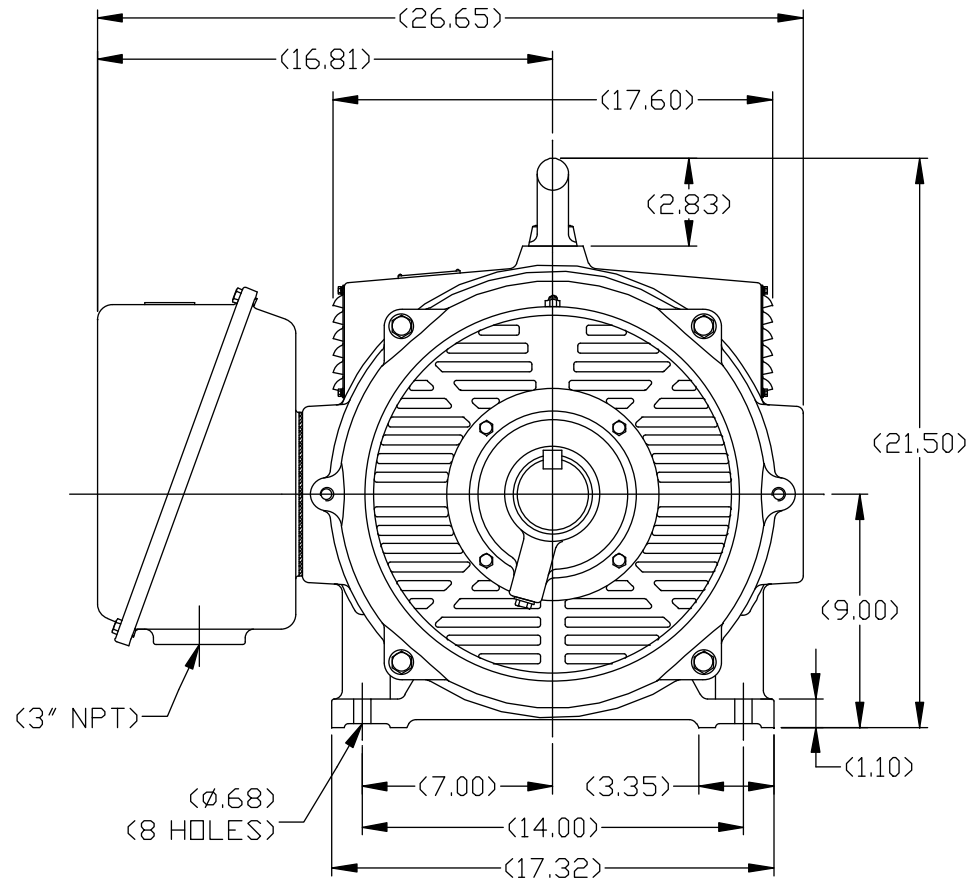
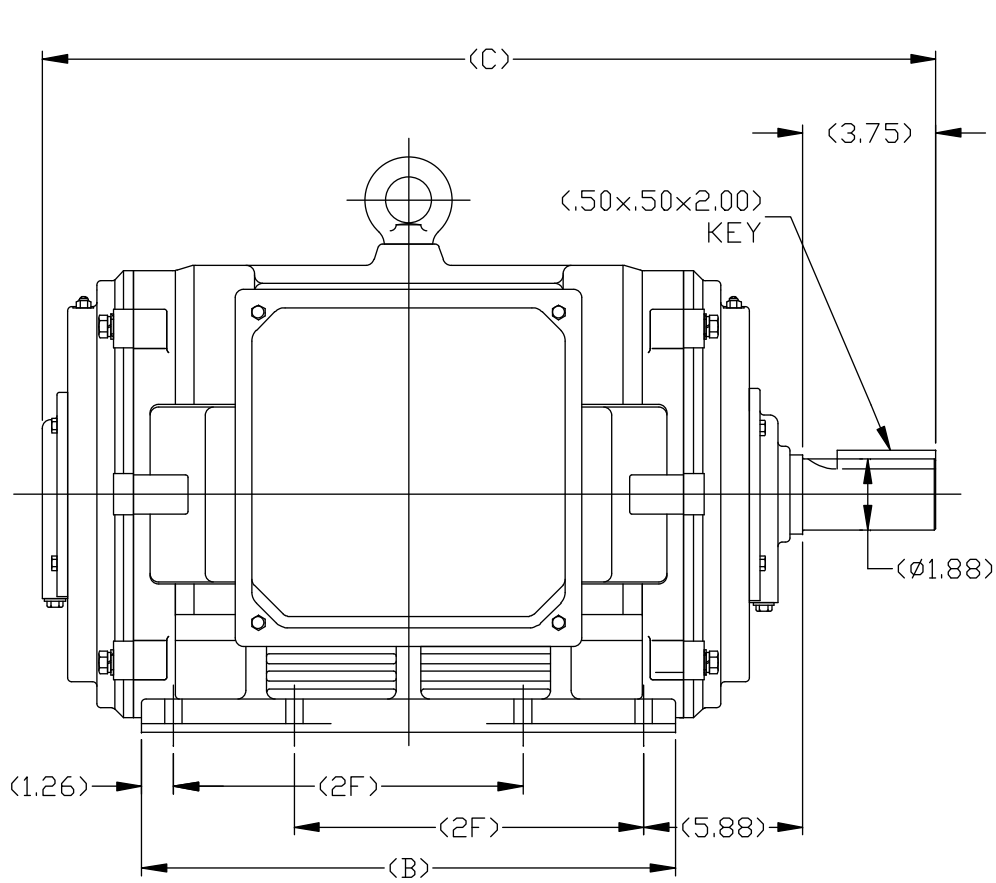
### Nameplate Specifications

Output HP	<b>75 Hp</b>	Output KW	<b>56.0 kW</b>
Frequency	<b>60 Hz</b>	Voltage	<b>230/460 V</b>
Current	<b>172.0/86.0 A</b>	Speed	<b>1782 rpm</b>
Service Factor	<b>1.15</b>	Phase	<b>3</b>
Efficiency	<b>95 %</b>	Duty	<b>Continuous</b>
Insulation Class	<b>F</b>	Design Code	<b>B</b>
KVA Code	<b>G</b>	Frame	<b>365TS</b>
Enclosure	<b>Drip Proof</b>	Overload Protector	<b>No</b>
Ambient Temperature	<b>40 °C</b>	Drive End Bearing Size	<b>6314</b>
Opp Drive End Bearing Size	<b>6313</b>	UL	<b>Recognized</b>
CSA	<b>Y</b>	CE	<b>Y</b>
IP Code	<b>22</b>		

### Technical Specifications

Electrical Type	<b>Squirrel Cage Inverter Rated</b>	Starting Method	<b>Part Wdg Start &amp; Wye Start Delta Run Or Inverter</b>
Poles	<b>4</b>	Rotation	<b>Reversible</b>
Mounting	<b>Rigid base</b>	Motor Orientation	<b>Horizontal</b>
Drive End Bearing	<b>Ball</b>	Opp Drive End Bearing	<b>Ball</b>
Frame Material	<b>Rolled Steel</b>	Shaft Type	<b>TS</b>
Overall Length	<b>31.14 in</b>	Shaft Diameter	<b>1.875 in</b>
Shaft Extension	<b>3.75 in</b>	Assembly/Box Mounting	<b>F1/F2 Capable</b>
Outline Drawing	<b>SS620113-365TS</b>	Connection Diagram	<b>EE7308AA</b>


This is an uncontrolled document once printed or downloaded and is subject to change without notice. Date Created: 06/29/2018



(MAY NOT BE TO SCALE)

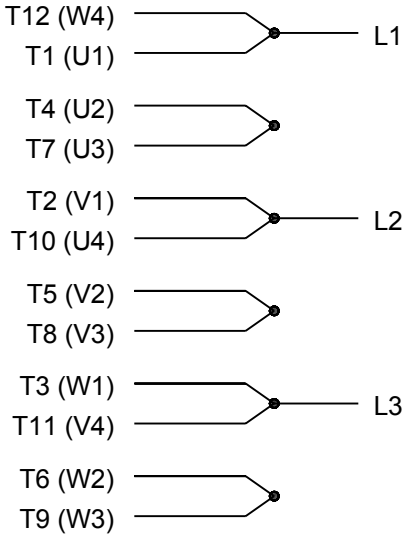
(DIMENSIONS IN TABLE ARE CONSIDERED REFERENCE)

364TSTDCA4026	364TS	29.57	17.32	11.25
365TSTDCA4026	365TS	31.14	18.90	12.25
MODEL	FRAME	C	B	2F

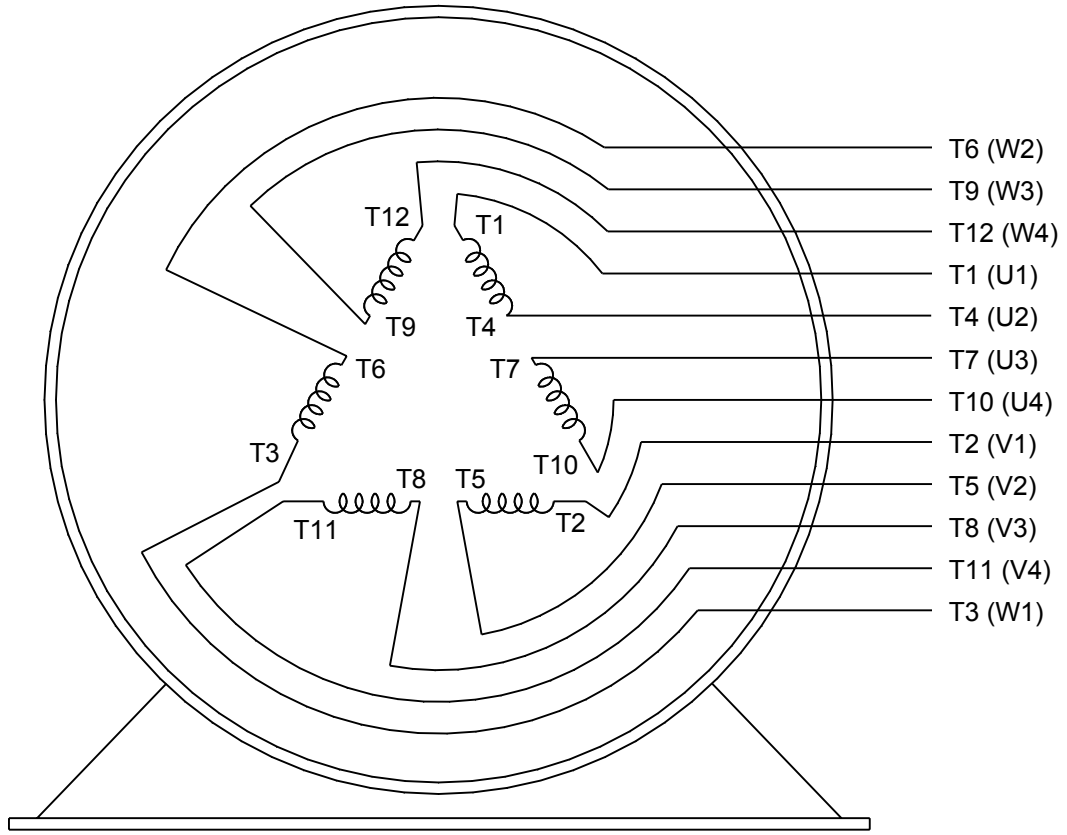
		TOLERANCES UNLESS SPECIFIED		 REGAL-BELOIT CORPORATION	DRAWN SB 01-14-2008
		DEC.	INCHES		CHK ML 11-09-2007
		.X	±.1	TITLE	APPD MSG 11-09-2007
		.XX	±.03	364/365TSTDCA4026 - DDP	SCALE 1=1
		.XXX	±.005	MAT'L.	REF
		.XXXX	±.0005	FINISH	FMF HUADA
NO.	REVISION	BY & DATE	CHK ANG ±1/2	PREV	
THIS DRAWING IN DESIGN AND DETAIL IS OUR PROPERTY AND MUST NOT BE USED EXCEPT IN CONNECTION WITH OUR WORK ALL RIGHTS OF DESIGN AND INVENTION ARE RESERVED THIS IS AN ELECTRONICALLY GENERATED DOCUMENT - DO NOT SCALE THIS PRINT				RFP CAD FILE SS620113	SIZE DRAWING NO. B SS620113
				DIST	REV.



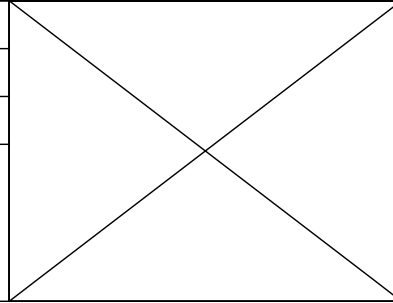
**LOW VOLTAGE**



**HIGH VOLTAGE**



DRAWING REVISION <b>K</b>	REVISION BY <b>AJW</b>	DATE <b>07-17-2015</b>
ECO <b>ECO-0081632</b>	APPROVED BY <b>T. VUE</b>	DATE <b>07-17-2015</b>
ECO DESCRIPTION <b>REV'D IEC MARKINGS PER IEC 60034-8</b>		
<small>COPYRIGHT REGAL BELOIT AMERICA, INC. ALL RIGHTS RESERVED.                  PROPRIETARY AND CONFIDENTIAL INFORMATION - THIS DOCUMENT IS THE PROPERTY OF                  REGAL BELOIT AMERICA, INC. ("OWNER") AND CONTAINS OWNER'S PROPRIETARY                  INFORMATION. ANY PERSON, CORPORATION OR OTHER FIRM RECEIVING IT IS DEEMED,                  BY RECEIVING IT, TO AGREE THAT IT, AND/OR ANY PART OF IT, SHALL NOT BE DISCLOSED                  TO ANY PERSON, CORPORATION OR OTHER ENTITY, DUPLICATED, AND/OR USED, EXCEPT                  AS EXPRESSLY APPROVED IN WRITING IN ADVANCE BY OWNER. THIS DOCUMENT SHALL                  BE RETURNED TO OWNER UPON REQUEST. IT MAY BE SUBJECT TO CERTAIN                  RESTRICTIONS UNDER APPLICABLE EXPORT CONTROL LAWS AND REGULATIONS.</small>		



DRAWN BY <b>LZ</b>	<b>Regal Beloit America, Inc.</b>			
DATE <b>01-12-1994</b>	APPROVED BY <b>GK</b>		DESCRIPTION <b>CONN DIAGRAM-EXTERNAL</b> <b>3Ø-2/1 DELTA-12 LEADS</b>	
DATE <b>01-14-1994</b>	REFERENCE			
THIRD ANGLE PROJECTION		SIZE <b>A</b>	DRAWING NUMBER <b>EE7308AA</b>	SHEET <b>1 OF 1</b>

CERTIFICATION DATA SHEET

Model#: 365TSTDBD6060 AA WINDING#: HE32254013 NONE 2
CONN. DIAGRAM: EE7308AA ASSEMBLY: F1/F2 CAPABLE
OUTLINE: SS620113

TYPICAL MOTOR PERFORMANCE DATA

Table with columns: HP, KW, SYNC. RPM, F.L. RPM, FRAME, ENCLOSURE, KVA CODE, DESIGN, PH, Hz, VOLTS, FL AMPS, START TYPE, DUTY, INSL, S.F, AMB°C, ELEVATION, FULL LOAD EFF, 3/4 LOAD EFF, 1/2 LOAD EFF, GTD. EFF, ELEC. TYPE, NO LOAD AMPS, F.L. TORQUE, LOCKED ROTOR AMPS, L.R. TORQUE, B.D. TORQUE, F.L. RISE°C, SOUND PRESSURE @ 3 FT., SOUND POWER, ROTOR WK^2, MAX. WK^2, SAFE STALL TIME, STARTS /HOUR, APPROX. MOTOR WGT

\*\*\* SUPPLEMENTAL INFORMATION \*\*\*

Table with columns: DE BRACKET TYPE, ODE BRACKET TYPE, MOUNT TYPE, ORIENTATION, SEVERE DUTY, HAZARDOUS LOCATION, DRIP COVER, SCREENS, PAINT, BEARINGS (DE, OPE), GREASE, SHAFT TYPE, SPECIAL DE, SPECIAL ODE, SHAFT MATERIAL, FRAME MATERIAL, THERMO-PROTECTORS (THERMOSTATS, PROTECTORS, WDG RTDs, BRG RTDs), THERMISTORS, CONTROL, SPACE /n HEATERS

If Inverter equals NONE, contact factory for further information

Table with rows: INVERTER TORQUE: VARIABLE 10:1, INV. HP SPEED RANGE: NONE, ENCODER: NONE, NONE NONE, NONE NONE PPR, BRAKE: NONE NONE, NONE P/N NONE, NONE NONE, NONE FT-LB NONE V NONE Hz

\*
N
O
T
E
S
\*

\*\* Subject to change without notice.