

# PRODUCT INFORMATION PACKET

Model No: 365TTDS16086  
Catalog No: M735  
50,1200,DP,365HPV,3/60/230/460PWS&YD  
Vertical Pump



Regal and Marathon are trademarks of Regal Beloit Corporation or one of its affiliated companies.  
©2018 Regal Beloit Corporation, All Rights Reserved. MC017097E

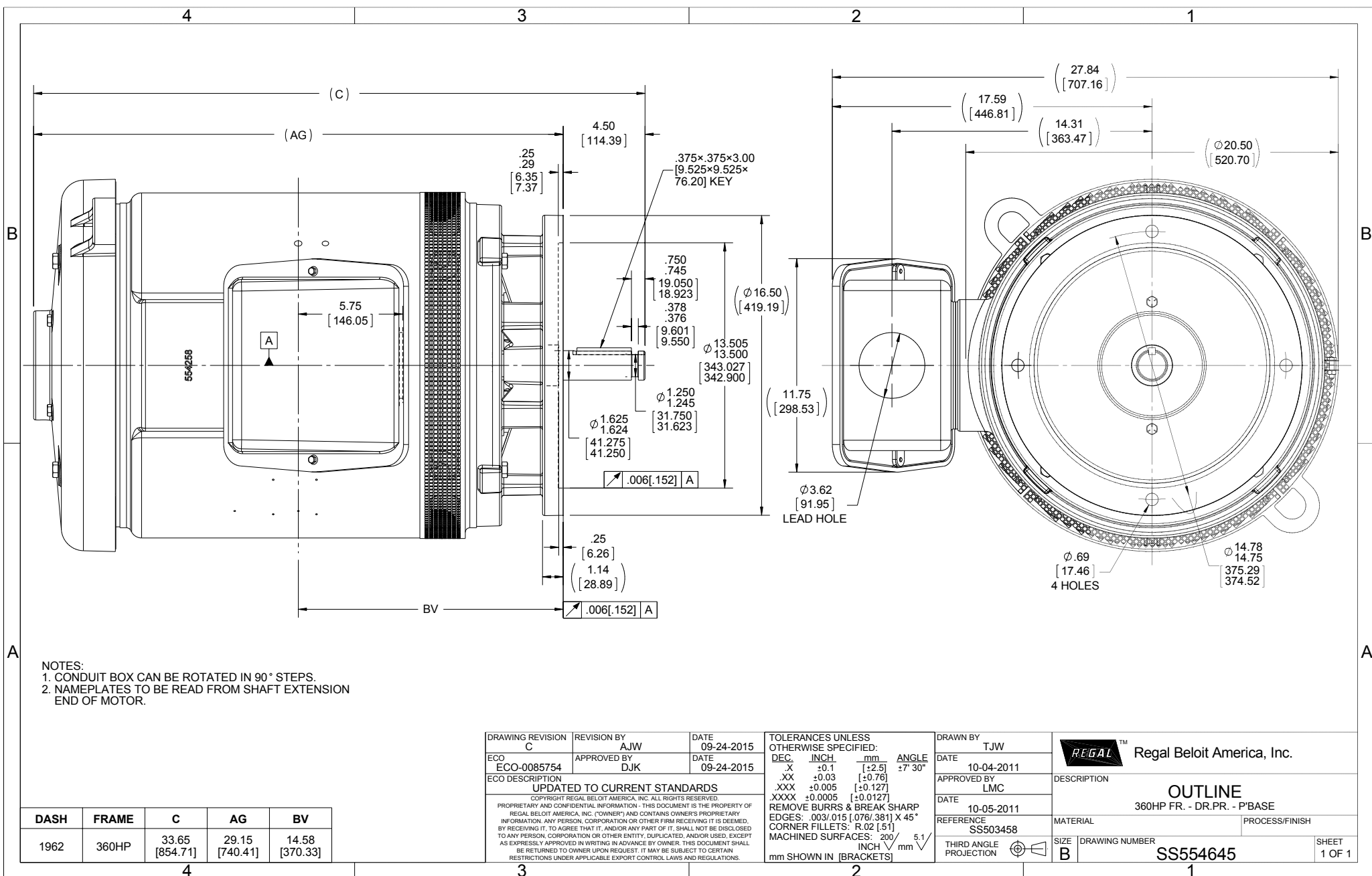


### Nameplate Specifications

Output HP	<b>50 Hp</b>	Output KW	<b>37.0 kW</b>
Frequency	<b>60 Hz</b>	Voltage	<b>230/460 V</b>
Current	<b>125.0/62.5 A</b>	Speed	<b>1185 rpm</b>
Service Factor	<b>1.15</b>	Phase	<b>3</b>
Efficiency	<b>94.1 %</b>	Duty	<b>Continous</b>
Insulation Class	<b>F</b>	Design Code	<b>B</b>
KVA Code	<b>G</b>	Frame	<b>365HPV</b>
Enclosure	<b>Drip Proof</b>	Overload Protector	<b>No</b>
Ambient Temperature	<b>40 °C</b>	Drive End Bearing Size	<b>6312</b>
Opp Drive End Bearing Size	<b>7312 2</b>	UL	<b>Recognized</b>
CSA	<b>Y</b>	CE	<b>Y</b>
IP Code	<b>22</b>		

### Technical Specifications

Electrical Type	<b>Squirrel Cage Induction Run</b>	Starting Method	<b>Part Wdg Start Low Volt Only &amp; Wye Start Delta Run</b>
Poles	<b>6</b>	Rotation	<b>Reversible</b>
Mounting	<b>Round</b>	Motor Orientation	<b>Shaft Down</b>
Drive End Bearing	<b>Ball</b>	Opp Drive End Bearing	<b>Duplex Tandem Angular Contact</b>
Frame Material	<b>Cast Iron</b>	Shaft Type	<b>HP</b>
Overall Length	<b>33.65 in</b>	Frame Length	<b>19.62 in</b>
Shaft Diameter	<b>1.625 in</b>	Shaft Extension	<b>4.5 in</b>
Assembly/Box Mounting	<b>F1/F2 Capable</b>		
Outline Drawing	<b>B-SS554645-1962</b>	Connection Diagram	<b>A-EE7308AA</b>



- NOTES:  
 1. CONDUIT BOX CAN BE ROTATED IN 90° STEPS.  
 2. NAMEPLATES TO BE READ FROM SHAFT EXTENSION END OF MOTOR.

DASH	FRAME	C	AG	BV
1962	360HP	33.65 [854.71]	29.15 [740.41]	14.58 [370.33]

DRAWING REVISION C	REVISION BY AJW	DATE 09-24-2015
ECO ECO-0085754	APPROVED BY DJK	DATE 09-24-2015
ECO DESCRIPTION UPDATED TO CURRENT STANDARDS		
<small>COPYRIGHT REGAL BELOIT AMERICA, INC. ALL RIGHTS RESERVED.                  PROPRIETARY AND CONFIDENTIAL INFORMATION - THIS DOCUMENT IS THE PROPERTY OF                  REGAL BELOIT AMERICA, INC. ("OWNER") AND CONTAINS OWNER'S PROPRIETARY                  INFORMATION. ANY PERSON, CORPORATION OR OTHER FIRM RECEIVING IT IS DEEMED,                  BY RECEIVING IT, TO AGREE THAT IT, AND/OR ANY PART OF IT, SHALL NOT BE DISCLOSED                  TO ANY PERSON, CORPORATION OR OTHER ENTITY, DUPLICATED, AND/OR USED, EXCEPT                  AS EXPRESSLY APPROVED IN WRITING IN ADVANCE BY OWNER. THIS DOCUMENT SHALL                  BE RETURNED TO OWNER UPON REQUEST. IT MAY BE SUBJECT TO CERTAIN                  RESTRICTIONS UNDER APPLICABLE EXPORT CONTROL LAWS AND REGULATIONS.</small>		

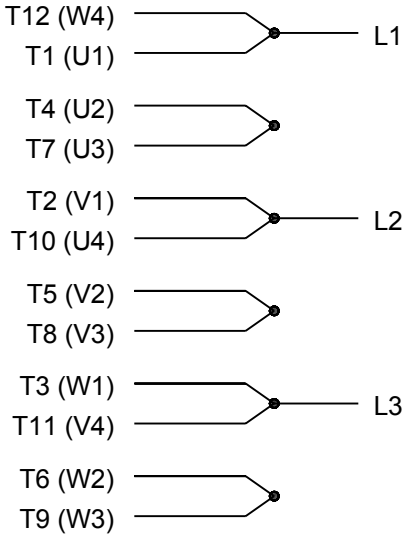
TOLERANCES UNLESS OTHERWISE SPECIFIED:		
DEC.	INCH	mm
.X	+0.1	[+2.5]
.XX	+0.03	[+0.76]
.XXX	+0.005	[+0.127]
.XXXX	+0.0005	[+0.0127]
REMOVE BURRS & BREAK SHARP		
EDGES: .003/.015 [0.076/.381] X 45°		
CORNER FILLETS: R.02 [51]		
MACHINED SURFACES: 200 $\sqrt{\text{mm}}$ 5.1 $\sqrt{\text{INCH}}$		
mm SHOWN IN [BRACKETS]		

DRAWN BY TJW
DATE 10-04-2011
APPROVED BY LMC
DATE 10-05-2011
REFERENCE SS503458
THIRD ANGLE PROJECTION

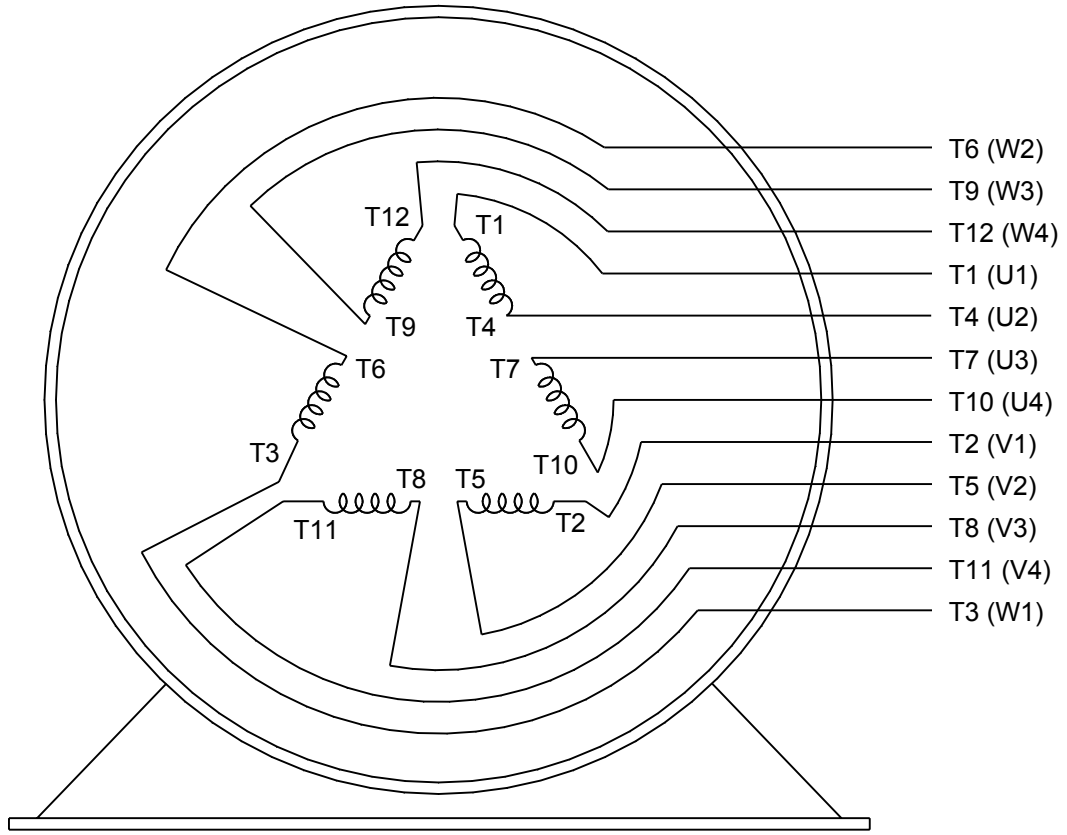
Regal Beloit America, Inc.	
DESCRIPTION <b>OUTLINE</b> 360HP FR. - DR.PR. - P'BASE	
MATERIAL	PROCESS/FINISH
SIZE B	DRAWING NUMBER SS554645
SHEET 1 OF 1	



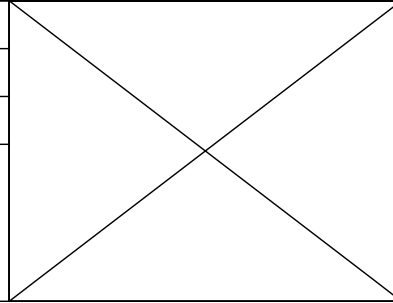
### LOW VOLTAGE



### HIGH VOLTAGE



DRAWING REVISION <b>K</b>	REVISION BY <b>AJW</b>	DATE <b>07-17-2015</b>
ECO <b>ECO-0081632</b>	APPROVED BY <b>T. VUE</b>	DATE <b>07-17-2015</b>
ECO DESCRIPTION <b>REV'D IEC MARKINGS PER IEC 60034-8</b>		
COPYRIGHT REGAL BELOIT AMERICA, INC. ALL RIGHTS RESERVED. PROPRIETARY AND CONFIDENTIAL INFORMATION - THIS DOCUMENT IS THE PROPERTY OF REGAL BELOIT AMERICA, INC. ("OWNER") AND CONTAINS OWNER'S PROPRIETARY INFORMATION. ANY PERSON, CORPORATION OR OTHER FIRM RECEIVING IT IS DEEMED, BY RECEIVING IT, TO AGREE THAT IT, AND/OR ANY PART OF IT, SHALL NOT BE DISCLOSED TO ANY PERSON, CORPORATION OR OTHER ENTITY, DUPLICATED, AND/OR USED, EXCEPT AS EXPRESSLY APPROVED IN WRITING IN ADVANCE BY OWNER. THIS DOCUMENT SHALL BE RETURNED TO OWNER UPON REQUEST. IT MAY BE SUBJECT TO CERTAIN RESTRICTIONS UNDER APPLICABLE EXPORT CONTROL LAWS AND REGULATIONS.		



DRAWN BY <b>LZ</b>	<b>Regal Beloit America, Inc.</b>	
DATE <b>01-12-1994</b>		
APPROVED BY <b>GK</b>	<b>DESCRIPTION</b> <b>CONN DIAGRAM-EXTERNAL</b> <b>3Ø-2/1 DELTA-12 LEADS</b>	
DATE <b>01-14-1994</b>		
REFERENCE	MATERIAL	PROCESS/FINISH
THIRD ANGLE PROJECTION	SIZE <b>A</b>	DRAWING NUMBER <b>EE7308AA</b>
		SHEET <b>1 OF 1</b>

CERTIFICATION DATA SHEET

Model#: 365TTDS16086 AN WINDING#: T365668 NONE 5  
 CONN. DIAGRAM: A-EE7308AA ASSEMBLY: F1/F2 CAPABLE  
 OUTLINE: B-SS554645-1962

TYPICAL MOTOR PERFORMANCE DATA

HP	KW	SYNC. RPM	F.L. RPM	FRAME	ENCLOSURE	KVA CODE	DESIGN
50&40	37&30	1200	1185&982	365HPV	DP	G	B

PH	Hz	VOLTS	FL AMPS	START TYPE	DUTY	INSL	S.F	AMB°C	ELEVATION
3	60/50	230/460#190/ 380	125/62.5&123/ 61.5	PWS(LV ONLY) & YDRUN	CONTINUOUS	F1	1.15/1.15	40	3300

FULL LOAD EFF: 94.1&93.6	3/4 LOAD EFF: 94.1	1/2 LOAD EFF: 93.6	GTD. EFF	ELEC. TYPE	NO LOAD AMPS
FULL LOAD PF: 80&79.5	3/4 LOAD PF: 75	1/2 LOAD PF: 64	93.6	SQ CAGE IND RUN	54 / 27

F.L. TORQUE	LOCKED ROTOR AMPS	L.R. TORQUE	B.D. TORQUE	F.L. RISE°C
222 LB-FT	724 / 362	400 LB-FT 180	550 LB-FT 248	45

SOUND PRESSURE @ 3 FT.	SOUND POWER	ROTOR WK^2	MAX. WK^2	SAFE STALL TIME	STARTS /HOUR	APPROX. MOTOR WGT
69 dBA	79 dBA	15 LB-FT^2	700 LB-FT^2	20 SEC.	2	875 LBS.

\*\*\* SUPPLEMENTAL INFORMATION \*\*\*

DE BRACKET TYPE	ODE BRACKET TYPE	MOUNT TYPE	ORIENTATION	SEVERE DUTY	HAZARDOUS LOCATION	DRIP COVER	SCREENS	PAINT
P-BASE	STANDARD	ROUND	SHAFT DOWN	FALSE	NONE	TRUE	RODENT	BLUE (ENAMEL)

BEARINGS		GREASE	SHAFT TYPE	SPECIAL DE	SPECIAL ODE	SHAFT MATERIAL	FRAME MATERIAL
DE	OPE						
BALL	DUPLEX TANDEM ANGULAR CONTACT	POLYREX EM	HP	NONE	NONE	1045 HOT ROLLED (C-204)	CAST IRON
6312	7312 2						

THERMO-PROTECTORS				THERMISTORS	CONTROL	SPACE /n HEATERS
THERMOSTATS	PROTECTORS	WDG RTDs	BRG RTDs			
NONE	NOT	NONE	NONE	NONE	FALSE	NONE VOLTS

If Inverter equals NONE, contact factory for further information

\*  
N  
O  
T  
E  
S  
\*

INVERTER TORQUE: NONE
INV. HP SPEED RANGE: NONE
ENCODER: NONE
NONE NONE
NONE NONE PPR
BRAKE: NONE NONE
NONE P/N NONE
NONE NONE
NONE FT-LB NONE V NONE Hz

DATE: 06/22/2017 12:36:23 AM  
FORM 3531 REV.3 02/07/99  
\*\* Subject to change without notice.

Data Sheet

365TTDS16086



Submittal  
Data @ 460 V

Date: 6/19/2017

Customer:  
Attention:  
Submitted by:

FAREEDA DUDEKULA

Motor Load Data

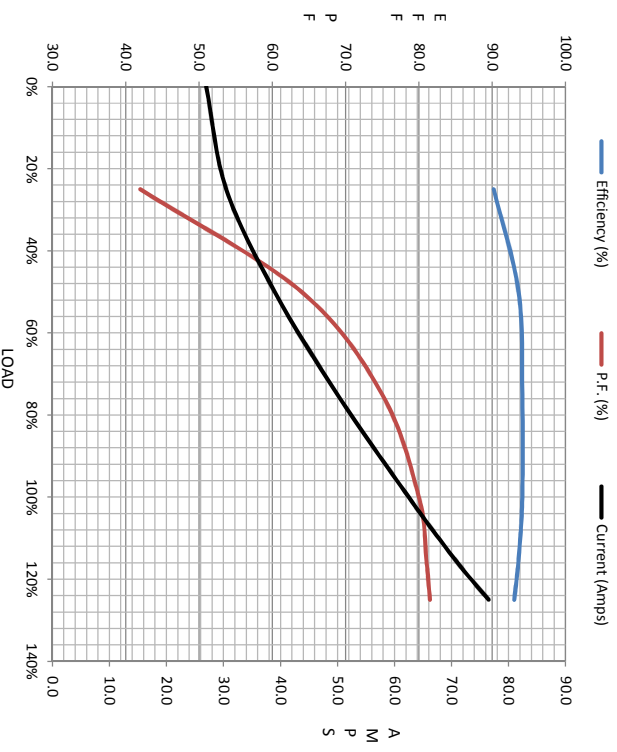
Load	0%	25%	50%	75%	100%	115%	125%	LR
Current (Amps)	27.0	30.5	39.0	50.0	62.5	70.5	76.5	362
Torque (ft-lb)	0.00	55.0	110	166	222	256	278	400
RPM	1200	1195	1192	1188	1185	1,180	1178	0
Efficiency (%)		90.2	93.6	94.1	94.1	93.6	93.0	
P.F. (%)	4.0	42.0	64.0	75.0	80.0	81.0	81.5	34.0

Motor Speed Data

	LR	Pull-Up	BD	Rated	Idle
Speed (rpm)	0	600	1100	1185	1200
Current (Amps)	362	325	225	62.5	27.0
Torque (ft-lb)	400	350	550	222	0.00

Information Block

HP	50.0			
Sync. RPM	1200			
Frame	365			
Enclosure	DP			
Construction	TDS			
Voltage	30/460#190/38 V			
Frequency	60 Hz			
Design	B			
LR Code letter	G			
Service Factor	1.15			
Temp Rise @ FL	45 °C			
Duty	CONT			
Ambient	40 °C			
Elevation	1,000 feet			
Rotor/Shaft wkt	15.0 Lb-Fe			
Ret Wdg	T365668 NONE			
Sound Pressure @ 1M	69 dBA			
VFD Rating	NONE			
Outline Dwg	B-SS5445-1962			
Conn. Diag	A-EET308AA			
Additional Specifications:				
0				
EQUIV CKT (OHMS / PHASE)				
R1	R2	X1	X2	Xm
0.0810	0.0600	0.4450	0.6720	9.7520



Speed -Torque Curve

