

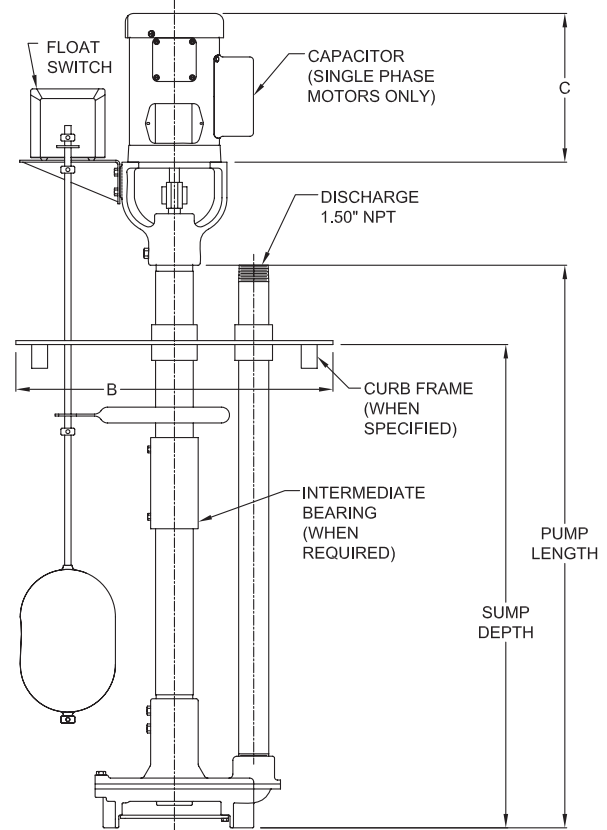
Column Sump Pumps

PUMP NO.		PUMP:		MOTOR:		VOLTS:	
FOR:		TDH:		HP:		HZ:	
CERT. BY:		GPM:		RPM:		FRAME:	
DATE:		SIZE & TYPE:		PHASE:		ENCLOSURE:	
Model		A Pump Length		B Sump Depth		Standard Pump Lengths	
						Pump Length	
						No. Int. Bearings	
SA 2		26"		18" - 24"		0' - 2'	
SA 4		50"		25" - 48"		2' - 4'	
SA 6		72"		49" - 72"		4' - 6'	
SA 8		96"		73" - 96"		6' - 8'	

Motors			
1 Phase	3 Phase	Motor Frame	C
1750 RPM	1750 RPM		
.33	.33	56C	12
.50	.50	56C	12
.75	.75	56C	12

Round Basin Covers					
B Sump	A Cover	E Cover Thick.	Cover Drilled When Specified		
			J	K	L
18	20	.31	4	.44	19.00
24	27	.31	4	.63	25.50
30	34	.31	4	.63	32.50
36	40	.38	4	.63	38.50
42	46	.38	8	.63	44.50
48	52	.50	8	.63	50.50

Round Basin Covers & Manhole					
B Sump	A Cover	E Cover Thick.	J	K	L
24	27	.31	4	.63	25.50
30	34	.31	4	.63	32.50
36	40	.38	4	.63	38.50
42	46	.38	8	.63	44.50
48	52	.50	8	.63	50.50



* Vent & Cover drilling for vapor tight construction only or when specified.
High water alarm when specified.

