



---

# Series 1522

## Uni-Built® Centrifugal Pumps

Replacement Parts

---

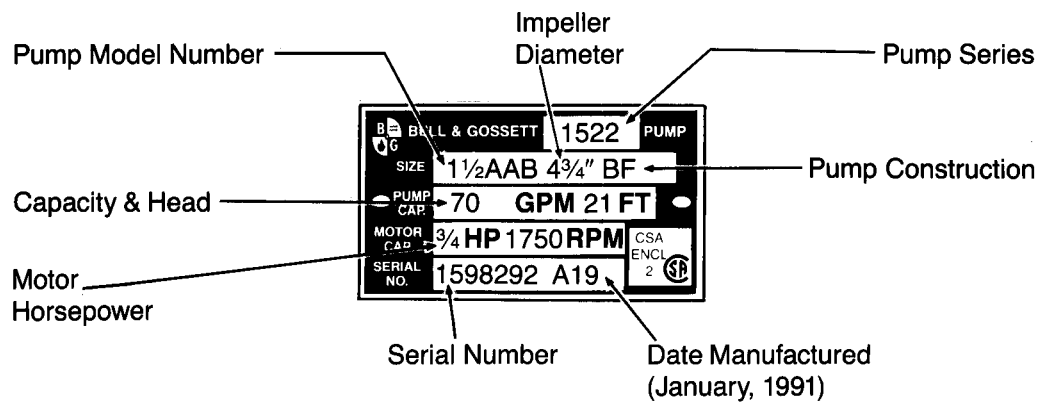


# Index

How To Use This Parts List .....	3
Exploded View – Series 1522 Pumps .....	4
Exploded View –	
Series 1522 Bearing Assembly .....	5
Standard Size Pump Designations .....	6
Series 1522 ¾AAB Replacement Parts .....	7
Series 1522 1AAB Replacement Parts .....	8
Series 1522 1¼AAB Replacement Parts .....	9
Series 1522 1½AAB Replacement Parts .....	10

# How to use this PARTS LIST

The pump nameplate identifies the pump by model number, pump construction and impeller diameter as shown below.



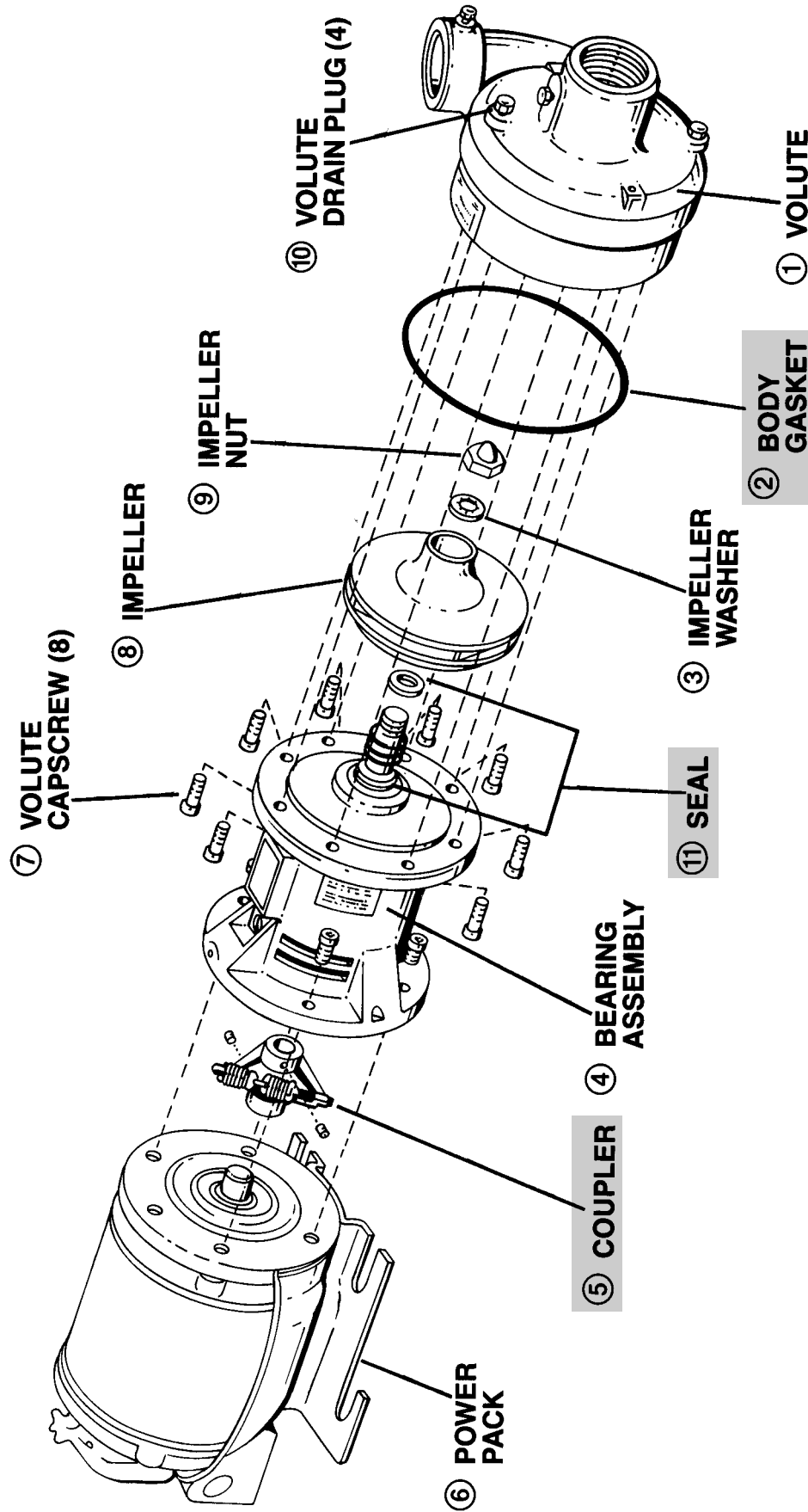
The nameplate above identifies the pump as a Series 1522, size 1 1/2 AAB in bronze-fitted (BF) construction. The impeller diameter is 4 3/4" and is capable of pumping 70 GPM at 21 FT. The motor is 3/4 horsepower, 1750 RPM. The serial number specifically identifies the unit for future reference. **DO NOT REMOVE THE NAMEPLATE.** It is important when ordering replacement parts to furnish complete nameplate data.

To insure the correct parts will be selected, follow the procedure below:

1. Determine from the nameplate the model number, pump construction and impeller diameter.
2. Refer to the index for the page number of the parts breakdown for the specific model pump.
3. Find the proper column in the parts breakdown for the pump construction involved.
4. Select part numbers using the numbered drawings on pages 4 & 5 for identification.

# Series 1522 Pump

Exploded View

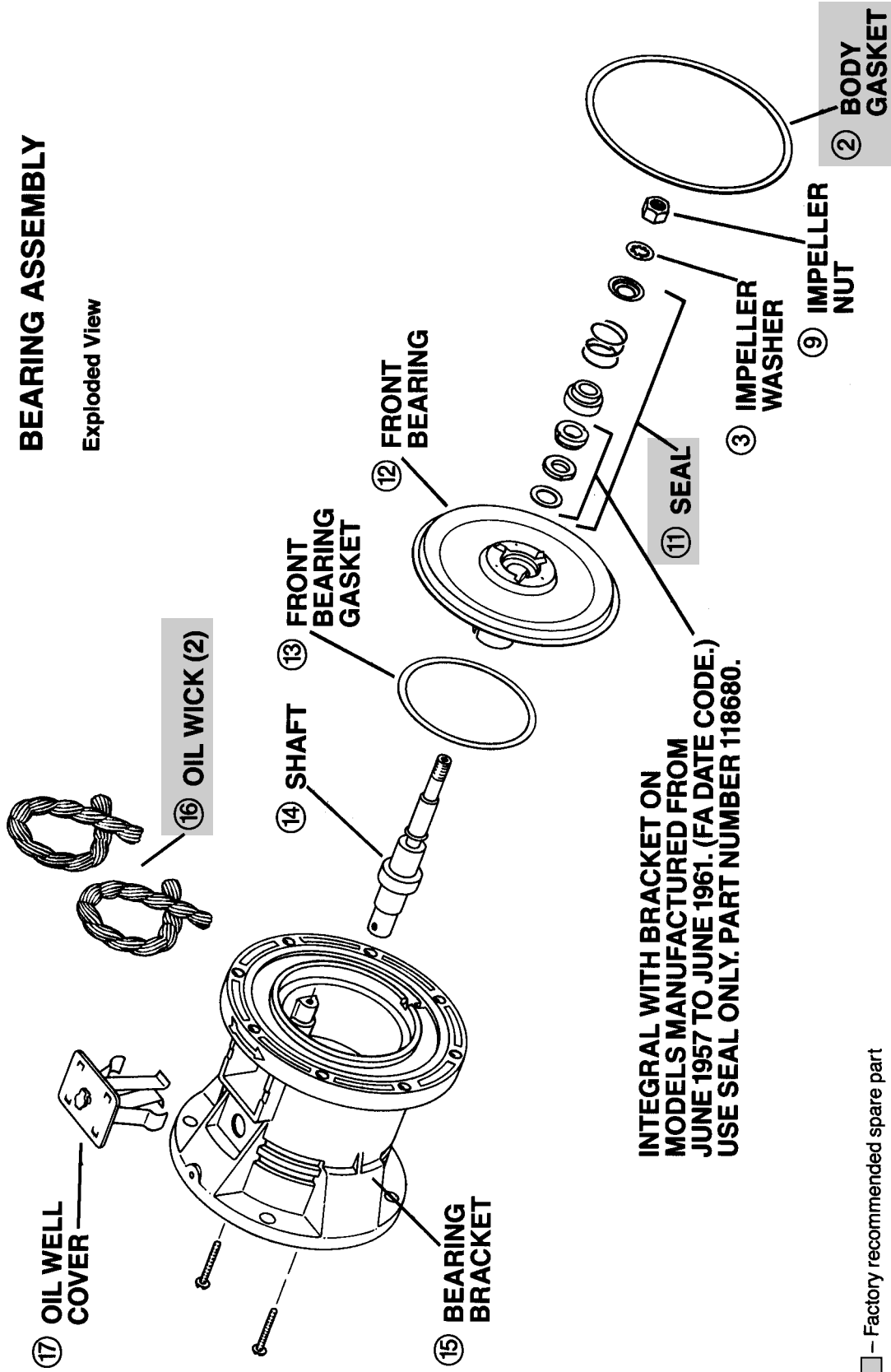


□ - Factory recommended spare part

# Series 1522 Pump

## BEARING ASSEMBLY

Exploded View



## Standard Size Designations

ITEM NO.				6	6		8		5
PUMP SIZE	PART NUMBER	BUILT-TO-ORDER EQUIVALENT SIZE	HP	1 PHASE 115/230	3 PHASE TRI VOLT	RPM	IMPELLER	IMPELLER DIAMETER	COUPLER
1S-1	173014LF	3/4"AAB	1/4	169040+	-	1750	186359LF	5-1/4"	118473
1T-1	173057	3/4"AAB	1/4	-	169042	1750	186359LF	5-1/4"	118473
2S-1	173078LF	1"AAB	1/3	169043	-	1750	186359LF	5-1/4"	118473
2T-1	173079	1"AAB	1/3	-	169045	1750	186359LF	5-1/4"	118473
3S-1	173080LF	1-1/4"AAB	1/2	169047	-	1750	186368	5-1/4"	118473
3T-1	173081LF	1-1/4"AAB	1/2	-	169049	1750	186368	5-1/4"	118473
4S	173082LF	1-1/2" AAB	3/4	169051	-	1750	118626LF	5-1/4"	118473
4T	173083LF	1-1/2" AAB	3/4	-	169053	1750	118626LF	5-1/4"	118473
5S-1	Obsolete	3/4"AAB	1/2	169048	-	3450	186363	4"	118709
5T-1	Obsolete	3/4"AAB	1/2	-	169050	3450	186363	4"	118709
6S-1	Obsolete	1"AAB	3/4	169052	-	3450	186366LF	3-7/8"	118709
6T-1	Obsolete	1"AAB	3/4	-	169054	3450	186366LF	3-7/8"	118709
7S-1	Obsolete	3/4"AAB	3/4	169052	-	3450	186362LF	4-3/8"	118709
7T-1	Obsolete	3/4"AAB	3/4	-	169054	3450	186362LF	4-3/8"	118709
8S-1	Obsolete	1-1/4"AAB	1	169055	-	3450	186371LF	3-5/8"	118709
8T-1	Obsolete	1-1/4"AAB	1	-	169056	3450	186371LF	3-5/8"	118709
9S-1	Obsolete	3/4"AAB	1-1/2	169057	-	3450	186360LF	5-3/16"	118709
9T-1	Obsolete	3/4"AAB	1-1/2	-	169058	3450	186360LF	5-3/16"	118709
11T	Obsolete	1-1/2" AAB	2	-	169060	3450	186373LF	3-15/16"	118709
12S-1	Obsolete	3/4"AAB	1	169055	-	3450	186361LF	4-11/16"	118709
12T-1	Obsolete	3/4"AAB	1	-	169056	3450	186361LF	4-11/16"	118709
14S	Obsolete	3/4"AAB	1/3	169044	-	3450	186364LF	3-7/16"	118709
14T	Obsolete	3/4"AAB	1/3	-	169046	3450	186364LF	3-7/16"	118709
15T-1	Obsolete	1"AAB	2	-	169060	3450	186359LF	5-1/4"	118709
16S-1	Obsolete	1-1/4"AAB	1-1/2	169057	-	3450	186370LF	4-1/8"	118709
16T-1	Obsolete	1-1/4"AAB	1-1/2	-	169058	3450	186370LF	4-1/8"	118709
17S	Obsolete	1-1/2" AAB	1-1/2	169057	-	3450	186375LF	3-11/16"	118709
17T	Obsolete	1-1/2" AAB	1-1/2	-	169058	3450	186375LF	3-11/16"	118709

+115V. For 230V, use 169041.

- Factory recommended spare parts.

# 3/4AAB

ITEM NO.	DESCRIPTION	BRONZE FITTED	ALL BRONZE	ALL IRON	SS*	BFE
1	Volute	186074	186333LF	186074	N/A	186074
10	Volute Drain Plug (4)	P39020	P39470	P39020	P39030	P39020
7	Volute Capscrew (8)	P10620	P01850	P10620	P00660	P10620
8	Impeller (State Diameter)	P56550	P56550	P60350 <sup>†</sup>	N/A	P56550
4	Bearing Assembly **	186863LF	186863LF	186865	N/A	P10316***
	Consisting of:					
15	Bearing Bracket	P77179	P77179	P77179	P77198	P77179
12	Front Bearing	P77216	P77216	P77215	P77217	P77216
13	Front Bearing Gasket	P80816	P80816	P80816	P80816	P80816
14	Shaft	189035LF	189035LF	P81960	N/A	189035LF
11	Seal	118681LF	118681LF	186681LF	186875	185230LF
2	Body Gasket	P57410	P57410	P57410	P57410	P57410
	Impeller Key	P04940	P04940	P04940	P04945	P04940
9	Impeller Nut	P2000236	P2000236	P04670	P00651	P2000236
3	Impeller Washer	P57000	P57000	P04650	P04660	P57000
17	Oil Well Cover	P81239	P81239	P81239	P81239	P81239
16	Oil Wick	118395	118395	118395	118395	118395
	Flat Head Capscrew (4)	NONE	NONE	NONE	P51190	NONE
	Coverplate	NONE	NONE	NONE	P09421	NONE

<sup>†</sup>Steel Impeller

\*For replacement parts purposes only. 1522 pumps no longer available in stainless steel option.

\*\*Consult factory if parts are needed for the 118478, 118479 or 118480 bearing assembly.

\*\*\*Does not include the Body Gasket, Impeller Nut or Impeller Washer.

N/A - No Longer Available

## COUPLERS

PUMP SHAFT SIZE	FRAME SIZE	MOTOR SHAFT SIZE	STANDARD COUPLER 5	EXPLOSION PROOF COUPLER
1/2"	B&G	1/2"	118473	P77234
1/2"	B&G	5/8"	118709	118635
1/2"	56	5/8"	118709	118635

## POWER PACKS ITEM NO. 6

HP	1 PHASE 1750 RPM	1 PHASE 3450 RPM <sup>▼</sup>	3 PHASE 1750 RPM	3 PHASE 3450 RPM <sup>▼</sup>	RING MOUNTS
1/4	169040+	NONE	169042	NONE	118228
1/3	169043	169044	169045	169046	118228
1/2	169047	169048	169049	169050	118228
3/4	169051	169052	169053	169054	118228
1	NONE	169055	NONE	169056	NONE
1-1/2	NONE	169057	NONE	169058	NONE
2	NONE	N/A	NONE	169060	NONE

+115V. For 230V, use 169041.

<sup>▼</sup>For replacement purposes only. 1522 pumps no longer available with 3450 RPM motors.

N/A - No Longer Available

■ - Factory recommended spare parts.

# 1AAB

ITEM NO.	DESCRIPTION	BRONZE FITTED	ALL BRONZE	ALL IRON	SS*	BFE
1	Volute	186075	P2000016	186075	N/A	186075
10	Volute Drain Plug (4)	P39020	P39470	P39020	P39030	P39020
7	Volute Capscrew (8)	P10620	P01850	P10620	P00660	P10620
8	Impeller (State Diameter)	P56550	P56550	P60350 <sup>†</sup>	N/A	P56550
4	Bearing Assembly **	186863LF	186863LF	186865	N/A	P10316***
	Consisting of:					
15	Bearing Bracket	P77179	P77179	P77179	P77198	P77179
12	Front Bearing	P77216	P77216	P77215	P77217	P77216
13	Front Bearing Gasket	P80816	P80816	P80816	P80816	P80816
14	Shaft	189035LF	189035LF	P81960	N/A	189035LF
11	Seal	118681LF	118681LF	186681LF	186875	185230LF
2	Body Gasket	P57410	P57410	P57410	P57410	P57410
	Impeller Key	P04940	P04940	P04940	P04945	P04940
9	Impeller Nut	P2000236	P2000236	P04670	P00651	P2000236
3	Impeller Washer	P57000	P57000	P04650	P04660	P57000
17	Oil Well Cover	P81239	P81239	P81239	P81239	P81239
16	Oil Wick	118395	118395	118395	118395	118395
	Flat Head Capscrew (4)	NONE	NONE	NONE	P51190	NONE
	Coverplate	NONE	NONE	NONE	P09421	NONE

<sup>†</sup>Steel Impeller

\*For replacement parts purposes only. 1522 pumps no longer available in stainless steel option.

\*\*Consult factory if parts are needed for the 118478, 118479 or 118480 bearing assembly.

\*\*\*Does not include the Body Gasket, Impeller Nut or Impeller Washer.

N/A - No Longer Available

## COUPLERS

PUMP SHAFT SIZE	FRAME SIZE	MOTOR SHAFT SIZE	STANDARD COUPLER 5	EXPLOSION PROOF COUPLER
1/2"	B&G	1/2"	118473	P77234
1/2"	B&G	5/8"	118709	118635
1/2"	56	5/8"	118709	118635

## POWER PACKS ITEM NO. 6

HP	1 PHASE 1750 RPM	1 PHASE 3450 RPM <sup>▼</sup>	3 PHASE 1750 RPM	3 PHASE 3450 RPM <sup>▼</sup>	RING MOUNTS
1/4	169040+	NONE	169042	NONE	118228
1/3	169043	169044	169045	169046	118228
1/2	169047	169048	169049	169050	118228
3/4	169051	169052	169053	169054	118228
1	NONE	169055	NONE	169056	NONE
1-1/2	NONE	169057	NONE	169058	NONE
2	NONE	N/A	NONE	169060	NONE

+115V. For 230V, use 169041.

<sup>▼</sup>For replacement purposes only. 1522 pumps no longer available with 3450 RPM motors.

N/A - No Longer Available

■ - Factory recommended spare parts.



# 1-1/4AAB

ITEM NO.	DESCRIPTION	BRONZE FITTED	ALL BRONZE	ALL IRON	SS*	BFE
1	Volute	186081	P2000018	186081	N/A	186081
10	Volute Drain Plug (4)	P39020	P39470	P39020	P39030	P39020
7	Volute Capscrew (8)	P10620	P01850	P10620	P00660	P10620
8	Impeller (State Diameter)	P56740	P56740	P61010 <sup>†</sup>	N/A	P56740
4	Bearing Assembly **	186863LF	186863LF	186865	N/A	P10316***
	Consisting of:					
15	Bearing Bracket	P77179	P77179	P77179	P77198	P77179
12	Front Bearing	P77216	P77216	P77215	P77217	P77216
13	Front Bearing Gasket	P80816	P80816	P80816	P80816	P80816
14	Shaft	189035	189035	P81960	N/A	189035
11	Seal	118681LF	118681LF	186681LF	186875	185230
2	Body Gasket	P57410	P57410	P57410	P57410	P57410
	Impeller Key	P04940	P04940	P04940	P04945	P04940
9	Impeller Nut	P2000236	P2000236	P04670	P00651	P2000236
3	Impeller Washer	P57000	P57000	P04650	P04660	P57000
17	Oil Well Cover	P81239	P81239	P81239	P81239	P81239
16	Oil Wick	118395	118395	118395	118395	118395
	Flat Head Capscrew (4)	NONE	NONE	NONE	P51190	NONE
	Coverplate	NONE	NONE	NONE	P09421	NONE

<sup>†</sup>Steel Impeller

\*For replacement parts purposes only. 1522 pumps no longer available in stainless steel option.

\*\*Consult factory if parts are needed for the 118478, 118479 or 118480 bearing assembly.

\*\*\*Does not include the Body Gasket, Impeller Nut or Impeller Washer.

N/A - No Longer Available

## COUPLERS

PUMP SHAFT SIZE	FRAME SIZE	MOTOR SHAFT SIZE	STANDARD COUPLER 5	EXPLOSION PROOF COUPLER
1/2"	B&G	1/2"	118473	P77234
1/2"	B&G	5/8"	118709	118635
1/2"	56	5/8"	118709	118635

## POWER PACKS ITEM NO. 6

HP	1 PHASE 1750 RPM	1 PHASE 3450 RPM <sup>▼</sup>	3 PHASE 1750 RPM	3 PHASE 3450 RPM <sup>▼</sup>	RING MOUNTS
1/4	169040+	NONE	169042	NONE	118228
1/3	169043	169044	169045	169046	118228
1/2	169047	169048	169049	169050	118228
3/4	169051	169052	169053	169054	118228
1	NONE	169055	NONE	169056	NONE
1-1/2	NONE	169057	NONE	169058	NONE
2	NONE	N/A	NONE	169060	NONE

+115V. For 230V, use 169041.

<sup>▼</sup> For replacement purposes only. 1522 pumps no longer available with 3450 RPM motors.

N/A - No Longer Available

■ - Factory recommended spare parts.

# 1-1/2AAB

ITEM NO.	DESCRIPTION	BRONZE FITTED	ALL BRONZE	ALL IRON	SS*	BFE
1	Volute	186087	186334	186087	N/A	186087
10	Volute Drain Plug (4)	P39020	P39470	P39020	P39030	P39020
7	Volute Capscrew (8)	P10620	P01850	P10620	P00660	P10620
8	Impeller (State Diameter)	P56810	P56810	P61550 <sup>†</sup>	N/A	P56810
4	Bearing Assembly **	186863LF	186863LF	186865	N/A	P10316***
	Consisting of:					
15	Bearing Bracket	P77179	P77179	P77179	P77198	P77179
12	Front Bearing	P77216	P77216	P77215	P77217	P77216
13	Front Bearing Gasket	P80816	P80816	P80816	P80816	P80816
14	Shaft	189035	189035	P81960	N/A	189035
11	Seal	118681LF	118681LF	186681LF	186875	185230
2	Body Gasket	P57410	P57410	P57410	P57410	P57410
	Impeller Key	P04940	P04940	P04940	P04945	P04940
9	Impeller Nut	P2000236	P2000236	P04670	P00651	P2000236
3	Impeller Washer	P57000	P57000	P04650	P04660	P57000
17	Oil Well Cover	P81239	P81239	P81239	P81239	P81239
16	Oil Wick	118395	118395	118395	118395	118395
	Flat Head Capscrew (4)	NONE	NONE	NONE	P51190	NONE
	Coverplate	NONE	NONE	NONE	P09421	NONE

<sup>†</sup>Steel Impeller

\*For replacement parts purposes only. 1522 pumps no longer available in stainless steel option.

\*\*Consult factory if parts are needed for the 118478, 118479 or 118480 bearing assembly.

\*\*\*Does not include the Body Gasket, Impeller Nut or Impeller Washer.

N/A - No Longer Available

## COUPLERS

PUMP SHAFT SIZE	FRAME SIZE	MOTOR SHAFT SIZE	STANDARD COUPLER 5	EXPLOSION PROOF COUPLER
1/2"	B&G	1/2"	118473	P77234
1/2"	B&G	5/8"	118709	118635
1/2"	56	5/8"	118709	118635

## POWER PACKS ITEM NO. 6

HP	1 PHASE 1750 RPM	1 PHASE 3450 RPM <sup>▼</sup>	3 PHASE 1750 RPM	3 PHASE 3450 RPM <sup>▼</sup>	RING MOUNTS
1/4	169040+	NONE	169042	NONE	118228
1/3	169043	169044	169045	169046	118228
1/2	169047	169048	169049	169050	118228
3/4	169051	169052	169053	169054	118228
1	NONE	169055	NONE	169056	NONE
1-1/2	NONE	169057	NONE	169058	NONE
2	NONE	N/A	NONE	169060	NONE

+115V. For 230V, use 169041.

<sup>▼</sup>For replacement purposes only. 1522 pumps no longer available with 3450 RPM motors.

N/A - No Longer Available

- Factory recommended spare parts.

# Xylem |'zīləm|

- 1) The tissue in plants that brings water upward from the roots;
- 2) a leading global water technology company.

We're 12,700 people unified in a common purpose: creating innovative solutions to meet our world's water needs. Developing new technologies that will improve the way water is used, conserved, and re-used in the future is central to our work. We move, treat, analyze, and return water to the environment, and we help people use water efficiently, in their homes, buildings, factories and farms. In more than 150 countries, we have strong, long-standing relationships with customers who know us for our powerful combination of leading product brands and applications expertise, backed by a legacy of innovation.

**For more information on how Xylem can help you, go to [www.xylem.com](http://www.xylem.com)**



Xylem Inc.  
8200 N. Austin Avenue  
Morton Grove, Illinois 60053  
Phone: (847) 966-3700  
Fax: (847) 965-8379  
[www.bellgossett.com](http://www.bellgossett.com)

Bell & Gossett is a trademark of Xylem Inc. or one of its subsidiaries.  
© 2013 Xylem Inc. CP-302F-PL May 2010