

# PRODUCT INFORMATION PACKET

**marathon**<sup>®</sup>  
Motors

Model No: 405TSTDCD6060  
Catalog No: GT0088  
125,1800,DP,405TS,3/60/460PWS  
Open Drip Proof (ODP)



Regal and Marathon are trademarks of Regal Beloit Corporation or one of its affiliated companies.  
©2018 Regal Beloit Corporation, All Rights Reserved. MC017097E

**REGAL**<sup>®</sup>



### Nameplate Specifications

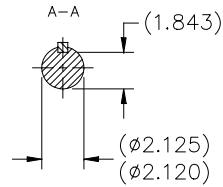
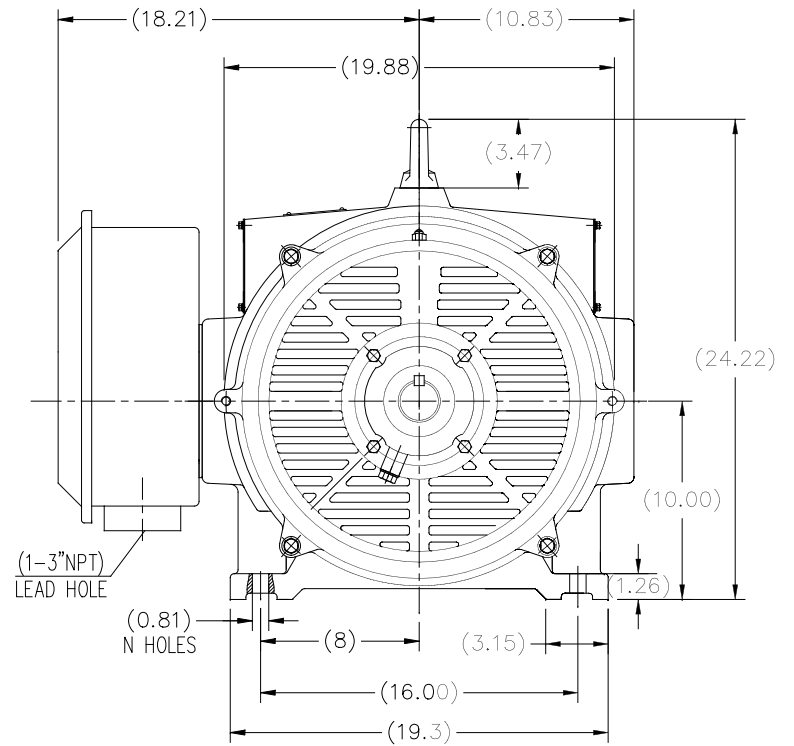
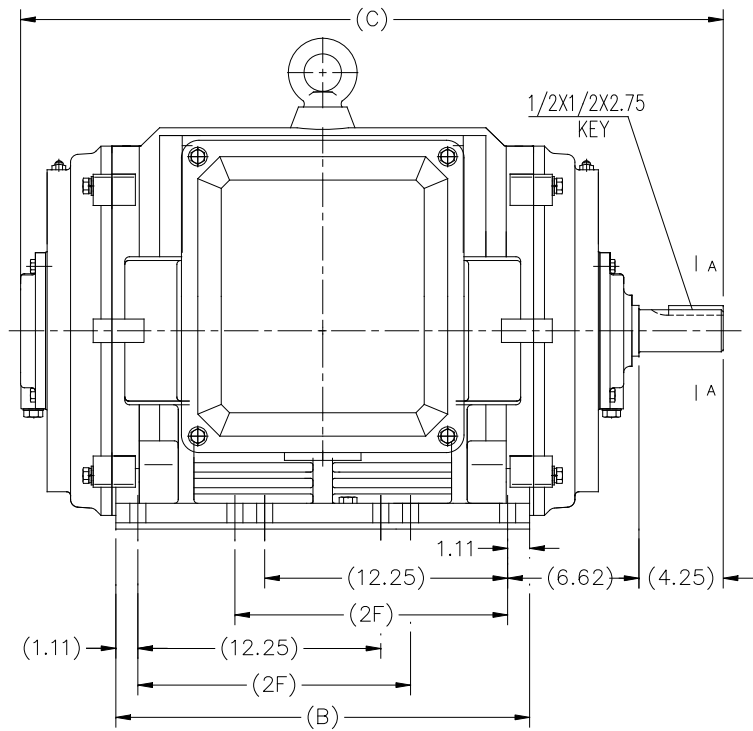
Output HP	<b>125 Hp</b>	Output KW	<b>93.0 kW</b>
Frequency	<b>60 Hz</b>	Voltage	<b>460 V</b>
Current	<b>142.0 A</b>	Speed	<b>1785 rpm</b>
Service Factor	<b>1.15</b>	Phase	<b>3</b>
Efficiency	<b>95.4 %</b>	Duty	<b>Continuous</b>
Insulation Class	<b>F</b>	Design Code	<b>B</b>
KVA Code	<b>G</b>	Frame	<b>405TS</b>
Enclosure	<b>Drip Proof</b>	Overload Protector	<b>No</b>
Ambient Temperature	<b>40 °C</b>	Drive End Bearing Size	<b>6316</b>
Opp Drive End Bearing Size	<b>6315</b>	UL	<b>Recognized</b>
CSA	<b>Y</b>	CE	<b>Y</b>
IP Code	<b>22</b>		

### Technical Specifications

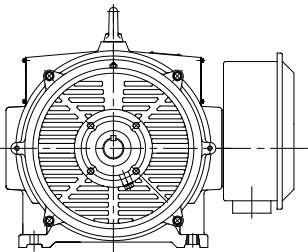
Electrical Type	<b>Squirrel Cage Inverter Rated</b>	Starting Method	<b>Part Wdg Start Or Inverter</b>
Poles	<b>4</b>	Rotation	<b>Reversible</b>
Mounting	<b>Rigid base</b>	Motor Orientation	<b>Horizontal</b>
Drive End Bearing	<b>Ball</b>	Opp Drive End Bearing	<b>Ball</b>
Frame Material	<b>Cast Iron</b>	Shaft Type	<b>T</b>
Frame Length	<b>21.26 in</b>	Shaft Diameter	<b>2.125 in</b>
Shaft Extension	<b>4.25 in</b>	Assembly/Box Mounting	<b>F1/F2 Capable</b>
Outline Drawing	<b>SS620752</b>	Connection Diagram	<b>EE7341C</b>

This is an uncontrolled document once printed or downloaded and is subject to change without notice. Date Created: 07/02/2018

SS620752



F2 MOUNTING



404TS	33.86	19.29	N/A	8 HOLES
405TS	35.44	20.87	13.75	12 HOLES
Frame	C	B	2F	N HOLES

TOLERANCES UNLESS SPECIFIED		REGAL REGAL-BELOIT CORPORATION		DRAWN WY 07-21-2016	
DEC.	INCHES	CHK		CHK	
.X	±.1			APPD	
.XX	±.03			SCALE	NONE
.XXX	±.005			REF	
.XXXX	±.0005			FINISH	WUXI
ANG	±7'30"			PREV	
NO.	REVISION	BY & DATE	CHK	RFP	CAD FILE SS620752
THIS DRAWING IN DESIGN AND DETAIL IS OUR PROPERTY AND MUST NOT BE USED EXCEPT IN CONNECTION WITH OUR WORK ALL RIGHTS OF DESIGN AND INVENTION ARE RESERVED THIS IS AN ELECTRONICALLY GENERATED DOCUMENT - DO NOT SCALE THIS PRINT				SIZE	DRAWING NO. PAGE 1 OF 1 REV.
				B	SS620752

EE7341C

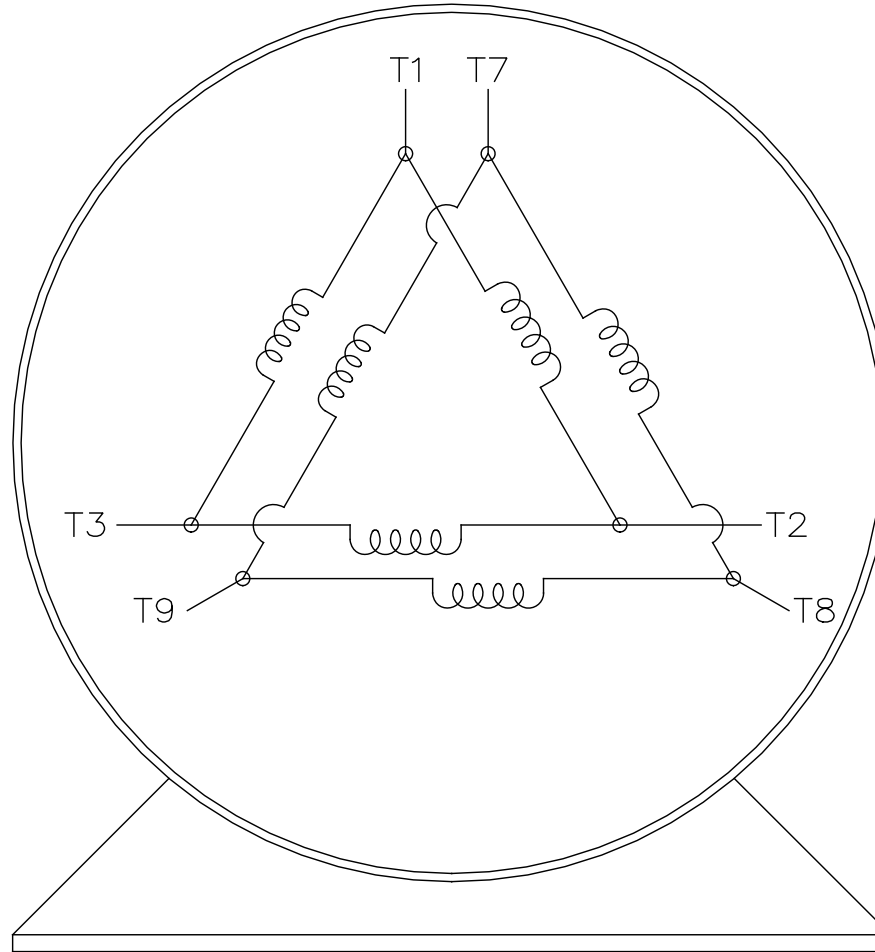
THREE PHASE – PART WINDING START  
DELTA – 6 LEADS

START


- CONNECT T1 TO LINE 1
- CONNECT T2 TO LINE 2
- CONNECT T3 TO LINE 3
- T7–T8–T9 OPEN

RUN

- CONNECT T1&T7 TO LINE 1
- CONNECT T2&T8 TO LINE 2
- CONNECT T3&T9 TO LINE 3



VIEW OF TERMINAL END

		TOLERANCES UNLESS SPECIFIED		 <b>REGAL - BELOIT CORPORATION</b>		DRAWN/BLR 03-09-1998					
		DEC.	INCHES			CHK	ML	03-23-1998			
		.X	± -			APPD	GK	03-23-1998			
		.XX	± -			TITLE		SCALE	1=1		
			.XXX	± -	3Ø – 6 LEADS		REF				
D	RE-DRAWN WITH REGAL LOGO ECO-0110493	WGJ 09-30-2016	EMH	.XXXX	± -	MAT'L.	FMF				
NO.	REVISION	BY & DATE	CHK	ANG	± -	FINISH	PREV				
THIS DRAWING IN DESIGN AND DETAIL IS OUR PROPERTY AND MUST NOT BE USED EXCEPT IN CONNECTION WITH OUR WORK ALL RIGHTS OF DESIGN AND INVENTION ARE RESERVED THIS IS AN ELECTRONICALLY GENERATED DOCUMENT – DO NOT SCALE THIS PRINT				RFP	CAD FILE EE7341C		SIZE	DRAWING NO.	PAGE	OF	REV.
				DIST			A	EE7341C			D



**P.O. BOX 8003  
WAUSAU, WI 54401-8003  
PH. 715-675-3311**

**CERTIFICATION DATA SHEET**

**CUSTOMER:** CUSTOMER PO #:  
**ORDER #:** MODEL #: 405TSTDCC6060 AA  
**CONN. DIAGRAM:** EE7341C CUSTOMER PART #:  
**OUTLINE:** SS620752 MOUNTING: F1/F2 CAPABLE  
**WINDING #:** HE32504009 1

**TYPICAL MOTOR PERFORMANCE DATA**

HP	KW	SYNC. RPM	F.L. RPM	FRAME	ENCLOSURE	KVA CODE	DESIGN	
125&100	93.0&75.0	1800	1785&1485	405TS	DP	G	B	
PH	Hz	VOLTS	AMPS	START TYPE	DUTY	INSL	S.F.	AMB°C
3	60/50	460&8380	142&138	PWS OR INVERTER	CONTINUOUS	F7	1.15/1.15	40

<b>FULL LOAD EFF:</b>	95.4&895	<b>3/4 LOAD EFF:</b>	95.4	<b>1/2 LOAD EFF:</b>	95	<b>GTD. EFF</b>	95	<b>ELEC. TYPE</b>
<b>FULL LOAD PF:</b>	86.5&86.5	<b>3/4 LOAD PF:</b>	83.8	<b>1/2 LOAD PF:</b>	76	<b>SQ CAGE INV RATED</b>		

F.L. TORQUE	LOCKED ROTOR AMPS	L.R. TORQUE	B.D. TORQUE	F.L. RISE°C
368 LB-FT	900	699 LB-FT	190 %	920 LB-FT
			250 %	40

SOUND PRESSURE @ 3 FT.	SOUND POWER	ROTOR WK^2	MAX. WK^2	SAFE STALL TIME	STARTS / HOUR	APPROX. MOTOR WGT
78 DBA	88 DBA	35 LB-FT^2	650 LB-FT^2	20 SEC.	2	1300 LBS.

**\*\*\* SUPPLEMENTAL INFORMATION \*\*\***

DE BRACKET TYPE	ODE BRACKET TYPE	MOUNT TYPE	ORIENTATION	SEVERE DUTY	HAZARDOUS LOCATION	DRIP COVER	SCREENS	PAINT
STANDARD	STANDARD	RIGID	HORIZONTAL	FALSE	NONE	FALSE	NONE	BLUE (ENAMEL)

BEARINGS		GREASE	SHAFT TYPE	SPECIAL DE	SPECIAL ODE	SHAFT MATERIAL	FRAME MATERIAL
DE	ODE						
BALL	BALL	POLYREX EM	T	NONE	NONE	1045 HOT ROLLED (C-204)	CAST IRON
6316	6315						

THERMO-PROTECTORS				THERMISTORS			CONTROL		SPACE HEATERS	
THERMOSTATS	PROTECTORS	WDG RTDS	BRG RTDS	NONE	FALSE	NONE	NONE	NONE	NONE	VOLTS
NONE	NOT	NONE	NONE							

<b>* INVERTER TORQUE:</b>	VARIABLE 10:1
<b>INV. HP SPEED RANGE:</b>	NONE
<b>ENCODER:</b>	NONE
<b>O</b>	NONE
<b>T</b>	NONE
<b>E</b>	PPR
<b>S</b>	NONE
<b>* BRAKE:</b>	NONE
<b>T</b>	NONE
<b>E</b>	P/N NONE
<b>S</b>	NONE
<b>* FT-LB</b>	NONE
<b>V</b>	NONE
<b>Hz</b>	

**PREPARED BY:** Anusha Muthyala  
**DATE:** 06/07/2018 07:42:34 AM  
**FORM** 3531 REV.3 02/07/99  
**\*\*** Subject to change without notice.

**MARATHON ELECTRIC CORPORATION**

TYPICAL PERFORMANCE CURVE for AC MOTOR

Customer

Curve at

460

Volts

HP 125&100

PHASE 3

Model No 405TSTD6060

60

HZ

125

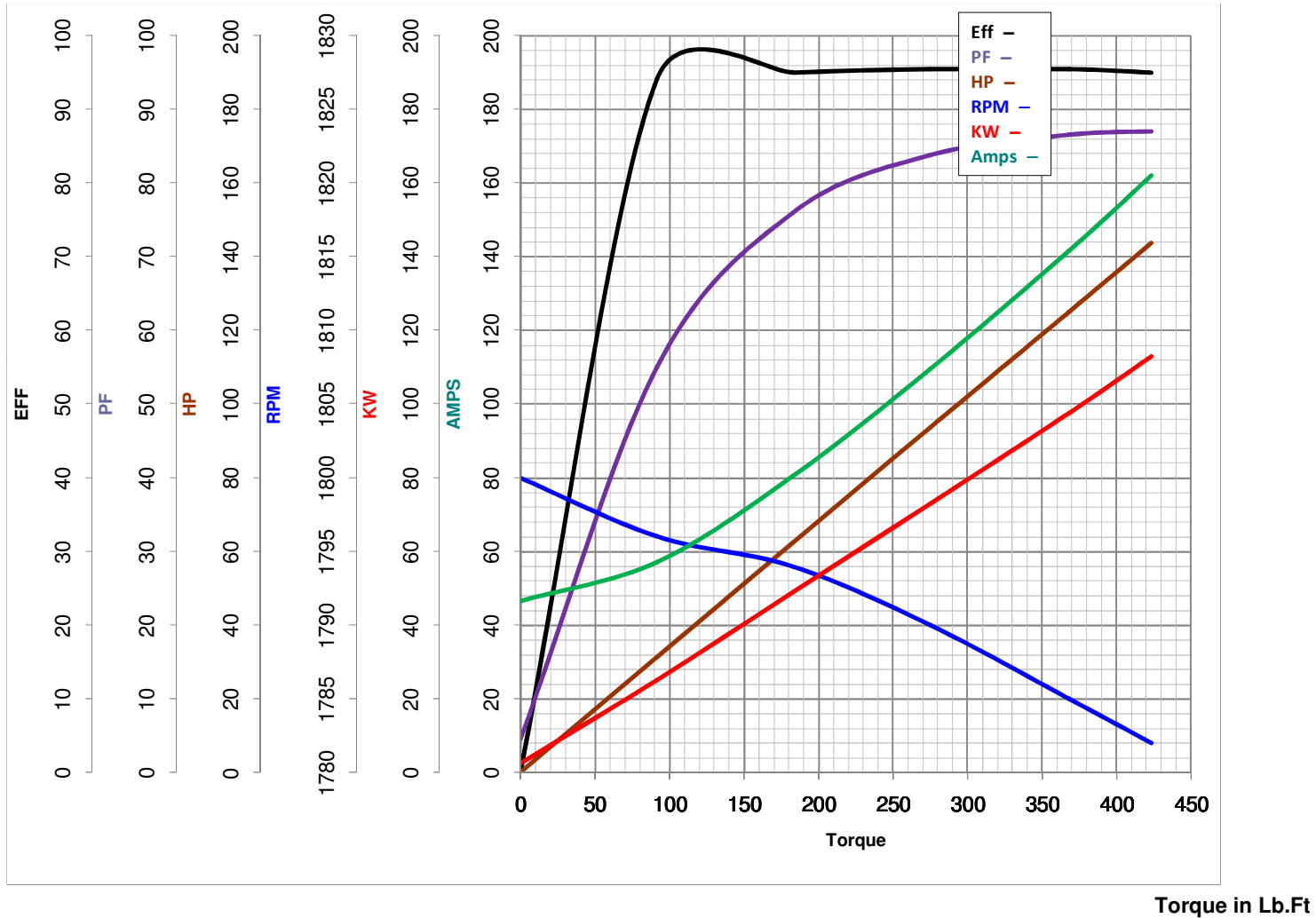
HP

VOLTS 460&380

Catalog No GT0088

HZ 60&50

RPM 1785&1485



FL TORQUE 368 Lb.Ft  
 BD TORQUE 920.0 Lb.Ft  
 LR TORQUE 699 Lb.Ft

FL AMPS 142  
 PU TORQUE 590.0 Lb.Ft  
 LR AMPS 900

WINDING HE32504009-1

Date 6/7/2018