

PRODUCT INFORMATION PACKET

marathon[®]
Motors

Model No: 405TTDCD6060
Catalog No: GT0049A
125,1800,DP,405T,3/60/460PWS
Open Drip Proof (ODP)



Regal and Marathon are trademarks of Regal Beloit Corporation or one of its affiliated companies.
©2018 Regal Beloit Corporation, All Rights Reserved. MC017097E

REGAL[®]



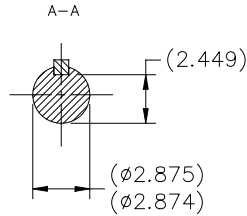
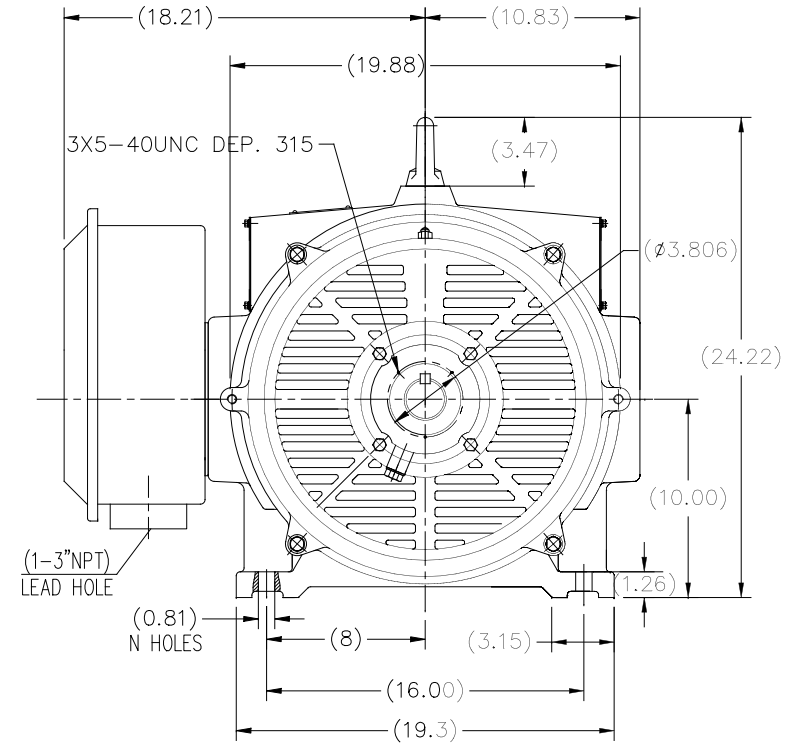
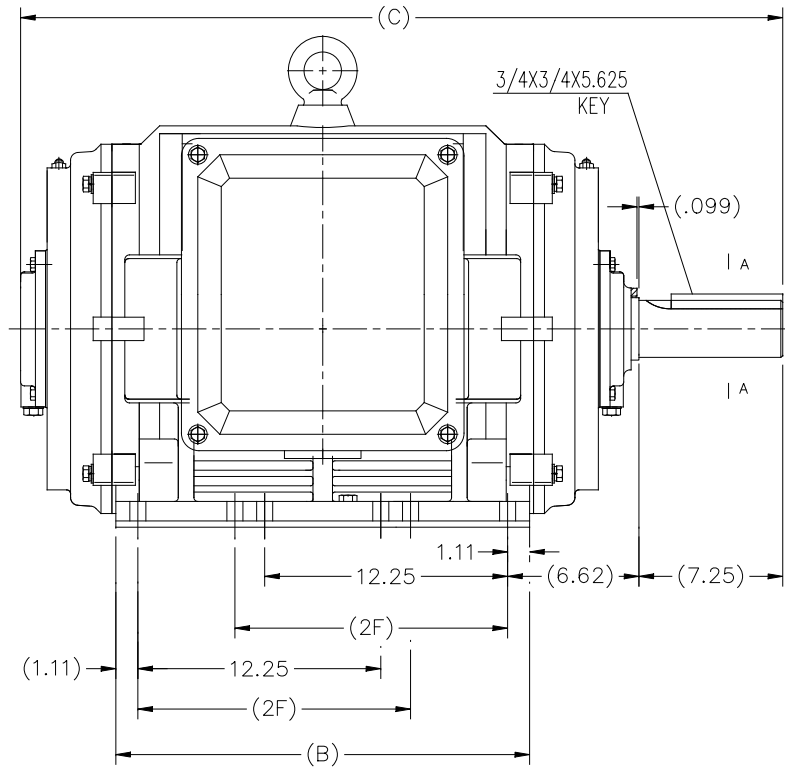
Nameplate Specifications

| | | | |
|----------------------------|-------------------|------------------------|-------------------|
| Output HP | 125 Hp | Output KW | 93.0 kW |
| Frequency | 60 Hz | Voltage | 460 V |
| Current | 142.0 A | Speed | 1785 rpm |
| Service Factor | 1.15 | Phase | 3 |
| Efficiency | 95.4 % | Duty | Continuous |
| Insulation Class | F | Design Code | B |
| KVA Code | G | Frame | 405T |
| Enclosure | Drip Proof | Overload Protector | No |
| Ambient Temperature | 40 °C | Drive End Bearing Size | 6316 |
| Opp Drive End Bearing Size | 6315 | UL | Recognized |
| CSA | Y | CE | Y |
| IP Code | 22 | | |

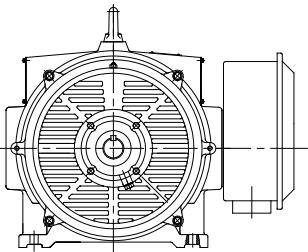
Technical Specifications

| | | | |
|-------------------|-------------------------------------|-----------------------|-----------------------------------|
| Electrical Type | Squirrel Cage Inverter Rated | Starting Method | Part Wdg Start Or Inverter |
| Poles | 4 | Rotation | Reversible |
| Mounting | Rigid base | Motor Orientation | Horizontal |
| Drive End Bearing | Ball | Opp Drive End Bearing | Ball |
| Frame Material | Cast Iron | Shaft Type | T |
| Overall Length | 38.78 in | Shaft Diameter | 2.875 in |
| Shaft Extension | 7.25 in | Assembly/Box Mounting | F1/F2 Capable |
| Outline Drawing | SS620754-405T | Connection Diagram | EE7341C |

This is an uncontrolled document once printed or downloaded and is subject to change without notice. Date Created: 06/29/2018



F2 MOUNTING



| | | | | |
|-------|-------|-------|-------|----------|
| 404T | 37.20 | 19.29 | N/A | 8 HOLES |
| 405T | 38.78 | 20.87 | 13.75 | 12 HOLES |
| Frame | C | B | 2F | N HOLES |

| TOLERANCES UNLESS SPECIFIED | | REGAL REGAL-BELOIT CORPORATION | | DRAWN WY 07-21-2016 | |
|--|-------------|--------------------------------|-------------|---------------------|-------------|
| DEC. | INCHES | CHK | APPD | SCALE | NONE |
| .X | \pm .1 | | | REF | |
| .XX | \pm .03 | | | FMF | WUXI |
| .XXX | \pm .005 | | | PREV | |
| .XXXX | \pm .0005 | | | | |
| NO. | REVISION | BY & DATE | CHK | ANG | \pm 7'30" |
| THIS DRAWING IN DESIGN AND DETAIL IS OUR PROPERTY AND MUST NOT BE USED EXCEPT IN CONNECTION WITH OUR WORK ALL RIGHTS OF DESIGN AND INVENTION ARE RESERVED THIS IS AN ELECTRONICALLY GENERATED DOCUMENT - DO NOT SCALE THIS PRINT | | | RFP | CAD FILE | SS620754 |
| | | | DIST | SIZE | B |
| | | | DRAWING NO. | PAGE | 1 OF 1 |
| | | | | REV. | SS620754 |

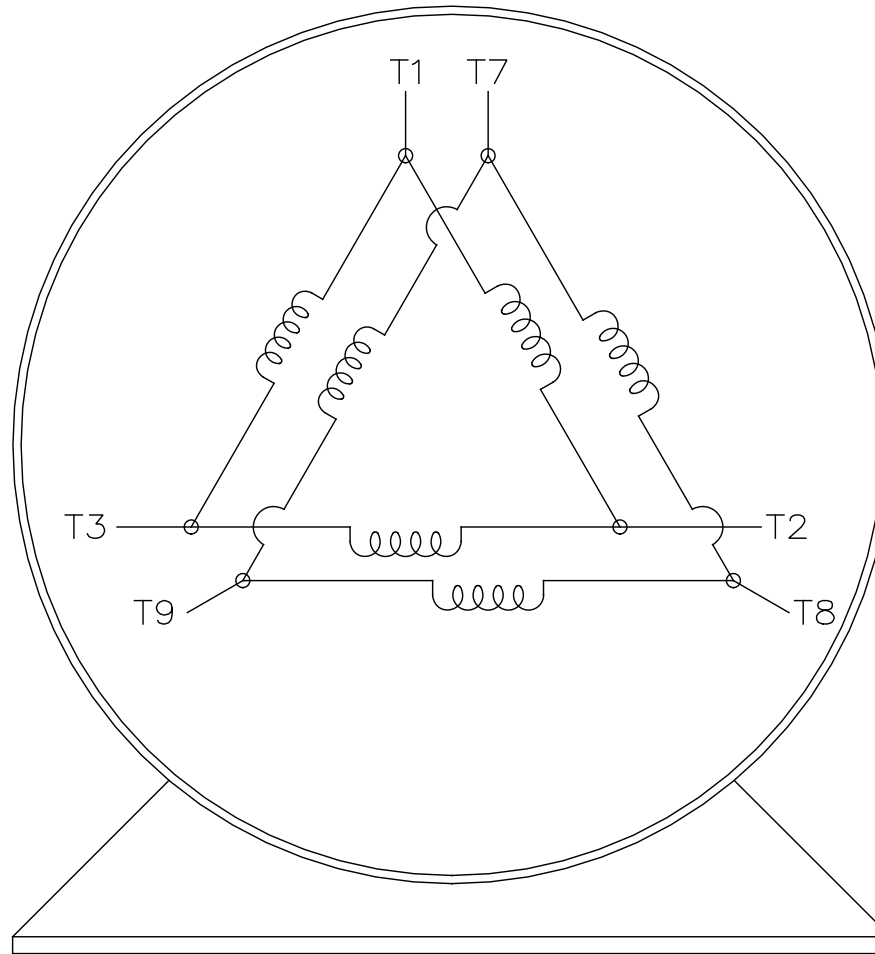
THREE PHASE – PART WINDING START
DELTA – 6 LEADS

START

CONNECT T1 TO LINE 1
CONNECT T2 TO LINE 2
CONNECT T3 TO LINE 3
T7–T8–T9 OPEN

RUN

CONNECT T1&T7 TO LINE 1
CONNECT T2&T8 TO LINE 2
CONNECT T3&T9 TO LINE 3



VIEW OF TERMINAL END

| | | TOLERANCES UNLESS SPECIFIED | | REGAL - BELOIT CORPORATION | | DRAWN BLR 03-09-1998 | | | | | | |
|--|--------------------------------------|-----------------------------|------------|----------------------------|---|----------------------|---------------|--------|-------------|------|----|------|
| | | DEC. | INCHES | | | CHK | ML 03-23-1998 | | | | | |
| | | .X | ± | – | TITLE CONNECTION DIAGRAM 3Ø – 6 LEADS | APPD | GK 03-23-1998 | | | | | |
| | | .XX | ± | – | | SCALE | 1=1 | | | | | |
| | | .XXX | ± | – | | REF | | | | | | |
| D | RE-DRAWN WITH REGAL LOGO ECO-0110493 | WGJ | 09-30-2016 | EMH | .XXXX | ± | – | MAT'L. | FMF | | | |
| NO. | REVISION | BY & DATE | CHK | ANG | ± | – | FINISH | PREV | | | | |
| THIS DRAWING IN DESIGN AND DETAIL IS OUR PROPERTY AND MUST NOT BE USED EXCEPT IN CONNECTION WITH OUR WORK ALL RIGHTS OF DESIGN AND INVENTION ARE RESERVED THIS IS AN ELECTRONICALLY GENERATED DOCUMENT – DO NOT SCALE THIS PRINT | | | | RFP | CAD FILE EE7341C | | | SIZE | DRAWING NO. | PAGE | OF | REV. |
| | | | | DIST | | | | A | EE7341C | | | D |

CERTIFICATION DATA SHEET

Model#: 405TTDCCD6060 AA **WINDING#:** HE32504009 NONE 1
CONN. DIAGRAM: EE7341C **ASSEMBLY:** F1/F2 CAPABLE
OUTLINE: SS620754

TYPICAL MOTOR PERFORMANCE DATA

| HP | KW | SYNC. RPM | F.L. RPM | FRAME | ENCLOSURE | KVA CODE | DESIGN |
|---------|-------|-----------|-----------|-------|-----------|----------|--------|
| 125&100 | 93&75 | 1800 | 1785&1485 | 405T | DP | G | B |

| PH | Hz | VOLTS | FL AMPS | START TYPE | DUTY | INSL | S.F | AMB°C | ELEVATION |
|----|-------|---------|---------|-----------------|------------|------|-----------|-------|-----------|
| 3 | 60/50 | 460#380 | 142&138 | PWS OR INVERTER | CONTINUOUS | F7 | 1.15/1.15 | 40 | 3300 |

| FULL LOAD EFF: 95.4&95 | 3/4 LOAD EFF: 95.4 | 1/2 LOAD EFF: 95 | GTD. EFF | ELEC. TYPE | NO LOAD AMPS |
|-------------------------|--------------------|------------------|----------|-------------------|--------------|
| FULL LOAD PF: 86.5&86.5 | 3/4 LOAD PF: 83.8 | 1/2 LOAD PF: 76 | 95 | SQ CAGE INV RATED | 46.5 |

| F.L. TORQUE | LOCKED ROTOR AMPS | L.R. TORQUE | B.D. TORQUE | F.L. RISE°C |
|-------------|-------------------|---------------|---------------|-------------|
| 368 LB-FT | 900 | 699 LB-FT 190 | 920 LB-FT 250 | 40 |

| SOUND PRESSURE @ 3 FT. | SOUND POWER | ROTOR WK^2 | MAX. WK^2 | SAFE STALL TIME | STARTS /HOUR | APPROX. MOTOR WGT |
|------------------------|-------------|------------|-------------|-----------------|--------------|-------------------|
| 78 dBA | 88 dBA | 35 LB-FT^2 | 650 LB-FT^2 | 20 SEC. | 2 | 1300 LBS. |

***** SUPPLEMENTAL INFORMATION *****

| DE BRACKET TYPE | ODE BRACKET TYPE | MOUNT TYPE | ORIENTATION | SEVERE DUTY | HAZARDOUS LOCATION | DRIP COVER | SCREENS | PAINT |
|-----------------|------------------|------------|-------------|-------------|--------------------|------------|---------|---------------|
| STANDARD | STANDARD | RIGID | HORIZONTAL | FALSE | NONE | FALSE | NONE | BLUE (ENAMEL) |

| BEARINGS | | GREASE | SHAFT TYPE | SPECIAL DE | SPECIAL ODE | SHAFT MATERIAL | FRAME MATERIAL |
|----------|------|------------|------------|------------|-------------|-------------------------|----------------|
| DE | OPE | | | | | | |
| BALL | BALL | POLYREX EM | T | NONE | NONE | 1045 HOT ROLLED (C-204) | CAST IRON |
| 6316 | 6315 | | | | | | |

| THERMO-PROTECTORS | | | | THERMISTORS | CONTROL | SPACE /n HEATERS |
|-------------------|------------|----------|----------|-------------|---------|------------------|
| THERMOSTATS | PROTECTORS | WDG RTDs | BRG RTDs | | | |
| NONE | NOT | NONE | NONE | NONE | FALSE | NONE VOLTS |

If Inverter equals NONE, contact factory for further information

| |
|--------------------------------|
| INVERTER TORQUE: VARIABLE 10:1 |
| INV. HP SPEED RANGE: NONE |
| ENCODER: NONE |
| NONE NONE |
| NONE NONE PPR |
| BRAKE: NONE NONE |
| NONE P/N NONE |
| NONE NONE |
| NONE FT-LB NONE V NONE Hz |

*
N
O
T
E
S
*

DATE: 07/03/2017 02:03:24 AM
FORM 3531 REV.3 02/07/99

** Subject to change without notice.