

# PRODUCT INFORMATION PACKET

Model No: 405TTGS6589  
Catalog No: E577  
75,1200,EPFC,405T,3/60/230/460  
Explosion Proof



Regal and Marathon are trademarks of Regal Beloit Corporation or one of its affiliated companies.  
©2018 Regal Beloit Corporation, All Rights Reserved. MC017097E





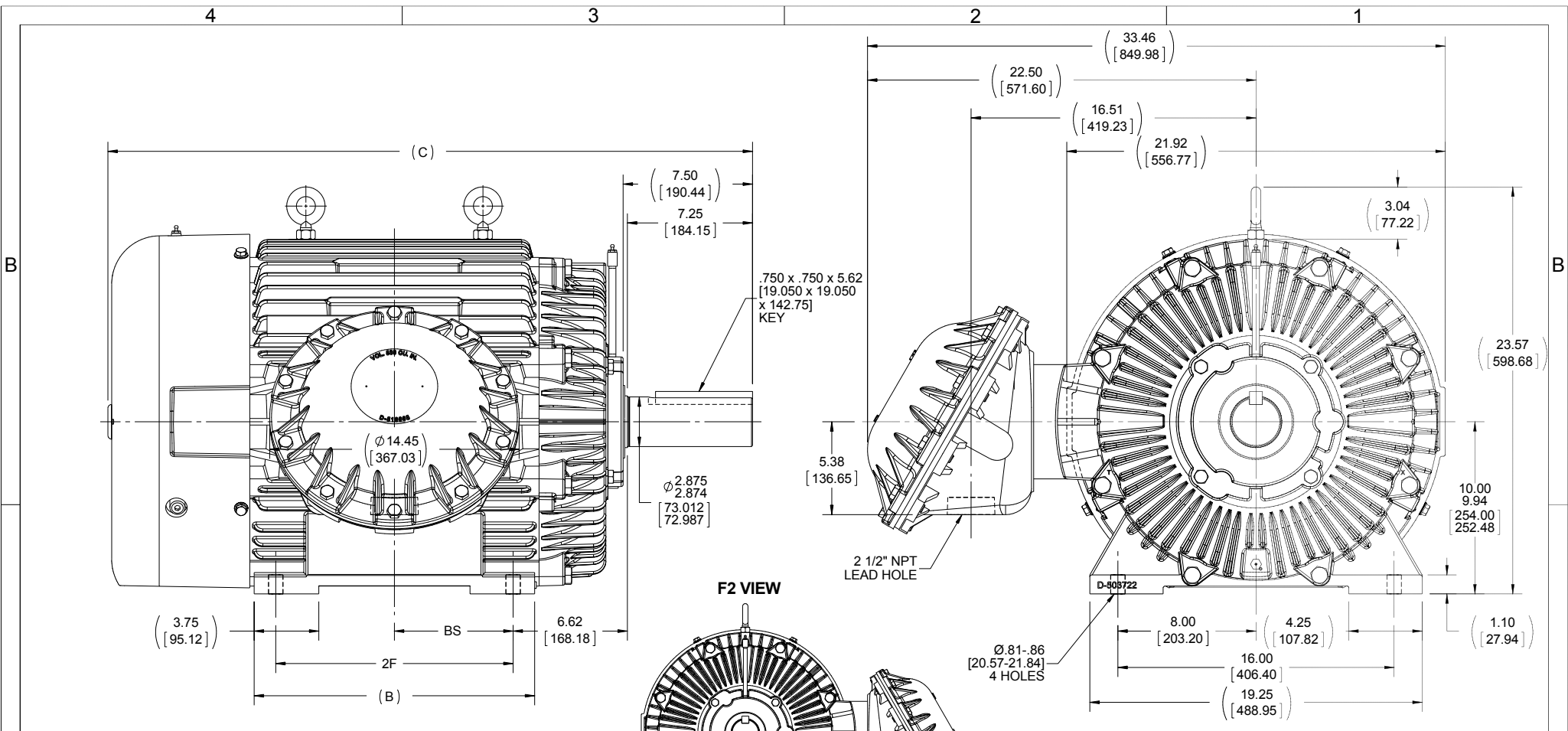
### Nameplate Specifications

Output HP	<b>75 Hp</b>	Output KW	<b>56.0 kW</b>
Frequency	<b>60 Hz</b>	Voltage	<b>230/460 V</b>
Current	<b>180.0/90.0 A</b>	Speed	<b>1185 rpm</b>
Service Factor	<b>1.15</b>	Phase	<b>3</b>
Efficiency	<b>94.5 %</b>	Duty	<b>Continuous</b>
Insulation Class	<b>F</b>	Design Code	<b>B</b>
KVA Code	<b>G</b>	Frame	<b>405T</b>
Enclosure	<b>Explosion Proof Fan cooled</b>	Overload Protector	<b>No</b>
Ambient Temperature	<b>40 °C</b>	Drive End Bearing Size	<b>6316</b>
Opp Drive End Bearing Size	<b>6313</b>	UL	<b>No</b>
CSA	<b>N</b>	CE	<b>N</b>
IP Code	<b>54</b>		

### Technical Specifications

Electrical Type	<b>Squirrel Cage Inverter Rated</b>	Starting Method	<b>Line Or Inverter</b>
Poles	<b>6</b>	Rotation	<b>Reversible</b>
Mounting	<b>Rigid base</b>	Motor Orientation	<b>Horizontal</b>
Drive End Bearing	<b>Ball</b>	Opp Drive End Bearing	<b>Ball</b>
Frame Material	<b>Cast Iron</b>	Shaft Type	<b>T</b>
Overall Length	<b>37.75 in</b>	Frame Length	<b>16.75 in</b>
Shaft Diameter	<b>2.875 in</b>	Shaft Extension	<b>7.5 in</b>
Assembly/Box Mounting	<b>F1 Only</b>		
Outline Drawing	<b>B-SS518936-1675</b>	Connection Diagram	<b>A-EE7308T</b>

This is an uncontrolled document once printed or downloaded and is subject to change without notice. Date Created: 06/29/2018



- NOTES:  
 1. CONDUIT BOX CAN BE ROTATED IN 90° STEPS.  
 2. CONDUIT BOX CAN BE MOUNTED ON OPPOSITE SIDE BY REMOVING BRACKETS AND TURNING FRAME 180°.  
 3. NAMEPLATES TO BE READ FROM CONDUIT BOX SIDE OF MOTOR.

DASH	FRAME	B	C	2F	BS
1525	404T	14.75 [374.65]	35.85 [910.59]	12.25 [311.15]	6.12 [155.45]
1675	405T	16.25 [412.75]	37.35 [948.69]	13.75 [349.25]	6.88 [174.75]

DRAWING REVISION E	REVISION BY JJB	DATE 02-19-2016
ECO ECO-0091102	APPROVED BY JHA	DATE 02-19-2016
ECO DESCRIPTION UPDATED TO CURRENT STANDARDS		
<small>COPYRIGHT REGAL BELOIT AMERICA, INC. ALL RIGHTS RESERVED.                  PROPRIETARY AND CONFIDENTIAL INFORMATION - THIS DOCUMENT IS THE PROPERTY OF                  REGAL BELOIT AMERICA, INC. ("OWNER") AND CONTAINS OWNER'S PROPRIETARY                  INFORMATION. ANY PERSON, CORPORATION OR OTHER FIRM RECEIVING IT IS DEEMED,                  BY RECEIVING IT, TO AGREE THAT IT, AND/OR ANY PART OF IT, SHALL NOT BE DISCLOSED                  TO ANY PERSON, CORPORATION OR OTHER ENTITY, DUPLICATED, AND/OR USED, EXCEPT                  AS EXPRESSLY APPROVED IN WRITING IN ADVANCE BY OWNER. THIS DOCUMENT SHALL                  BE RETURNED TO OWNER UPON REQUEST. IT MAY BE SUBJECT TO CERTAIN                  RESTRICTIONS UNDER APPLICABLE EXPORT CONTROL LAWS AND REGULATIONS.</small>		

TOLERANCES UNLESS OTHERWISE SPECIFIED:		
DEC.	INCH	mm
.X	+0.1	[+2.5]
.XX	+0.03	[+0.76]
.XXX	+0.005	[+0.127]
.XXXX	+0.0005	[+0.0127]
REMOVE BURRS & BREAK SHARP EDGES: .003/.015 [0.076/.381] X 45°		
CORNER FILLETS: R.02 [51]		
MACHINED SURFACES: 200 INCH 5.1 mm SHOWN IN [BRACKETS]		

DRAWN BY MSG
DATE 03-06-2002
APPROVED BY JES
DATE 03-20-2002
REFERENCE
THIRD ANGLE PROJECTION

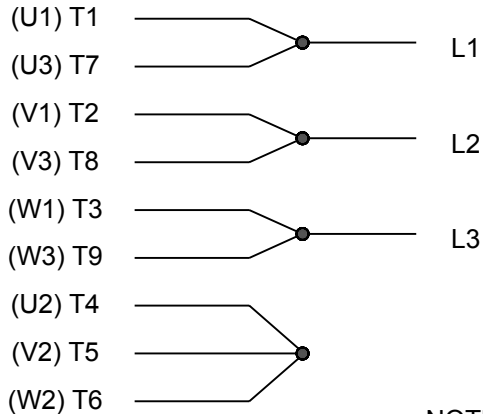
Regal Beloit America, Inc.	
DESCRIPTION <b>OUTLINE</b> 400T FR. - TEFC - EXP. PR. - (STD.)	
MATERIAL	PROCESS/FINISH
SIZE B	DRAWING NUMBER SS518936
	SHEET 1 OF 1

## HIGH VOLTAGE



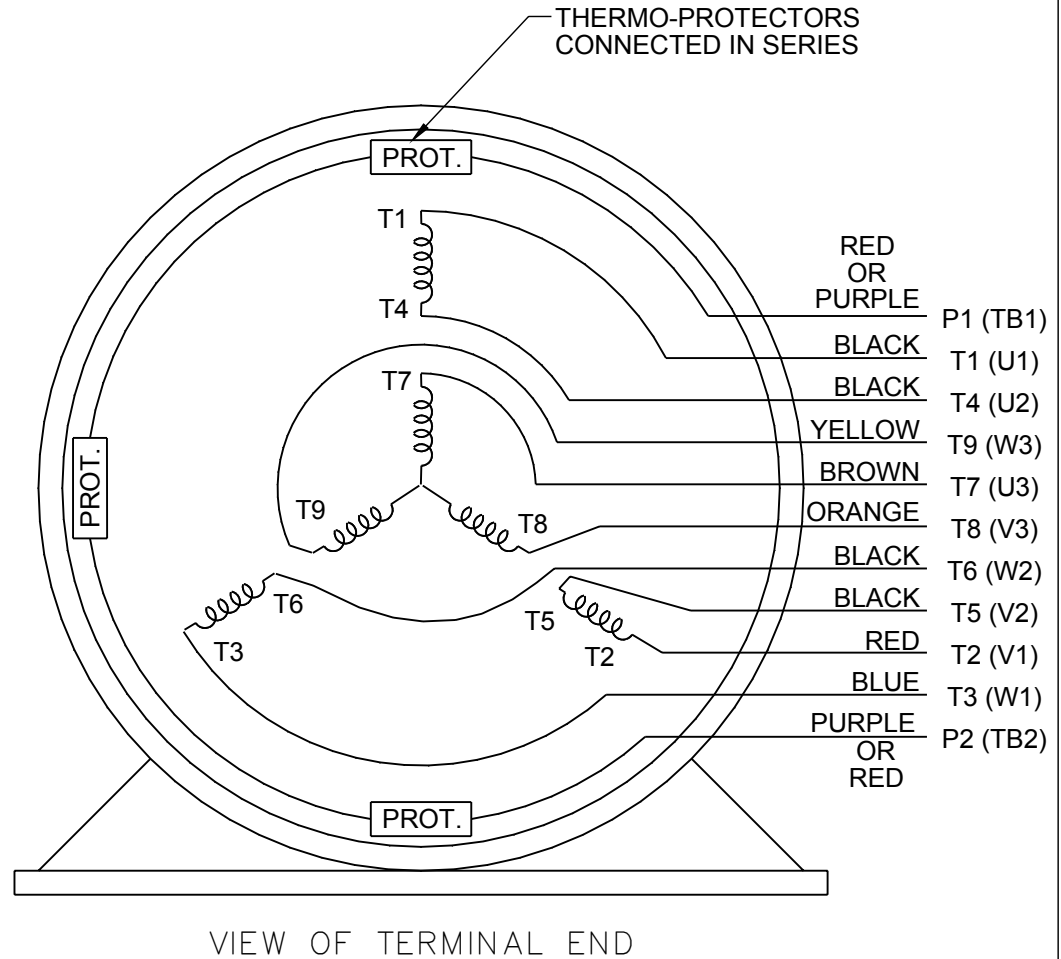
**NOTE FOR FACTORY USE ONLY:  
 TO SURGE TEST FOR COMMON CONNECT:  
 HIGH VOLT: CONNECT P1 TO T1  
 THEN P2 TO L1  
 LOW VOLT: CONNECT P1 TO T1 & T7,  
 THEN P2 TO L1**

## LOW VOLTAGE



**NOTE: LEAD'S COLOR CAN BE YELLOW OR WHITE FOR MT2 PLANT**

## THREE PHASE DUAL VOLTAGE MOTOR



DRAWING REVISION <b>R</b>	REVISION BY <b>AJW</b>	DATE <b>07-17-2015</b>		DRAWN BY <b>SMC</b>	<b>Regal Beloit America, Inc.</b>
ECO <b>ECO-0081632</b>	APPROVED BY <b>T. VUE</b>	DATE <b>07-17-2015</b>		DATE <b>05-13-1992</b>	
ECO DESCRIPTION <b>REV'D IEC NOTATIONS PER IEC 60034-8</b>				APPROVED BY <b>TB</b>	DESCRIPTION <b>CONN DIAGRAM-INTERNAL</b>
<small>COPYRIGHT REGAL BELOIT AMERICA, INC. ALL RIGHTS RESERVED.                  PROPRIETARY AND CONFIDENTIAL INFORMATION - THIS DOCUMENT IS THE PROPERTY OF                  REGAL BELOIT AMERICA, INC. ("OWNER") AND CONTAINS OWNER'S PROPRIETARY                  INFORMATION. ANY PERSON, CORPORATION OR OTHER FIRM RECEIVING IT IS DEEMED,                  BY RECEIVING IT, TO AGREE THAT IT, AND/OR ANY PART OF IT, SHALL NOT BE DISCLOSED                  TO ANY PERSON, CORPORATION OR OTHER ENTITY, DUPLICATED, AND/OR USED, EXCEPT                  AS EXPRESSLY APPROVED IN WRITING IN ADVANCE BY OWNER. THIS DOCUMENT SHALL                  BE RETURNED TO OWNER UPON REQUEST. IT MAY BE SUBJECT TO CERTAIN                  RESTRICTIONS UNDER APPLICABLE EXPORT CONTROL LAWS AND REGULATIONS.</small>				DATE <b>05-13-1992</b>	<b>3 PHASE - DUAL VOLTAGE MOTOR</b>
			REFERENCE <b>EE7308/EE7300</b>	MATERIAL	PROCESS/FINISH
			THIRD ANGLE PROJECTION	SIZE <b>A</b>	DRAWING NUMBER <b>EE7308T</b>



Data Sheet

Date: 6/19/2017

405TTGS6589

Customer:  
Attention:



Submitted by: FAREEDA DUDEKULA

Submital  
Data @ 460 V

Motor Load Data

Load	0%	25%	50%	75%	100%	115%	125%	LR
Current (Amps)	30.0	37.0	52.0	70.0	90.0	105	115	535
Torque (ft-lb)	0.00	82.5	165	248	333	385	417	650
RPM	1200	1196	1192	1188	1185	1,180	1175	0
Efficiency (%)		93.6	94.5	95.0	94.5	94.1	93.6	
P.F. (%)	4.0	50.0	71.0	79.0	83.0	83.5	83.5	37.0

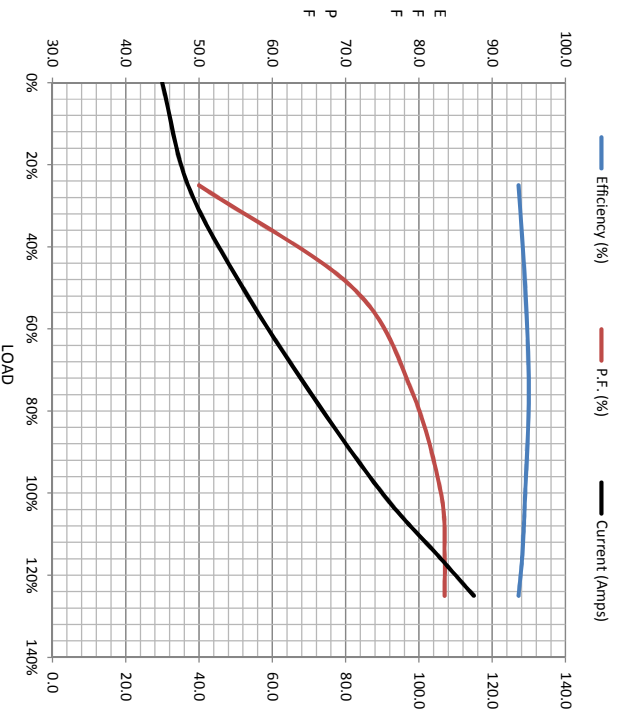
Motor Speed Data

	LR	Pull-Up	BD	Rated	Idle
Speed (rpm)	0	600	1050	1185	1200
Current (Amps)	535	475	300	90.0	30.0
Torque (ft-lb)	650	575	750	333	0.00

Information Block

HP	75.0
Sync. RPM	1200
Frame	405
Enclosure	TEFC
Construction	TFS
Voltage	230/460 V
Frequency	60 HZ
Design	B
LR Code letter	G
Service Factor	1.15
Temp Rise @ FL	75 °C
Duty	CONT
Ambient	40 °C
Elevation	1,000 feet
Rotor/Shaft wkt	38.0 Lb-Fe
Rel Wdg	T405642 NONE
Sound Pressure @ 1M	68 dBA
VFD Rating	CONSTANT 2:1
Outline Dwg	B-SS518936-1675
Conn. Diag	A-EE7308T
Additional Specifications:	
0	

EQUIV CKT (OHMS / PHASE)				
R1	R2	X1	X2	Xm
0.0680	0.0420	0.3250	0.5070	8.7320



Speed -Torque Curve

