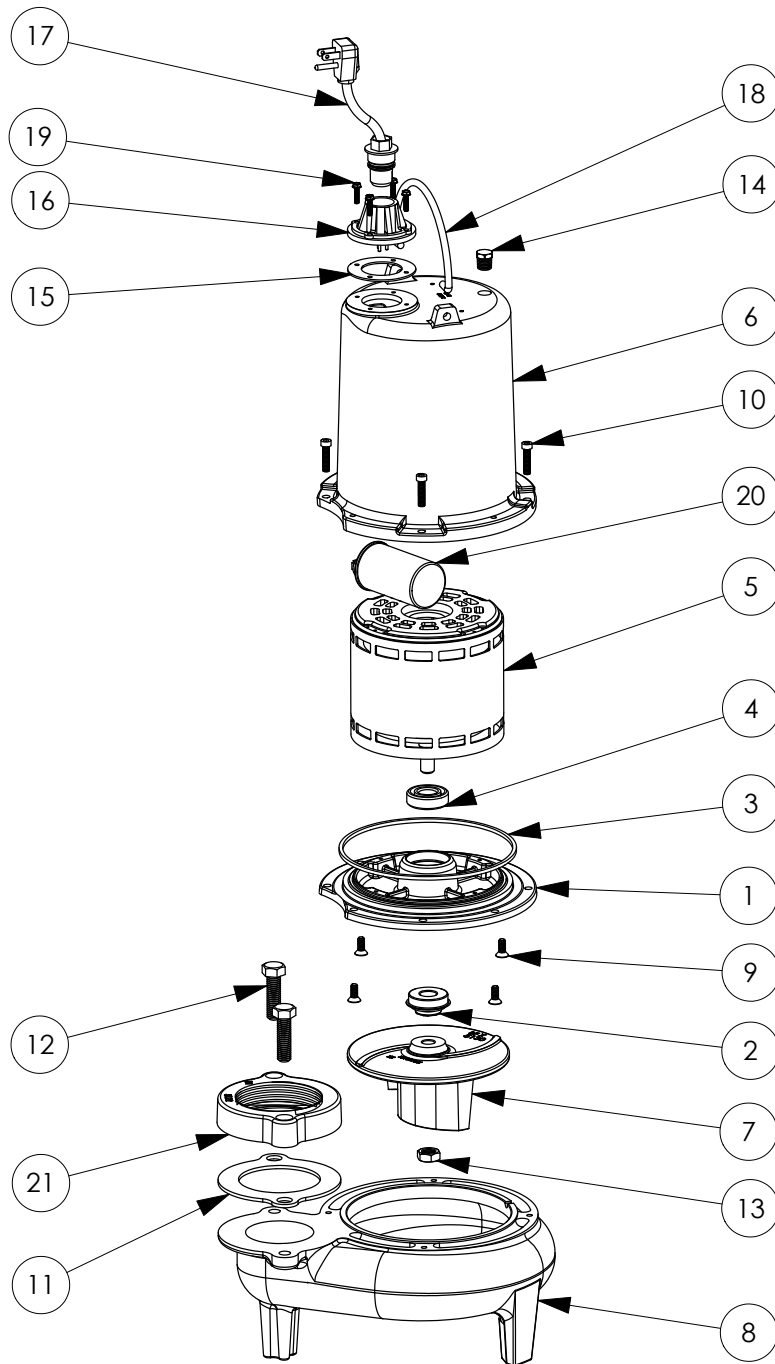


LE72M3

LE72M3 (B10)



LE72M3**LE72M3 (B10)**

| # | PART # | DESCRIPTION | QTY | Note |
|----|---------|--|-----|------|
| 1 | 510100R | MOTOR SUPPORT PLATE | 1 | |
| 2 | K001717 | KIT, 5/8 UNITIZED 5120000 AND LIP SEAL 5860000 | 1 | |
| 3 | 5107000 | MOTOR COVER SEALRING | 1 | [1] |
| 4 | 5124000 | BEARING | 1 | |
| 5 | 5341000 | MOTOR | 1 | |
| 6 | 527700R | MOTOR COVER | 1 | |
| 7 | 5130000 | IMPELLER, CAST IRON | 1 | |
| 8 | 510200R | VOLUTE HOUSING | 1 | |
| 9 | 8018000 | 1/4-20 x 5/8 SLOTTED FLAT HEAD BOLT | 4 | |
| 10 | 8091000 | 1/4-20 x 1 HEX SOCKET HEAD BOLT | 4 | |
| 11 | 5129000 | FLANGE GASKET, FITS 2" OR 3" | 1 | |
| 12 | 8037000 | 1/2-13 x 1-3/4 STAINLESS STEEL BOLT | 2 | |
| 13 | 8046000 | 1/2-20 HEX STAINLESS STEEL JAM NUT | 1 | |
| 14 | 5071000 | BRASS OIL PLUG | 1 | |
| 15 | 5060000 | CORD PLATE GASKET | 1 | |
| 16 | 5014000 | CORD PLATE | 1 | |
| 17 | K001058 | POWER CORD, 10FT. 230V | 1 | |
| 18 | K001095 | STAINLESS STEEL HANDLE | 1 | |
| 19 | 8064000 | #8-32 x 5/8 HEX WASHER HEAD SCREW | 4 | |
| 20 | 51190F0 | CAPACITOR | 1 | |
| 21 | K001222 | 3" DISCHARGE KIT | 1 | |

PART NOTES:

[1] - Part requires factory authorized service. Contact Liberty Pumps at 1-800-543-2550