



# TYPE "C" SINGLE STAGE CENTRIFUGAL PUMP Electric Motor Drive

Section	CC/C
Page	20.1
Date	January 1, 2004
Supersedes 8/1/96	

**CAST IRON IMPELLER**

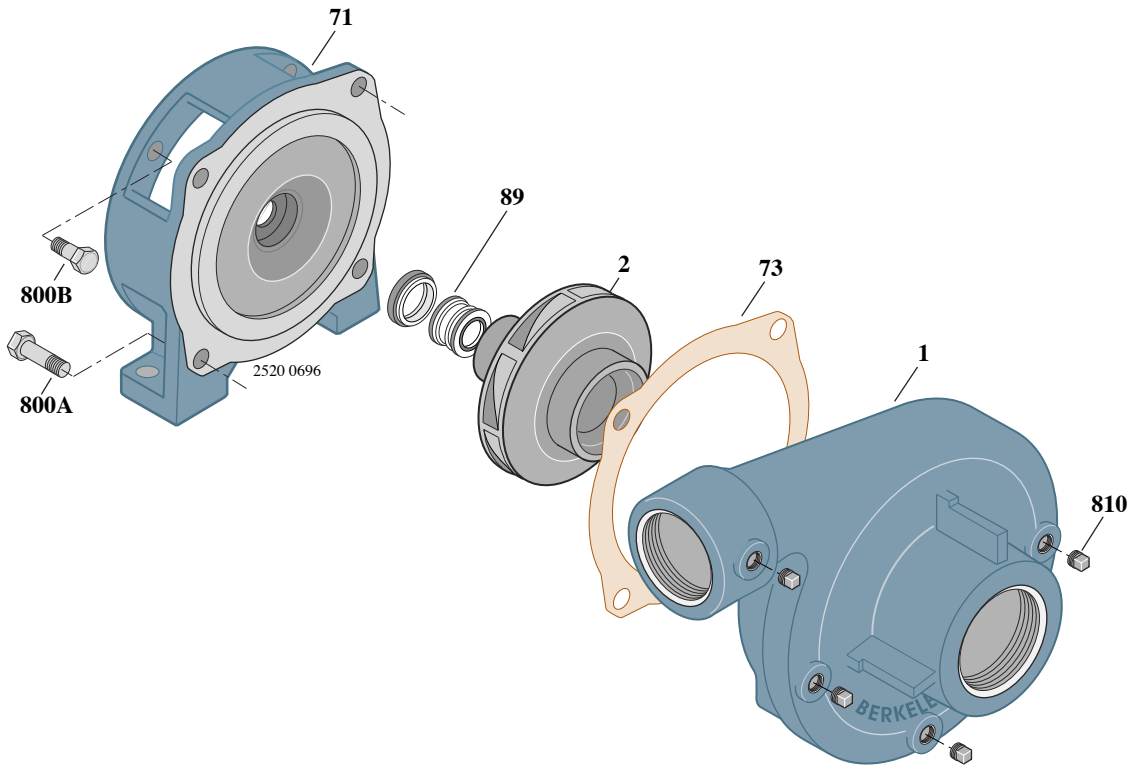
**C1-1/2TPHS**

**Threaded Case (NPT)**

**Mechanical Seal Construction**

**TABLE I**

B/M No.	HP	Phase	RPM	Impeller	Impeller Diameter
<b>B59212</b>	3	1	3600	M07636	4.88"
<b>B59212S</b>	3	1	3600	M11209	4.88"
<b>B59213</b>	3	3	3600	M07636	4.88"
<b>B59213S</b>	3	3	3600	M11209	4.88"



Item No.	Part Description	Part Number
1	Case, Volute	L01848
2	Impeller	See Table I
71	Bracket	L02866
73	Gasket, Case	S07445
89	Seal, Mechanical Shaft	S08019
800A	Capscrew, 5/16 - 18 x 7/8" (4 Req.)	S26783
800B	Capscrew, 3/8 - 16 x 7/8" (4 Req.)	S26825
810	Plug, Pipe 1/8 NPT (4 Req.)	S23714