

PRODUCT INFORMATION PACKET

marathon[®]
Motors

Model No: 444TSTD6060
Catalog No: GT0089
150,1800,DP,444TS,3/60/460PWS
Open Drip Proof (ODP)



Regal and Marathon are trademarks of Regal Beloit Corporation or one of its affiliated companies.
©2018 Regal Beloit Corporation, All Rights Reserved. MC017097E

REGAL[®]



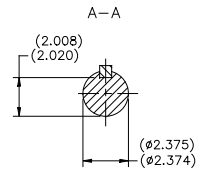
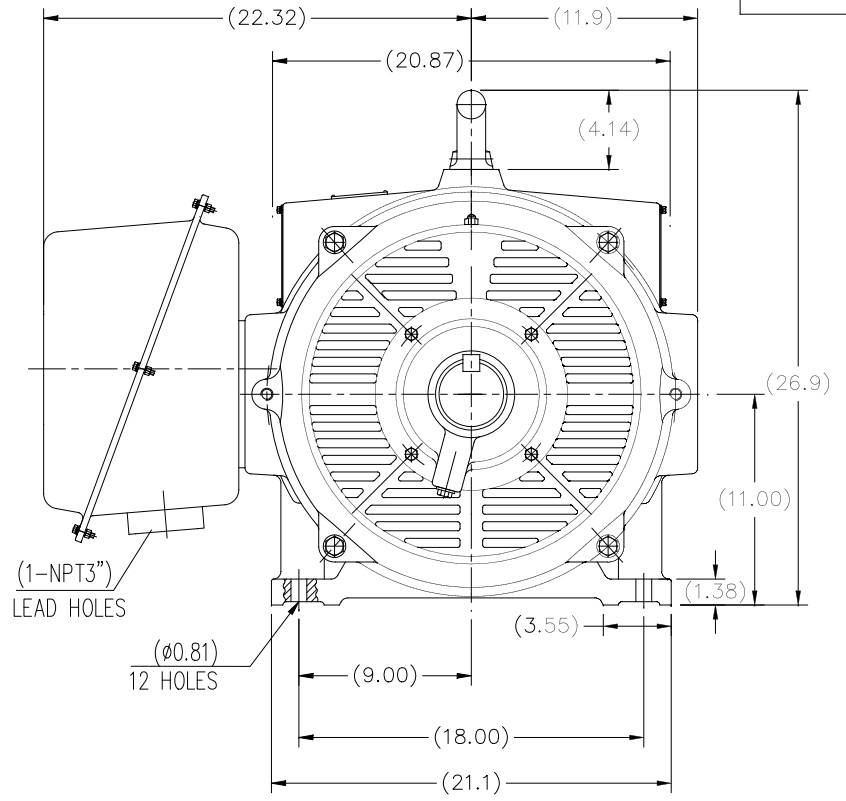
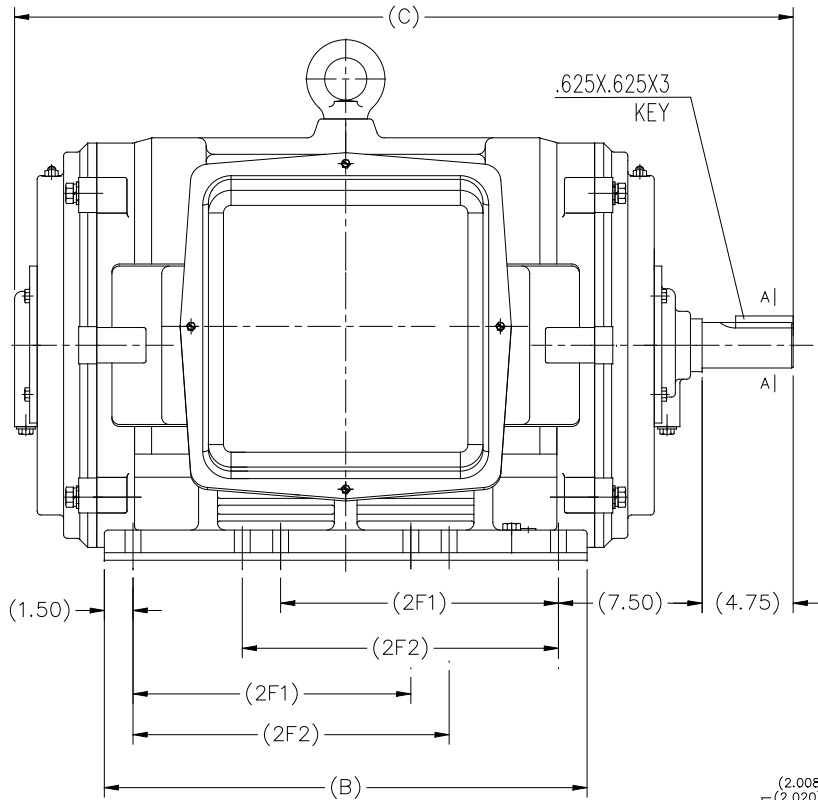
Nameplate Specifications

Output HP	150 Hp	Output KW	112.0 kW
Frequency	60 Hz	Voltage	460 V
Current	168.0 A	Speed	1790 rpm
Service Factor	1.15	Phase	3
Efficiency	95.8 %	Duty	Continuous
Insulation Class	F	Design Code	B
KVA Code	G	Frame	444TS
Enclosure	Drip Proof	Overload Protector	No
Ambient Temperature	40 °C	Drive End Bearing Size	6319
Opp Drive End Bearing Size	6317	UL	Recognized
CSA	Y	CE	Y
IP Code	22		

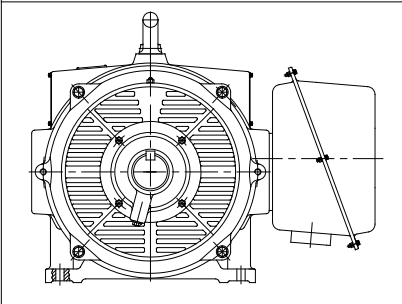
Technical Specifications

Electrical Type	Squirrel Cage Inverter Rated	Starting Method	Part Wdg Start Or Inverter
Poles	4	Rotation	Reversible
Mounting	Rigid base	Motor Orientation	Horizontal
Drive End Bearing	Ball	Opp Drive End Bearing	Ball
Frame Material	Cast Iron	Shaft Type	TS
Frame Length	25.98 in	Shaft Diameter	2.375 in
Shaft Extension	4.75 in	Assembly/Box Mounting	F1/F2 Capable
Outline Drawing	SS620756	Connection Diagram	EE7341C

This is an uncontrolled document once printed or downloaded and is subject to change without notice. Date Created: 07/02/2018



F2 MOUNTING



444TS	40.83	25.2	14.5	16.5
445TS				
447TS	45.95	30.31	20	25
449TS				
Frame	C	B	2F1	2F2

		TOLERANCES UNLESS SPECIFIED		REGAL REGAL-BELOIT CORPORATION		DRAWN 2XW 07-21-2016	
		DEC.	INCHES			CHK	
		.X	±.1			APPD	
		.XX	±.03	TITLE		SCALE NONE	
		.XXX	±.005	444/445/447/449TS FR-ODP-CAST IRON		REF	
		.XXXX	±.0005	MAT'L.		FMF WUXI	
NO.	REVISION	BY & DATE	CHK	ANG	FINISH	PREV	
THIS DRAWING IN DESIGN AND DETAIL IS OUR PROPERTY AND MUST NOT BE USED EXCEPT IN CONNECTION WITH OUR WORK ALL RIGHTS OF DESIGN AND INVENTION ARE RESERVED THIS IS AN ELECTRONICALLY GENERATED DOCUMENT - DO NOT SCALE THIS PRINT				RFP	CAD FILE SS620756	SIZE B	DRAWING NO. SS620756
				DIST		PAGE 1 OF 1	REV.

EE7341C

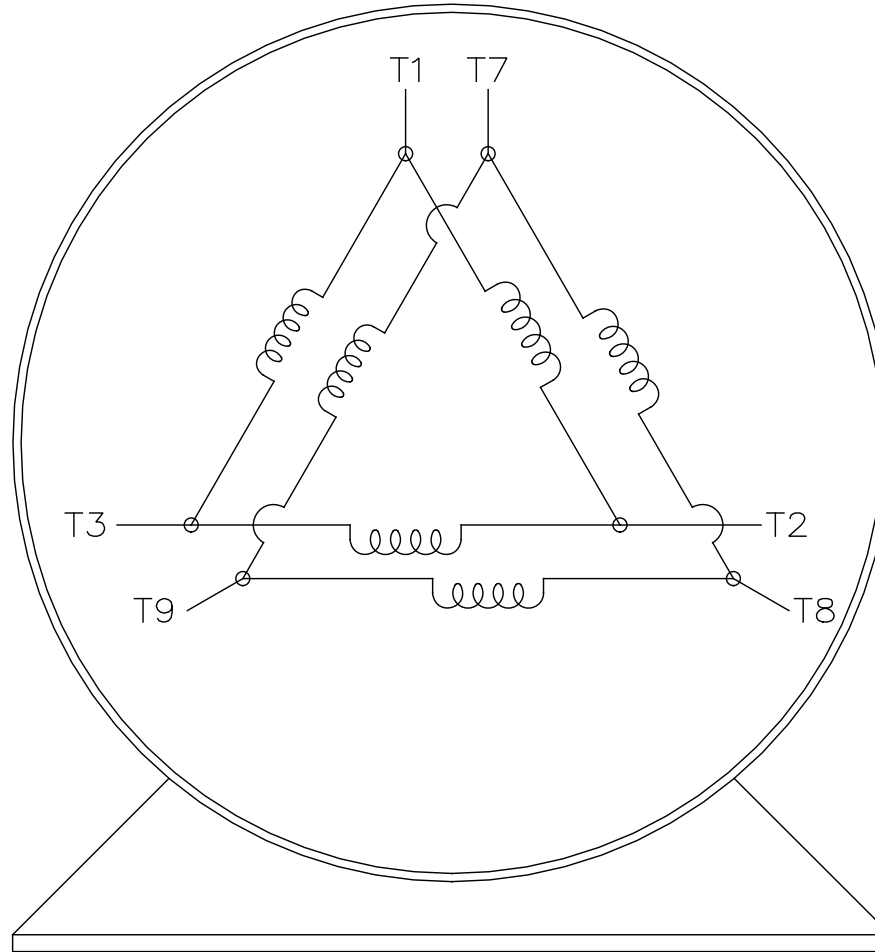
THREE PHASE – PART WINDING START
DELTA – 6 LEADS

START

- CONNECT T1 TO LINE 1
- CONNECT T2 TO LINE 2
- CONNECT T3 TO LINE 3
- T7–T8–T9 OPEN

RUN

- CONNECT T1&T7 TO LINE 1
- CONNECT T2&T8 TO LINE 2
- CONNECT T3&T9 TO LINE 3



VIEW OF TERMINAL END

		TOLERANCES UNLESS SPECIFIED		REGAL REGAL - BELOIT CORPORATION		DRAWN BLR 03-09-1998				
		DEC.	INCHES			CHK	ML	03-23-1998		
			.X	±	-		APPD	GK	03-23-1998	
			.XX	±	-	TITLE	SCALE		1=1	
			.XXX	±	-	CONNECTION DIAGRAM		REF		
			.XXXX	±	-	3Ø - 6 LEADS		FMF		
D	RE-DRAWN WITH REGAL LOGO	ECO-0110493	WGJ	09-30-2016	EMH	.XXXX	±	-	MAT'L.	
NO.	REVISION		BY & DATE		CHK	ANG	±	-	FINISH	
THIS DRAWING IN DESIGN AND DETAIL IS OUR PROPERTY AND MUST NOT BE USED EXCEPT IN CONNECTION WITH OUR WORK ALL RIGHTS OF DESIGN AND INVENTION ARE RESERVED THIS IS AN ELECTRONICALLY GENERATED DOCUMENT - DO NOT SCALE THIS PRINT						RFP	CAD FILE EE7341C		SIZE	DRAWING NO. PAGE OF REV.
						DIST			A	EE7341C D



**P.O. BOX 8003
WAUSAU, WI 54401-8003
PH. 715-675-3311**

CERTIFICATION DATA SHEET

CUSTOMER:
ORDER #:
CONN. DIAGRAM:
OUTLINE:
WINDING #:

CUSTOMER PO #:
MODEL #:
CUSTOMER PART #:
MOUNTING:

TYPICAL MOTOR PERFORMANCE DATA

HP	KW	SYNC. RPM	F.L. RPM	FRAME	ENCLOSURE	KVA CODE	DESIGN	
150&125	112&93.0	1800	1790&1490	444TS	DP	G	B	
PH	Hz	VOLTS	AMPS	START TYPE	DUTY	INSL	S.F.	AMB°C
3	60/50	460&8380	168&170	PWS OR INVERTER	CONTINUOUS	F7	1.15/1.15	40

FULL LOAD EFF:	95.8&95.8	3/4 LOAD EFF:	95.8	1/2 LOAD EFF:	95	GTD. EFF	95.4	ELEC. TYPE
FULL LOAD PF:	87&87	3/4 LOAD PF:	85	1/2 LOAD PF:	78	SQ CAGE INV RATED		

F.L. TORQUE	LOCKED ROTOR AMPS	L.R. TORQUE	B.D. TORQUE	F.L. RISE°C
440 LB-FT	1070	880 LB-FT	200 %	1056 LB-FT 240 %
40				

SOUND PRESSURE @ 3 FT.	SOUND POWER	ROTOR WK^2	MAX. WK^2	SAFE STALL TIME	STARTS / HOUR	APPROX. MOTOR WGT
84 DBA	94 DBA	58 LB-FT^2	750 LB-FT^2	20 SEC.	2	1700 LBS.

***** SUPPLEMENTAL INFORMATION *****

DE BRACKET TYPE	ODE BRACKET TYPE	MOUNT TYPE	ORIENTATION	SEVERE DUTY	HAZARDOUS LOCATION	DRIP COVER	SCREENS	PAINT
STANDARD	STANDARD	RIGID	HORIZONTAL	FALSE	NONE	FALSE	NONE	BLUE (ENAMEL)
BEARINGS DE	GREASE	SHAFT TYPE	SPECIAL DE	SPECIAL ODE	SHAFT MATERIAL	FRAME MATERIAL		
BALL BALL 6319 6317	POLYREX EM	TS	NONE	NONE	1045 HOT ROLLED (C-204)	CAST IRON		

THERMO-PROTECTORS				THERMISTORS			CONTROL		SPACE HEATERS	
THERMOSTATS	PROTECTORS	WDG RTDS	BRG RTDS	NONE	FALSE	NONE	NONE	NONE	VOLTS	
NONE	NOT	NONE	NONE							

* INVERTER TORQUE:	VARIABLE 10:1
INV. HP SPEED RANGE:	NONE
ENCODER:	NONE
O NONE	NONE
T NONE	PPR
E NONE	P/N NONE
S NONE	NONE
* BRAKE:	NONE
T NONE	NONE
E NONE	P/N NONE
S NONE	NONE
* FT-LB	NONE
V	NONE
Hz	

PREPARED BY: Anusha Muthyala
DATE: 06/07/2018 07:47:59 AM
FORM 3531 REV.3 02/07/99
**** Subject to change without notice.**

MARATHON ELECTRIC CORPORATION

TYPICAL PERFORMANCE CURVE for AC MOTOR

Customer

Curve at

460

Volts

HP 150&125

PHASE 3

Model No 444TSTD6060

60

HZ

VOLTS 460&380

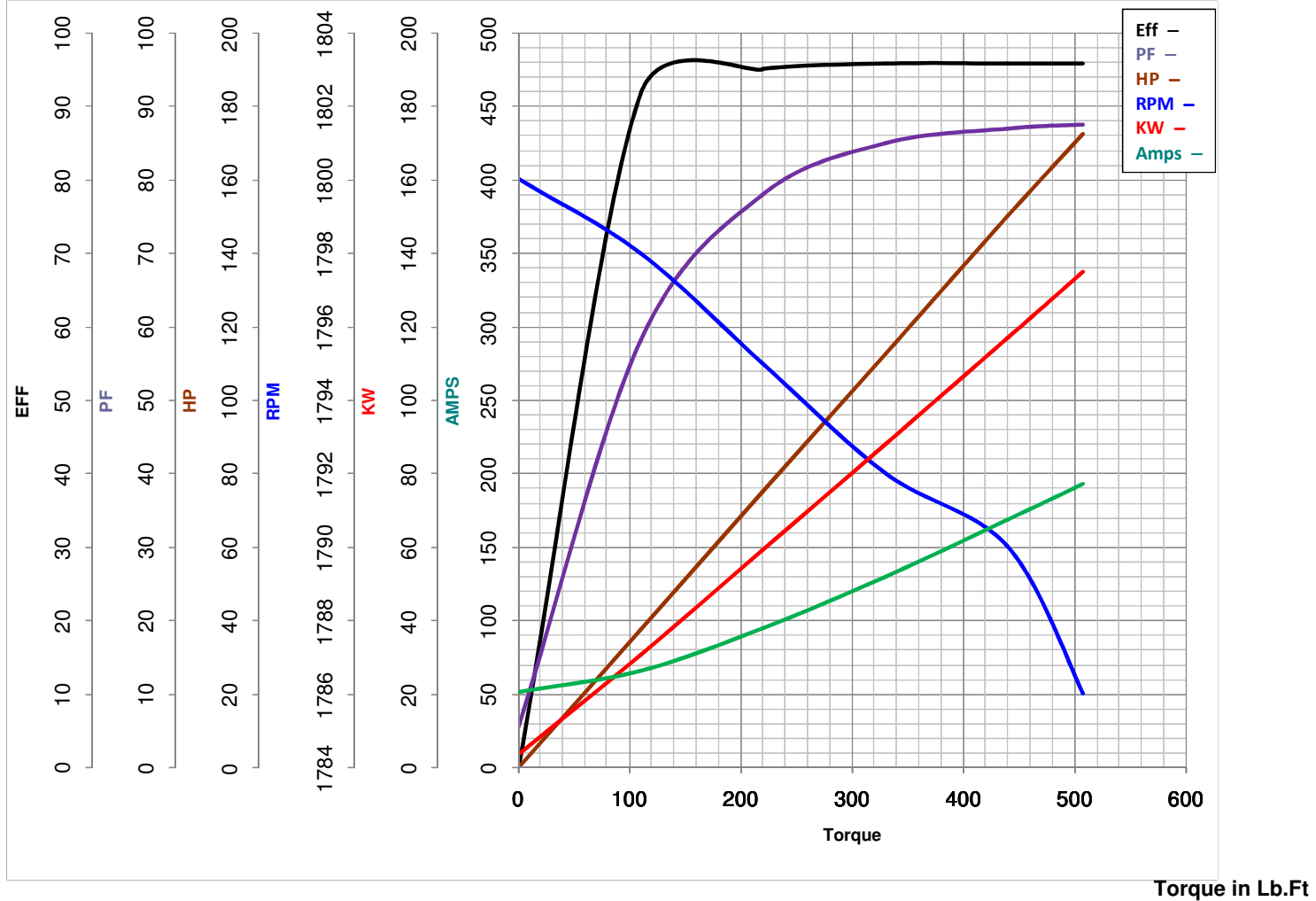
150

HP

Catalog No GT0089

HZ 60&50

RPM 1790&1490



FL TORQUE 440 Lb.Ft
 BD TORQUE 1056 Lb.Ft
 LR TORQUE 880 Lb.Ft

FL AMPS 168
 PU TORQUE 740.0 Lb.Ft
 LR AMPS 1070

WINDING HE32804017-1

Date 6/7/2018