

PRODUCT INFORMATION PACKET

marathon[®]
Motors

Model No: 444TTFC6044
Catalog No: GT1149A
125,1800,TEFC,444T,3/60/575
Totally Enclosed Fan Cooled (TEFC)



Regal and Marathon are trademarks of Regal Beloit Corporation or one of its affiliated companies.
©2018 Regal Beloit Corporation, All Rights Reserved. MC017097E

REGAL[®]



Nameplate Specifications

| | | | |
|----------------------------|------------------------------------|------------------------|-------------------|
| Output HP | 125 Hp | Output KW | 93.0 kW |
| Frequency | 60 Hz | Voltage | 575 V |
| Current | 112.0 A | Speed | 1790 rpm |
| Service Factor | 1.15 | Phase | 3 |
| Efficiency | 95.4 % | Duty | Continuous |
| Insulation Class | F | Design Code | B |
| KVA Code | G | Frame | 444T |
| Enclosure | Totally Enclosed Fan Cooled | Overload Protector | No |
| Ambient Temperature | 40 °C | Drive End Bearing Size | 6319 |
| Opp Drive End Bearing Size | 6317 | UL | Listed |
| CSA | Y | CE | Y |
| IP Code | 55 | | |

Technical Specifications

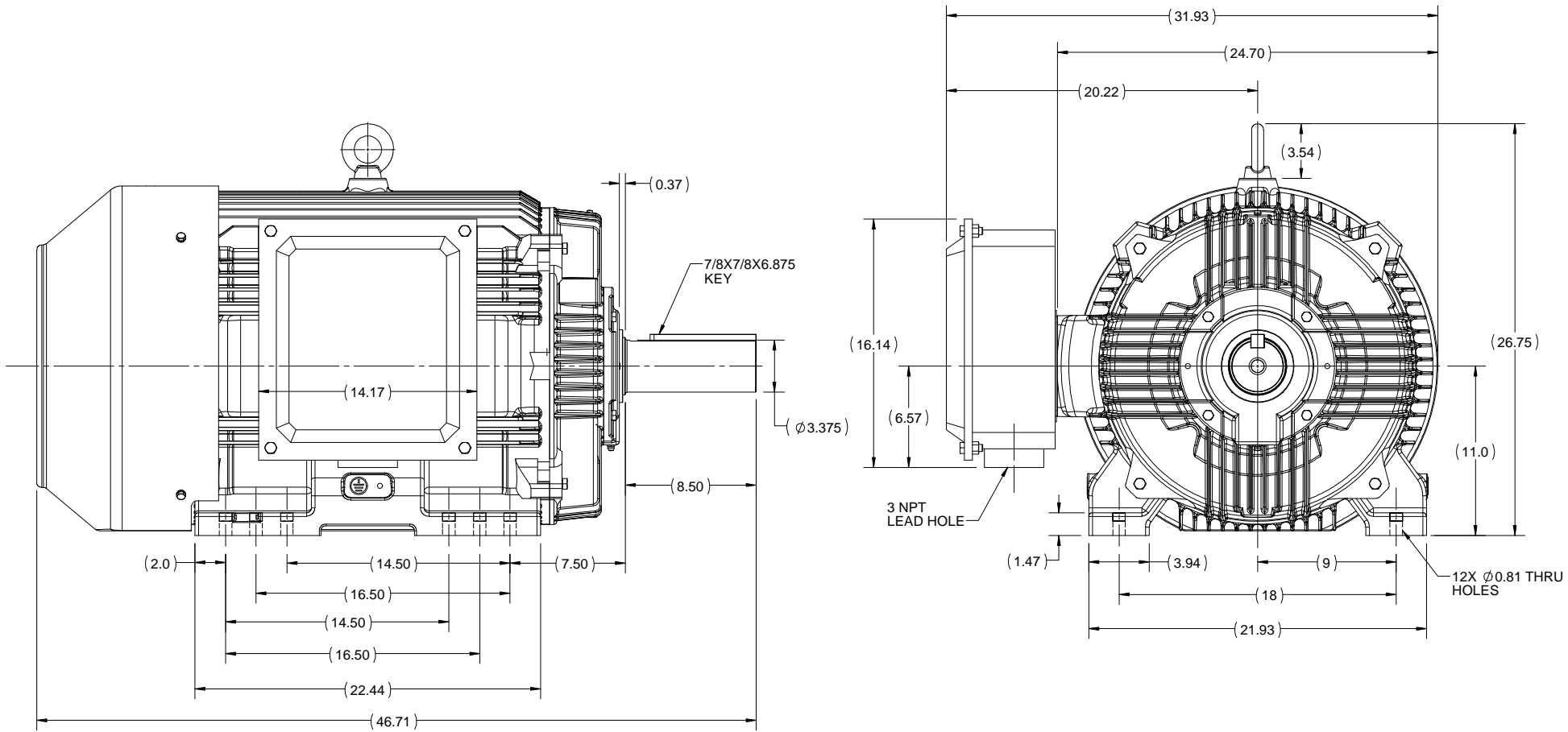
| | | | |
|-------------------|-------------------------------------|-----------------------|-------------------------|
| Electrical Type | Squirrel Cage Inverter Rated | Starting Method | Line Or Inverter |
| Poles | 4 | Rotation | Reversible |
| Mounting | Rigid base | Motor Orientation | Horizontal |
| Drive End Bearing | Ball | Opp Drive End Bearing | Ball |
| Frame Material | Cast Iron | Shaft Type | T |
| Frame Length | 23.93 in | Shaft Diameter | 3.375 in |
| Shaft Extension | 8.5 in | Assembly/Box Mounting | F1/F2 Capable |
| Outline Drawing | SS557009 | Connection Diagram | EE7300 |

This is an uncontrolled document once printed or downloaded and is subject to change without notice. Date Created: 07/02/2018

OUTLINE

B


B



A

A

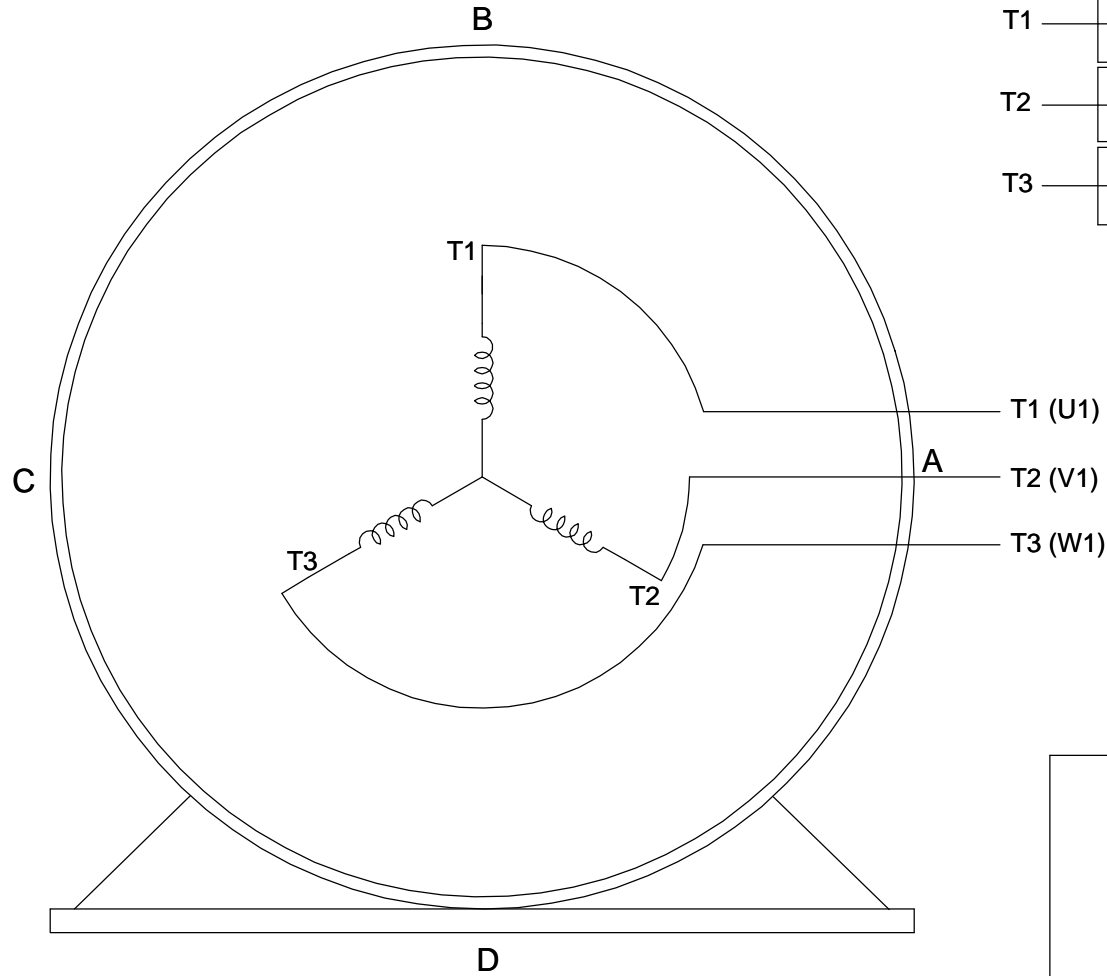
| | | |
|---|--------------------|--------------------|
| DRAWING REVISION C | REVISION BY GNK | DATE 04/05/2018 |
| ECO ECO-0143704 | APPROVED BY SBD | DATE 05/04/2018 |
| ECO DESCRIPTION DRAWING UPDATED | | |
| <small>COPYRIGHT REGAL BELOIT AMERICA, INC. ALL RIGHTS RESERVED. PROPRIETARY AND CONFIDENTIAL INFORMATION - THIS DOCUMENT IS THE PROPERTY OF REGAL BELOIT AMERICA, INC. ("OWNER") AND CONTAINS OWNER'S PROPRIETARY INFORMATION. ANY PERSON, CORPORATION OR OTHER FIRM RECEIVING IT IS DEEMED, BY RECEIVING IT, TO AGREE THAT IT, AND/OR ANY PART OF IT, SHALL NOT BE DISCLOSED TO ANY PERSON, CORPORATION OR OTHER ENTITY, DUPLICATED, AND/OR USED, EXCEPT AS EXPRESSLY APPROVED IN WRITING IN ADVANCE BY OWNER. THIS DOCUMENT SHALL BE RETURNED TO OWNER UPON REQUEST. IT MAY BE SUBJECT TO CERTAIN RESTRICTIONS UNDER APPLICABLE EXPORT CONTROL LAWS AND REGULATIONS.</small> | | |

| | |
|---------------------------|--|
| DRAWN BY NIV |  Regal Beloit America, Inc. |
| DATE 25/03/2016 | |
| APPROVED BY SBD | DESCRIPTION OUTLINE 444/445T FR-TEFC |
| DATE 25/03/2016 | MATERIAL |
| REFERENCE | PROCESS/FINISH |
| THIRD ANGLE PROJECTION | SIZE B |
| | DRAWING NUMBER SS557009 |
| | SHEET 1 OF 1 |

**THREE PHASE - SINGLE VOLTAGE
MOTOR - CONDUIT BOX @ 'A'**

**TO REVERSE ROTATION:
INTERCHANGE ANY TWO
LINE LEAD CONNECTIONS.**

TERMINAL BLOCK WHEN SPECIFIED



VIEW OF TERMINAL END

**IF MOTOR HAS
6 LEADS**



A-9806 DECAL

**OPTIONAL CORD
CONNECTION**

- L1 WHITE
- L2 RED
- L3 BLACK

| | | |
|---|--------------------|--------------------|
| DRAWING REVISION AB | REVISION BY JJB | DATE 06-27-2017 |
| ECO ECO-0125361 | APPROVED BY TB | DATE 06-27-2017 |
| ECO DESCRIPTION UPDATED TO CURRENT STANDARDS | | |
| <small>COPYRIGHT REGAL BELOIT AMERICA, INC. ALL RIGHTS RESERVED. PROPRIETARY AND CONFIDENTIAL INFORMATION - THIS DOCUMENT IS THE PROPERTY OF REGAL BELOIT AMERICA, INC. ("OWNER") AND CONTAINS OWNER'S PROPRIETARY INFORMATION. ANY PERSON, CORPORATION OR OTHER FIRM RECEIVING IT IS DEEMED, BY RECEIVING IT, TO AGREE THAT IT, AND/OR ANY PART OF IT, SHALL NOT BE DISCLOSED TO ANY PERSON, CORPORATION OR OTHER ENTITY, DUPLICATED, AND/OR USED, EXCEPT AS EXPRESSLY APPROVED IN WRITING IN ADVANCE BY OWNER. THIS DOCUMENT SHALL BE RETURNED TO OWNER UPON REQUEST. IT MAY BE SUBJECT TO CERTAIN RESTRICTIONS UNDER APPLICABLE EXPORT CONTROL LAWS AND REGULATIONS.</small> | | |



| |
|---------------------------|
| DRAWN BY DA |
| DATE 03-26-1993 |
| APPROVED BY TB |
| DATE 03-26-1993 |
| REFERENCE |
| THIRD ANGLE PROJECTION |

| | |
|----------------------------|---------------------------------|
| Regal Beloit America, Inc. | |
| | |
| MATERIAL | PROCESS/FINISH |
| SIZE A | DRAWING NUMBER EE7300 |
| SHEET 1 OF 1 | |



**P.O. BOX 8003
WAUSAU, WI 54401-8003
PH. 715-675-3311**

CERTIFICATION DATA SHEET

CUSTOMER: CUSTOMER PO #:
ORDER #: MODEL #: 444TTFCDD6044 AA
CONN. DIAGRAM: EE7300 CUSTOMER PART #:
OUTLINE: SSS57009 MOUNTING: F1/F2 CAPABLE
WINDING #: HE32804010 2

TYPICAL MOTOR PERFORMANCE DATA

| HP | KW | SYNC. RPM | F.L. RPM | FRAME | ENCLOSURE | KVA CODE | DESIGN | |
|-----|------|-----------|----------|------------------|------------|----------|--------|-------|
| 125 | 93.0 | 1800 | 1790 | 444T | TEFC | G | B | |
| PH | HZ | VOLTS | AMPS | START TYPE | DUTY | INSL | S.F. | AMB°C |
| 3 | 60 | 575 | 112 | LINE OR INVERTER | CONTINUOUS | F7 | 1.15 | 40 |

| | | | | | | | | |
|-----------------------|------|----------------------|------|----------------------|----|-----------------|--|-------------------|
| FULL LOAD EFF: | 95.4 | 3/4 LOAD EFF: | 95.4 | 1/2 LOAD EFF: | 95 | GTD. EFF | | ELEC. TYPE |
| FULL LOAD PF: | 87.5 | 3/4 LOAD PF: | 84.2 | 1/2 LOAD PF: | 77 | 95 | | SQ CAGE INV RATED |

| F.L. TORQUE | LOCKED ROTOR AMPS | L.R. TORQUE | B.D. TORQUE | F.L. RISE°C |
|-------------|-------------------|-----------------|-----------------|-------------|
| 367 LB-FT | 724 | 679 LB-FT 185 % | 991 LB-FT 270 % | 55 |

| SOUND PRESSURE @ 3 FT. | SOUND POWER | ROTOR WK^2 | MAX. WK^2 | SAFE STALL TIME | STARTS / HOUR | APPROX. MOTOR WGT |
|------------------------|-------------|------------|-------------|-----------------|---------------|-------------------|
| 66 DBA | 76 DBA | 60 LB-FT^2 | 750 LB-FT^2 | 25 SEC. | 2 | 2375 LBS. |

***** SUPPLEMENTAL INFORMATION *****

| DE BRACKET TYPE | ODE BRACKET TYPE | MOUNT TYPE | ORIENTATION | SEVERE DUTY | HAZARDOUS LOCATION | DRIP COVER | SCREENS | PAINT |
|-----------------|------------------|------------|-------------|-------------|--------------------|-------------------------|----------------|---------------|
| STANDARD | STANDARD | RIGID | HORIZONTAL | FALSE | DIVISION 2 T2B | FALSE | NONE | BLUE (ENAMEL) |
| BEARINGS DE | ODE | GREASE | SHAFT TYPE | SPECIAL DE | SPECIAL ODE | SHAFT MATERIAL | FRAME MATERIAL | |
| BALL | BALL | POLYREX EM | T | NONE | NONE | 1045 HOT ROLLED (C-204) | CAST IRON | |
| 6319 | 6317 | | | | | | | |

| THERMO-PROTECTORS | | | | THERMISTORS | | | CONTROL | | SPACE HEATERS | |
|-------------------|------------|----------|----------|-------------|-------|------|---------|------|---------------|--|
| THERMOSTATS | PROTECTORS | WDG RTDS | BRG RTDS | NONE | FALSE | NONE | NONE | NONE | VOLTS | |
| NONE | NOT | NONE | NONE | | | | | | | |

| | |
|-----------------------------|---------------|
| * INVERTER TORQUE: | VARIABLE 10:1 |
| INV. HP SPEED RANGE: | NONE |
| ENCODER: | NONE |
| O NONE | NONE |
| N NONE | NONE |
| T NONE | PPR |
| E NONE | PPR |
| S NONE | PPR |
| * BRAKE: | NONE |
| T NONE | NONE |
| E NONE | P/N NONE |
| S NONE | NONE |
| * FT-LB | NONE |
| V | NONE |
| HZ | NONE |

PREPARED BY: Fareeda Dudekula
DATE: 05/14/2018 01:31:50 AM
FORM 3531 REV.3 02/07/99
**** Subject to change without notice.**

Data Sheet

Date: 5/3/2018

4441TFC06044

Customer: _____



Submital

Attention: FAREEDA DUDEKULA

Data @ 575 V

Motor Load Data

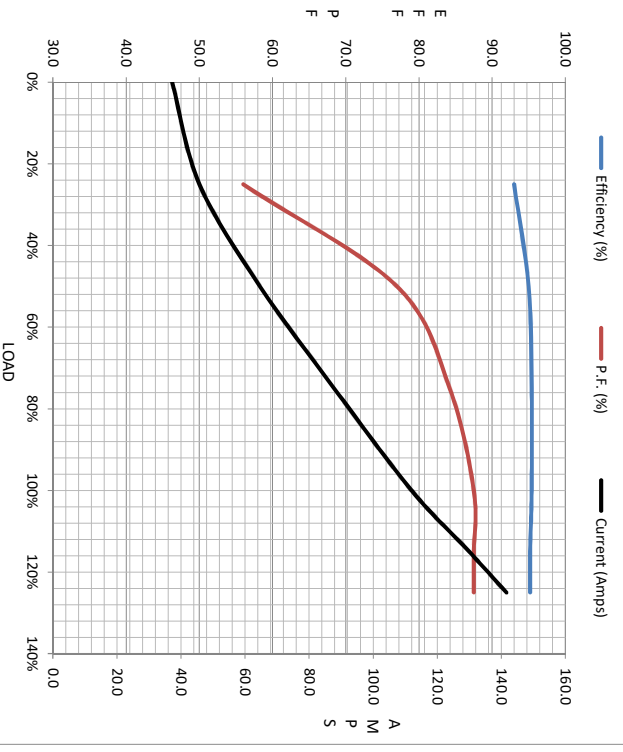
| Load | 0% | 25% | 50% | 75% | 100% | 115% | 125% | LR |
|----------------|------|------|------|------|------|-------|------|------|
| Current (Amps) | 37.2 | 45.8 | 64.6 | 87.8 | 112 | 130 | 142 | 724 |
| Torque (ft-lb) | 0.00 | 91.5 | 183 | 275 | 367 | 423 | 460 | 679 |
| RPM | 1800 | 1796 | 1794 | 1792 | 1790 | 1,788 | 1786 | 0 |
| Efficiency (%) | | 93.0 | 95.0 | 95.4 | 95.4 | 95.2 | 95.2 | |
| P.F. (%) | 5.0 | 56.0 | 77.0 | 84.2 | 87.5 | 87.5 | 87.5 | 36.0 |

Motor Speed Data

| | LR | Pull-Up | BD | Rated | Idle |
|----------------|-----|---------|------|-------|------|
| Speed (RPM) | 0 | 900 | 1755 | 1790 | 1800 |
| Current (Amps) | 724 | 576 | 408 | 112 | 37.2 |
| Torque (ft-lb) | 679 | 570 | 991 | 367 | 0.00 |

Information Block

| | | | | |
|-----------------------------|-------------------------|--------|--------|--------|
| HP | 125.0 | | | |
| Sync. RPM | 1800 | | | |
| Frame | 444182TFC06080 | | | |
| Enclosure | TEFC | | | |
| Construction | TFC | | | |
| Voltage | 575 V | | | |
| Frequency | 60 Hz | | | |
| Design | A | | | |
| LR Code letter | G | | | |
| Service Factor | 1.15 | | | |
| Temp Rise @ FL | 55 °C | | | |
| Duty | CONT | | | |
| Ambient | 40 °C | | | |
| Elevation | 1,000 feet | | | |
| Rotor/Shaft wk ² | 60.0 Lb-Ft ² | | | |
| Ref Wdg | HE32804010 NONE | | | |
| Sound Pressure @ 1M | 80 dbA | | | |
| VFD Rating | VARIABLE 10:1 | | | |
| Outline Dwg | SS557009 | | | |
| Conn. Diag | EE7300 | | | |
| Additional Specifications: | | | | |
| 0 | | | | |
| 0 | | | | |
| R1 | R2 | X1 | X2 | Xm |
| 0.0350 | 0.0180 | 0.2380 | 0.4360 | 9.0450 |
| EQUIV CKT (OHMS / PHASE) | | | | |



Speed - Torque Curve

