

PRODUCT INFORMATION PACKET

Model No: 444TTGN16580
Catalog No: E580A
100,1200,EPFC,444T,3/60/230/460
Explosion Proof



Regal and Marathon are trademarks of Regal Beloit Corporation or one of its affiliated companies.
©2018 Regal Beloit Corporation, All Rights Reserved. MC017097E





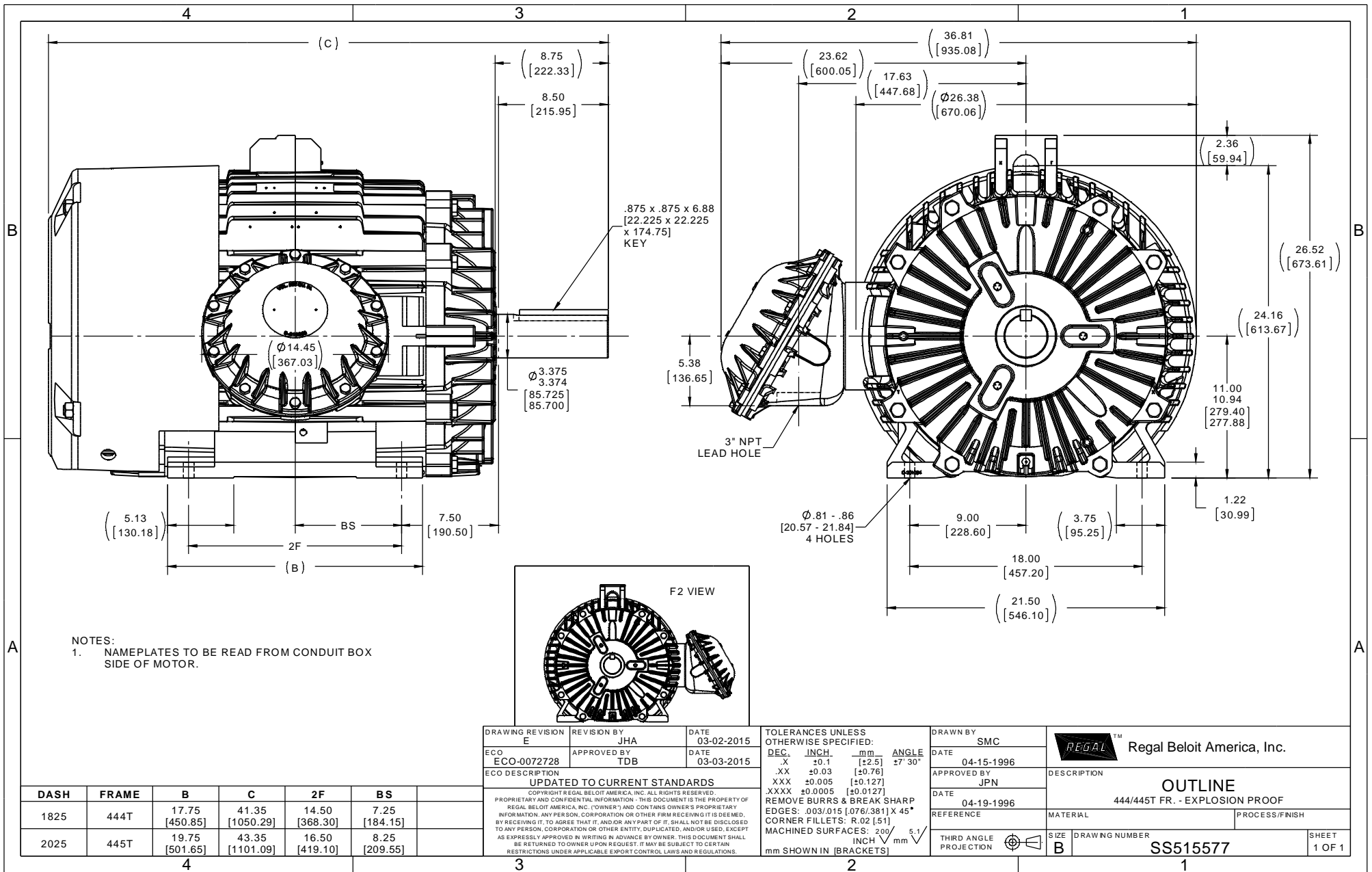
Nameplate Specifications

Output HP	100 Hp	Output KW	75.0 kW
Frequency	60 Hz	Voltage	230/460 V
Current	248.0/124.0 A	Speed	1188 rpm
Service Factor	1.15	Phase	3
Efficiency	95 %	Duty	Continuous
Insulation Class	F	Design Code	B
KVA Code	G	Frame	444T
Enclosure	Explosion Proof Fan cooled	Overload Protector	No
Ambient Temperature	40 °C	Drive End Bearing Size	6318
Opp Drive End Bearing Size	6316	UL	No
CSA	N	CE	N
IP Code	54		

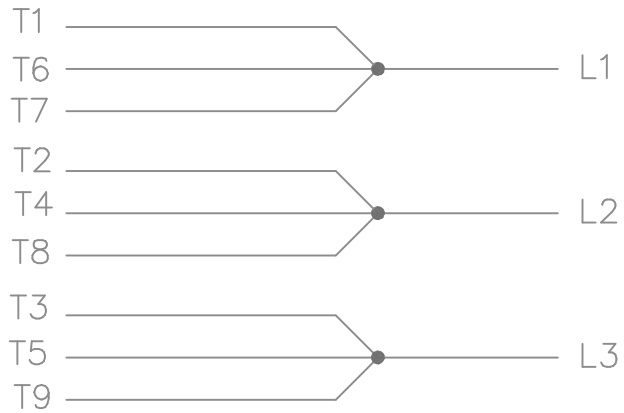
Technical Specifications

Electrical Type	Squirrel Cage Inverter Rated	Starting Method	Line Or Inverter
Poles	6	Rotation	Reversible
Mounting	Rigid base	Motor Orientation	Horizontal
Drive End Bearing	Ball	Opp Drive End Bearing	Ball
Frame Material	Cast Iron	Shaft Type	T
Overall Length	41.35 in	Frame Length	18.25 in
Shaft Diameter	3.375 in	Shaft Extension	8.75 in
Assembly/Box Mounting	F1 Only		
Outline Drawing	B-SS515577-1825	Connection Diagram	A-EE7308AD

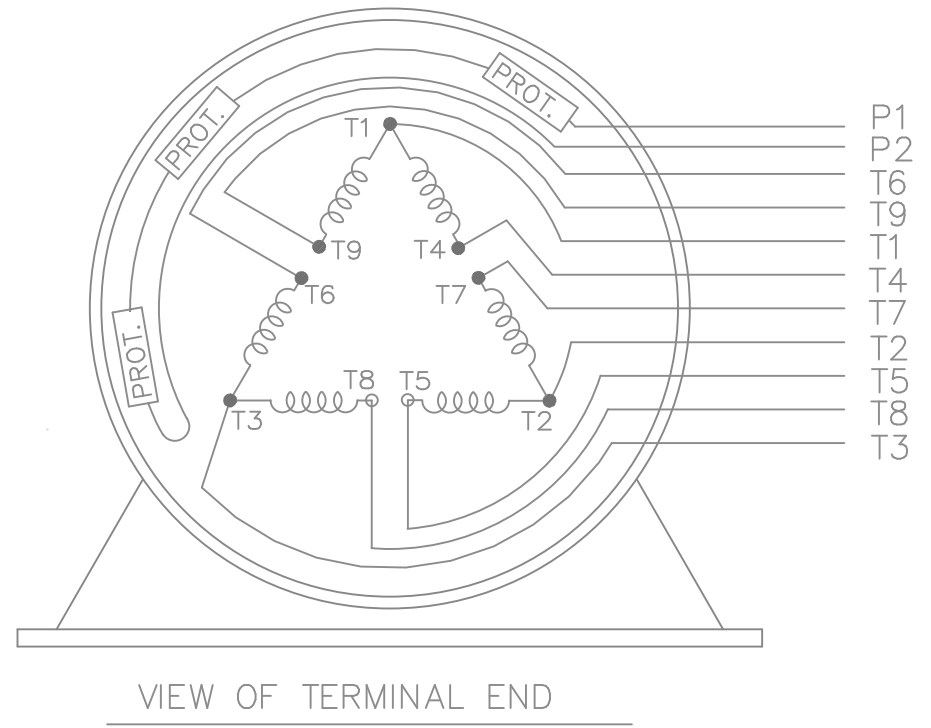
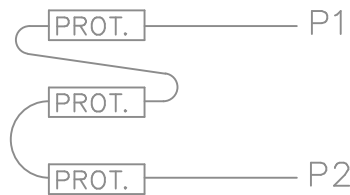
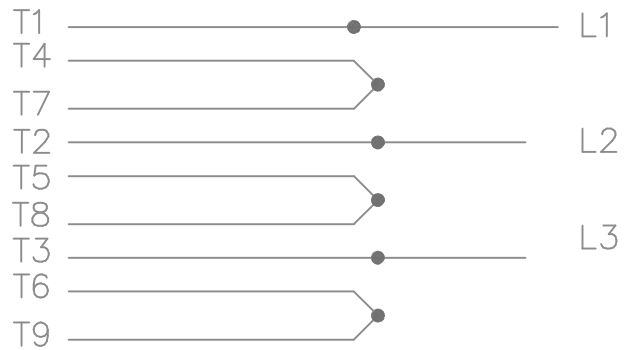
This is an uncontrolled document once printed or downloaded and is subject to change without notice. Date Created: 06/29/2018



LOW VOLTAGE



HIGH VOLTAGE



VIEW OF TERMINAL END

WHEN MORE THAN ONE PROT. IS USED; PROT. ARE CONNECTED IN SERIES

				TOLERANCES UNLESS SPECIFIED		MARATHON ELECTRIC	DRAWN MJD 12-19-1997					
				DEC.	INCHES		CHK	ML	01-07-1998			
				.X	±.1	TITLE CONNECTION DIAGRAM 3φ - WITH PROTECTORS	APPD	GK	01-07-1998	SCALE		
8	HIGH VOLT. SCHEMATIC WAS L1, L3 & L3	CN 32724	DRS 06-12-2004	ML	.XXX ±.005		REF			FMF		
7	REDRAWN ON CADD		MJD 01-07-1998		.XXXX ±.0005					PREV		
NO.	REVISION		BY & DATE	CHK	ANG	±'30"	FINISH					
THIS DRAWING IN DESIGN AND DETAIL IS OUR PROPERTY AND MUST NOT BE USED EXCEPT IN CONNECTION WITH OUR WORK ALL RIGHTS OF DESIGN AND INVENTION ARE RESERVED THIS IS AN ELECTRONICALLY GENERATED DOCUMENT - DO NOT SCALE THIS PRINT				RFP			CAD FILE ee7308ad	SIZE	DRAWING NO.	PAGE	OF	REV.
				DIST	WA-LB			A	EE7308AD			8

CERTIFICATION DATA SHEET

Model#: 444TTGN16580 AA **WINDING#:** T444689 NONE 1
CONN. DIAGRAM: A-EE7308AD **ASSEMBLY:** F1 ONLY
OUTLINE: B-SS515577-1825

TYPICAL MOTOR PERFORMANCE DATA

HP	KW	SYNC. RPM	F.L. RPM	FRAME	ENCLOSURE	KVA CODE	DESIGN
100&75	75&56	1200	1188&990	444T	EPFC	G	B

PH	Hz	VOLTS	FL AMPS	START TYPE	DUTY	INSL	S.F	AMB°C	ELEVATION
3	60/50	230/460#190/ 380	248/124&230/ 115	LINE OR INVERTER	CONTINUOU S	F1	1.15/1.15	40	3300

FULL LOAD EFF: 95&94.5	3/4 LOAD EFF: 95	1/2 LOAD EFF: 94.1	GTD. EFF	ELEC. TYPE	NO LOAD AMPS
			94.5	SQ CAGE INV RATED	107 / 53.5

F.L. TORQUE	LOCKED ROTOR AMPS	L.R. TORQUE	B.D. TORQUE	F.L. RISE°C
442 LB-FT	1450 / 725	750 LB-FT 170	1100 LB-FT 249	70

SOUND PRESSURE @ 3 FT.	SOUND POWER	ROTOR WK^2	MAX. WK^2	SAFE STALL TIME	STARTS /HOUR	APPROX. MOTOR WGT
72 dBA	82 dBA	55 LB-FT^2	1400 LB-FT^2	25 SEC.	2	1850 LBS.

***** SUPPLEMENTAL INFORMATION *****

DE BRACKET TYPE	ODE BRACKET TYPE	MOUNT TYPE	ORIENTATION	SEVERE DUTY	HAZARDOUS LOCATION	DRIP COVER	SCREENS	PAINT
STANDARD	STANDARD	RIGID	HORIZONTAL	PREMIUM SEVERE DUTY	EXP PROOF CL I GR C&D CL II GR F&G T3C	FALSE	NONE	BLUE (EPOXY)

BEARINGS		GREASE	SHAFT TYPE	SPECIAL DE	SPECIAL ODE	SHAFT MATERIAL	FRAME MATERIAL
DE	OPE						
BALL 6318	BALL 6316	POLYREX EM	T	NONE	NONE	1045 HOT ROLLED (C-204)	CAST IRON

THERMO-PROTECTORS				THERMISTORS	CONTROL	SPACE /n HEATERS
THERMOSTATS	PROTECTORS	WDG RTDs	BRG RTDs			
TSTATS (N/C)	NOT	NONE	NONE	NONE	FALSE	NONE VOLTS

If Inverter equals NONE, contact factory for further information

INVERTER TORQUE: VARIABLE 10:1
INV. HP SPEED RANGE: NONE
ENCODER: NONE
NONE NONE
NONE NONE PPR
BRAKE: NONE NONE
NONE P/N NONE
NONE NONE
- FT-LB NONE V NONE Hz

*
N
O
T
E
S
*

DATE: 06/21/2017 04:39:43 AM
 FORM 3531 REV.3 02/07/99
 ** Subject to change without notice.

Data Sheet

Date: 16-06-2017
 Customer: _____
 Attention: _____
 Submitted by: FAREEDA DUDEKULA



444TTGN16580

Submittal

Data @ 460 V

Motor Load Data

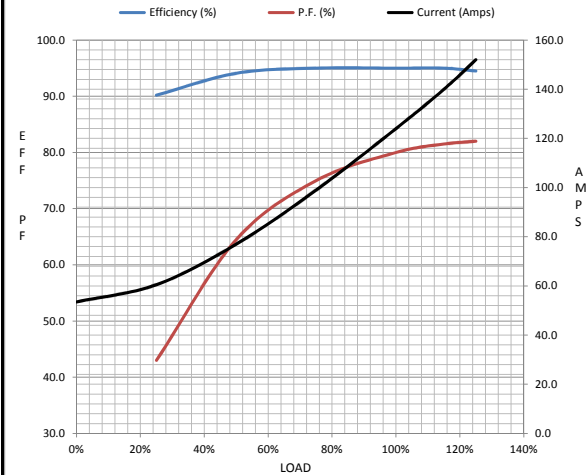
Load	0%	25%	50%	75%	100%	115%	125%	LR
Current (Amps)	53.5	60.5	77.0	99.0	124	140	152	725
Torque (ft-lb)	0.00	110	220	331	442	509	554	750
RPM	1200	1198	1195	1192	1188	1,186	1184	0
Efficiency (%)		90.2	94.1	95.0	95.0	95.0	94.5	
P.F. (%)	4.0	43.0	64.5	75.0	80.0	81.5	82.0	28.0

Motor Speed Data

	LR	Pull-Up	BD	Rated	Idle
Speed (RPM)	0	600	1150	1188	1200
Current (Amps)	725	650	425	124	53.5
Torque (ft-lb)	750	600	1,100	442	0.00

Information Block

HP	100.0			
Sync. RPM	1200			
Frame	444			
Enclosure	TEFC			
Construction	TFN			
Voltage	30/460#190/38V			
Frequency	60 Hz			
Design	B			
LR Code letter	G			
Service Factor	1.15			
Temp Rise @ FL	70 ° C			
Duty	CONT			
Ambient	40 ° C			
Elevation	1,000 feet			
Rotor/Shaft wk ²	55.0 Lb-Ft ²			
Ref Wdg	T444689 NONE			
Sound Pressure @ 1M	72 dBA			
VFD Rating	VARIABLE 10:1			
Outline Dwg	B-SS515577-1825			
Conn. Diag	A-EE7308AD			
Additional Specifications:				
0				
365THFS8036				
EQUIV CKT (OHMS / PHASE)				
R1	R2	X1	X2	Xm
0.0340	0.0220	0.2350	0.2780	4.8420



Speed -Torque Curve

