

PRODUCT INFORMATION PACKET

marathon[®]
Motors

Model No: 445TTDCD6060
Catalog No: GT0055A
200,1800,DP,445T,3/60/460PWS
Open Drip Proof (ODP)



Regal and Marathon are trademarks of Regal Beloit Corporation or one of its affiliated companies.
©2018 Regal Beloit Corporation, All Rights Reserved. MC017097E

REGAL[®]



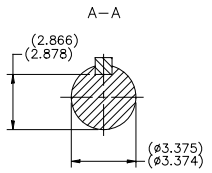
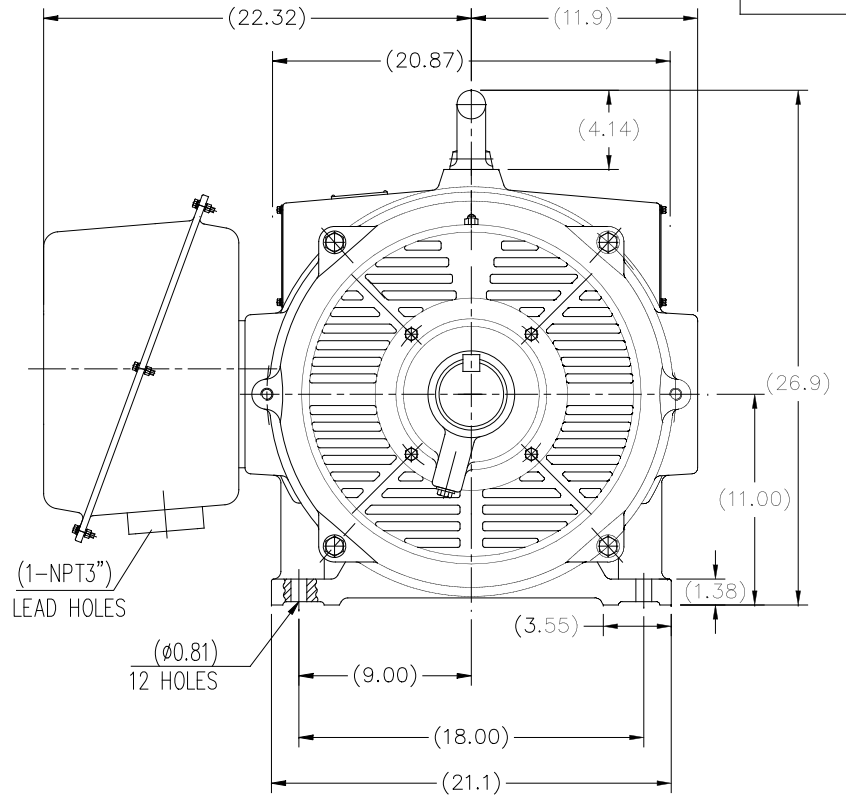
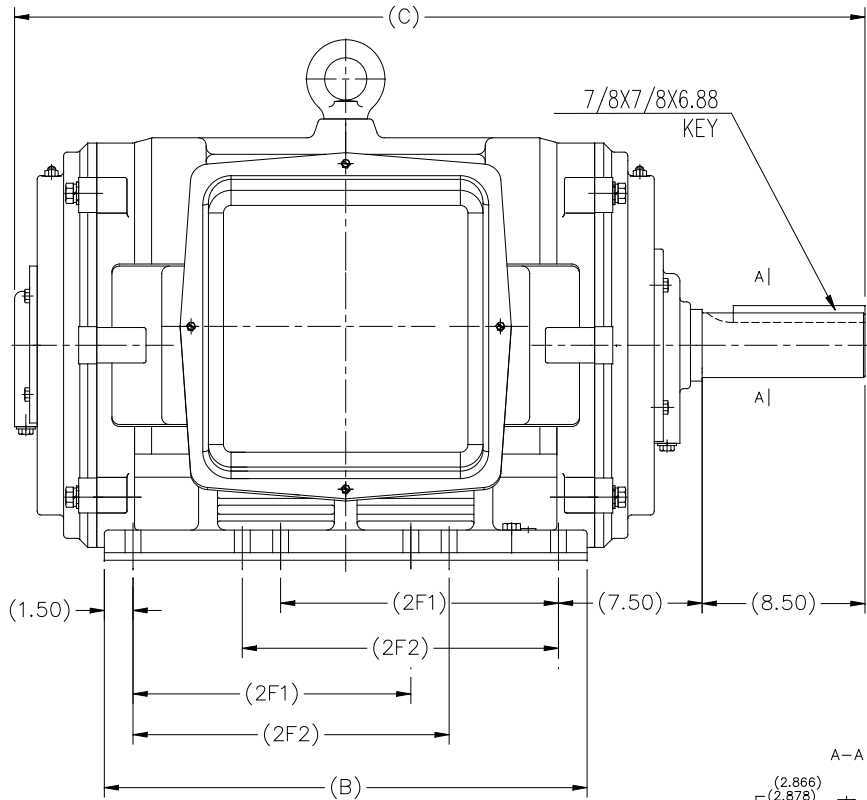
Nameplate Specifications

Output HP	200 Hp	Output KW	149.0 kW
Frequency	60 Hz	Voltage	460 V
Current	223.0 A	Speed	1790 rpm
Service Factor	1.15	Phase	3
Efficiency	95.8 %	Duty	Continuous
Insulation Class	F	Design Code	B
KVA Code	G	Frame	445T
Enclosure	Drip Proof	Overload Protector	No
Ambient Temperature	40 °C	Drive End Bearing Size	6319
Opp Drive End Bearing Size	6317	UL	Recognized
CSA	Y	CE	Y
IP Code	22		

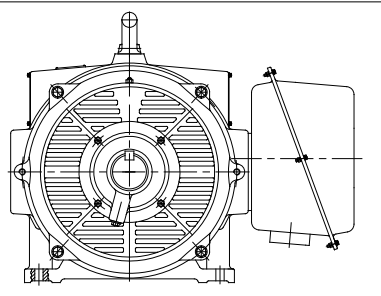
Technical Specifications

Electrical Type	Squirrel Cage Inverter Rated	Starting Method	Part Wdg Start Or Inverter
Poles	4	Rotation	Reversible
Mounting	Rigid base	Motor Orientation	Horizontal
Drive End Bearing	Ball	Opp Drive End Bearing	Ball
Frame Material	Cast Iron	Shaft Type	T
Overall Length	44.57 in	Shaft Diameter	3.375 in
Shaft Extension	8.5 in	Assembly/Box Mounting	F1/F2 Capable
Outline Drawing	SS620758-445T	Connection Diagram	EE7341C

This is an uncontrolled document once printed or downloaded and is subject to change without notice. Date Created: 06/29/2018



F2 MOUNTING



444T	44.57	25.2	14.5	16.5
445T				
447T	49.69	30.31	20	25
449T				
Frame	C	B	2F1	2F2

		TOLERANCES UNLESS SPECIFIED		DRAWN 2XW 07-21-2016	
		DEC.	INCHES	CHK	
		.X	±.1	APPD	
		.XX	±.03	SCALE NONE	
		.XXX	±.005	REF	
		.XXXX	±.0005	FINISH	
NO. REVISION		BY & DATE	CHK	FINISH	
THIS DRAWING IN DESIGN AND DETAIL IS OUR PROPERTY AND MUST NOT BE USED EXCEPT IN CONNECTION WITH OUR WORK ALL RIGHTS OF DESIGN AND INVENTION ARE RESERVED THIS IS AN ELECTRONICALLY GENERATED DOCUMENT - DO NOT SCALE THIS PRINT		RFP	ANG	CAD FILE SS620758	
		DIST		SIZE B	DRAWING NO. SS620758
				PAGE 1 OF 1	REV.



REGAL-BELOIT CORPORATION

TITLE OUTLINE 444/445/447/449T FR - ODP - CAST IRON

MAT'L.

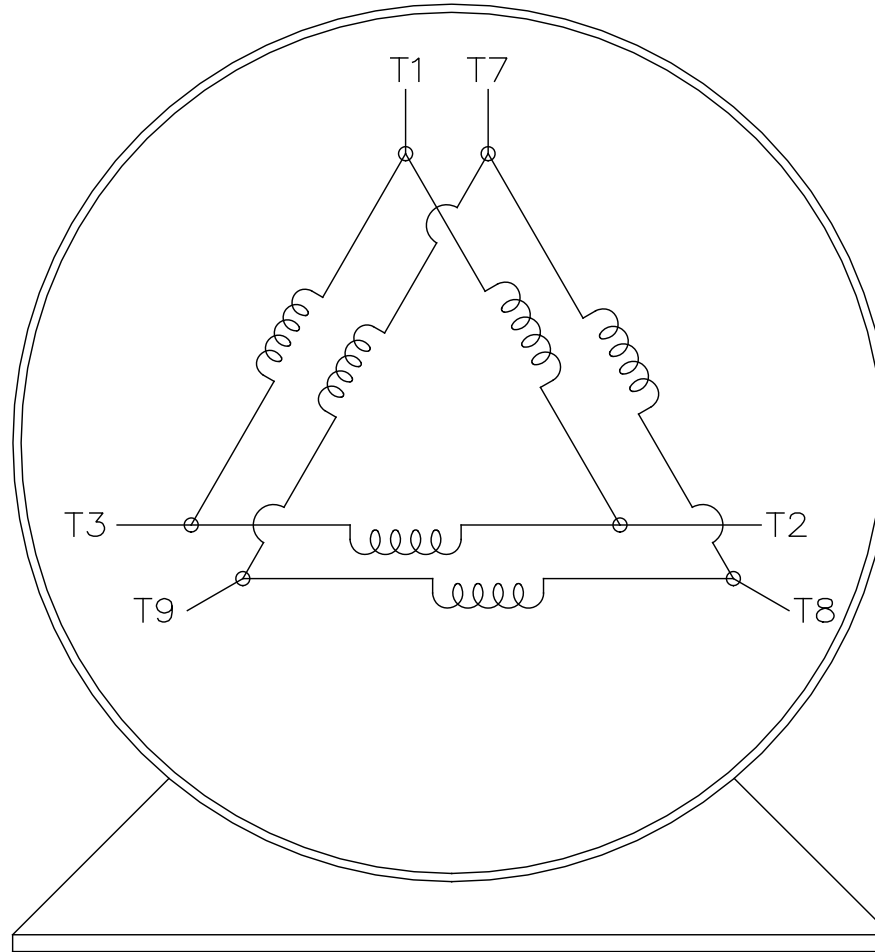
THREE PHASE – PART WINDING START
DELTA – 6 LEADS

START

CONNECT T1 TO LINE 1
CONNECT T2 TO LINE 2
CONNECT T3 TO LINE 3
T7–T8–T9 OPEN

RUN

CONNECT T1&T7 TO LINE 1
CONNECT T2&T8 TO LINE 2
CONNECT T3&T9 TO LINE 3



VIEW OF TERMINAL END

		TOLERANCES UNLESS SPECIFIED		REGAL - BELOIT CORPORATION		DRAWN BLR 03-09-1998				
		DEC.	INCHES			CHK	ML 03-23-1998			
		.X	±	–	TITLE CONNECTION DIAGRAM 3Ø – 6 LEADS	APPD	GK 03-23-1998			
		.XX	±	–		SCALE	1=1			
		.XXX	±	–		REF				
D	RE-DRAWN WITH REGAL LOGO ECO-0110493	WGJ	09-30-2016	EMH	.XXXX	±	–	MAT'L.	FMF	
NO.	REVISION	BY & DATE	CHK	ANG	±	–	FINISH	PREV		
THIS DRAWING IN DESIGN AND DETAIL IS OUR PROPERTY AND MUST NOT BE USED EXCEPT IN CONNECTION WITH OUR WORK ALL RIGHTS OF DESIGN AND INVENTION ARE RESERVED THIS IS AN ELECTRONICALLY GENERATED DOCUMENT – DO NOT SCALE THIS PRINT					RFP	CAD FILE EE7341C		SIZE	DRAWING NO. PAGE OF	REV.
					DIST			A	EE7341C	D

CERTIFICATION DATA SHEET

Model#: 445TTDCD6060 AA **WINDING#:** HE32804016 NONE 1
CONN. DIAGRAM: EE7341C **ASSEMBLY:** F1/F2 CAPABLE
OUTLINE: SS620758

TYPICAL MOTOR PERFORMANCE DATA

HP	KW	SYNC. RPM	F.L. RPM	FRAME	ENCLOSURE	KVA CODE	DESIGN
200&150	149&112	1800	1790&1490	445T	DP	G	B

PH	Hz	VOLTS	FL AMPS	START TYPE	DUTY	INSL	S.F	AMB°C	ELEVATION
3	60/50	460#380	223&203	PWS OR INVERTER	CONTINUOUS	F7	1.15/1.15	40	3300

FULL LOAD EFF: 95.8&95.8	3/4 LOAD EFF: 95.8	1/2 LOAD EFF: 95.4	GTD. EFF	ELEC. TYPE	NO LOAD AMPS
FULL LOAD PF: 87.5&87	3/4 LOAD PF: 85.5	1/2 LOAD PF: 79	95.4	SQ CAGE INV RATED	66

F.L. TORQUE	LOCKED ROTOR AMPS	L.R. TORQUE	B.D. TORQUE	F.L. RISE°C
588 LB-FT	1430	1233 LB-FT 210	1408 LB-FT 240	45

SOUND PRESSURE @ 3 FT.	SOUND POWER	ROTOR WK^2	MAX. WK^2	SAFE STALL TIME	STARTS /HOUR	APPROX. MOTOR WGT
84 dBA	94 dBA	88 LB-FT^2	1000 LB-FT^2	20 SEC.	2	2200 LBS.

***** SUPPLEMENTAL INFORMATION *****

DE BRACKET TYPE	ODE BRACKET TYPE	MOUNT TYPE	ORIENTATION	SEVERE DUTY	HAZARDOUS LOCATION	DRIP COVER	SCREENS	PAINT
STANDARD	STANDARD	RIGID	HORIZONTAL	FALSE	NONE	FALSE	NONE	BLUE (ENAMEL)

BEARINGS		GREASE	SHAFT TYPE	SPECIAL DE	SPECIAL ODE	SHAFT MATERIAL	FRAME MATERIAL
DE	OPE						
BALL	BALL	POLYREX EM	T	NONE	NONE	1045 HOT ROLLED (C-204)	CAST IRON
6319	6317						

THERMO-PROTECTORS				THERMISTORS	CONTROL	SPACE /n HEATERS
THERMOSTATS	PROTECTORS	WDG RTDs	BRG RTDs			
NONE	NOT	NONE	NONE	NONE	FALSE	NONE VOLTS

If Inverter equals NONE, contact factory for further information

INVERTER TORQUE: VARIABLE 10:1
INV. HP SPEED RANGE: NONE
ENCODER: NONE
NONE NONE
NONE NONE PPR
BRAKE: NONE NONE
NONE P/N NONE
NONE NONE
NONE FT-LB NONE V NONE Hz

*
N
O
T
E
S
*

DATE: 07/03/2017 02:10:10 AM
FORM 3531 REV.3 02/07/99

** Subject to change without notice.