

# PRODUCT INFORMATION PACKET

Model No: 445TTFCD6037  
Catalog No: GT1152A  
150,1800,TEFC,445T,3/60/575  
Totally Enclosed Fan Cooled (TEFC)



Regal and Marathon are trademarks of Regal Beloit Corporation or one of its affiliated companies.  
©2018 Regal Beloit Corporation, All Rights Reserved. MC017097E



### Nameplate Specifications

Output HP	<b>150 Hp</b>	Output KW	<b>112.0 kW</b>
Frequency	<b>60 Hz</b>	Voltage	<b>575 V</b>
Current	<b>135.0 A</b>	Speed	<b>1790 rpm</b>
Service Factor	<b>1.15</b>	Phase	<b>3</b>
Efficiency	<b>95.8 %</b>	Duty	<b>Continuous</b>
Insulation Class	<b>F</b>	Design Code	<b>B</b>
KVA Code	<b>G</b>	Frame	<b>445T</b>
Enclosure	<b>Totally Enclosed Fan Cooled</b>	Overload Protector	<b>No</b>
Ambient Temperature	<b>40 °C</b>	Drive End Bearing Size	<b>6319</b>
Opp Drive End Bearing Size	<b>6317</b>	UL	<b>Listed</b>
CSA	<b>Y</b>	CE	<b>Y</b>
IP Code	<b>55</b>		

### Technical Specifications

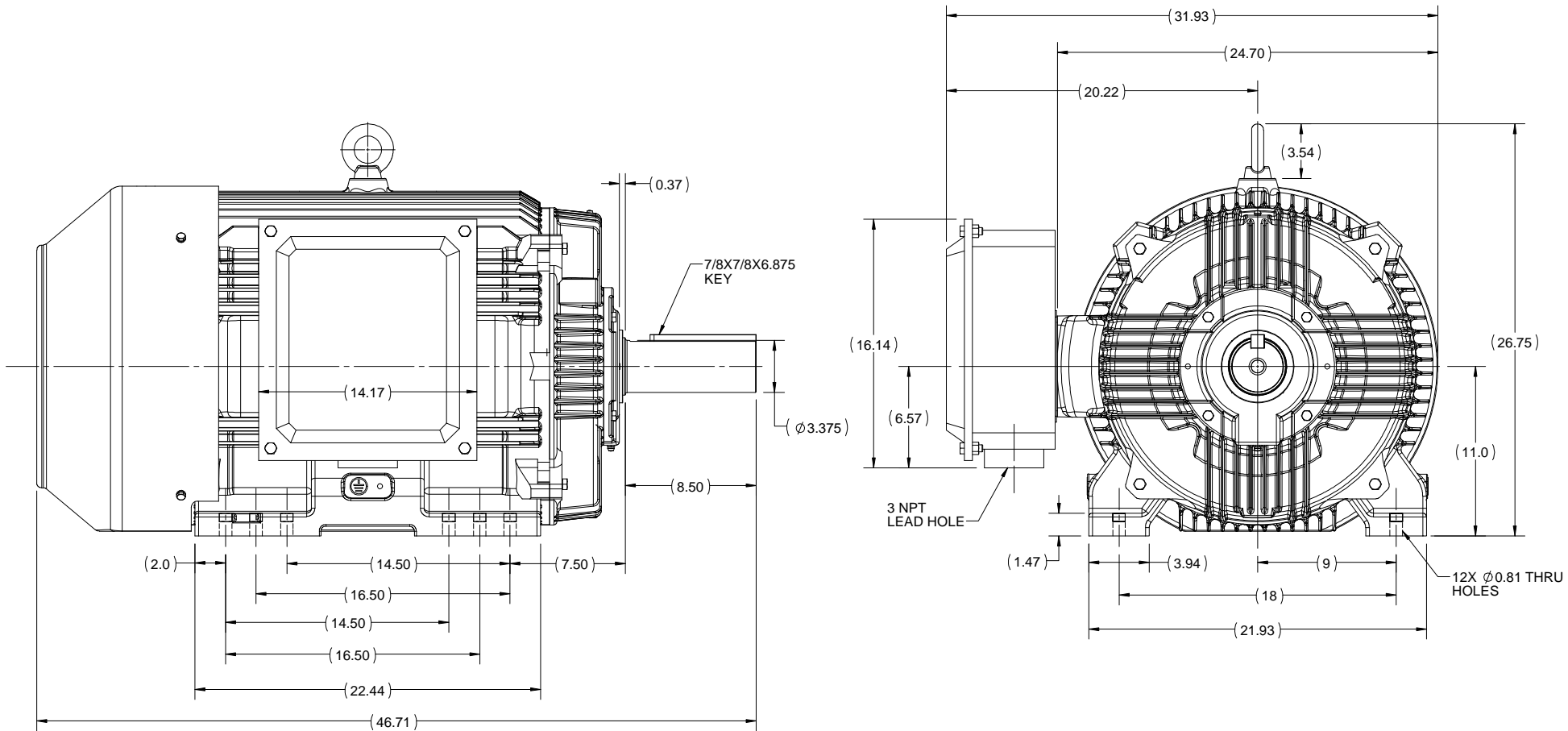
Electrical Type	<b>Squirrel Cage Inverter Rated</b>	Starting Method	<b>Line Or Inverter</b>
Poles	<b>4</b>	Rotation	<b>Reversible</b>
Mounting	<b>Rigid base</b>	Motor Orientation	<b>Horizontal</b>
Drive End Bearing	<b>Ball</b>	Opp Drive End Bearing	<b>Ball</b>
Frame Material	<b>Cast Iron</b>	Shaft Type	<b>T</b>
Frame Length	<b>23.62 in</b>	Shaft Diameter	<b>3.375 in</b>
Shaft Extension	<b>8.5 in</b>	Assembly/Box Mounting	<b>F1/F2 Capable</b>
Outline Drawing	<b>SS557009</b>	Connection Diagram	<b>EE7300</b>

This is an uncontrolled document once printed or downloaded and is subject to change without notice. Date Created: 07/02/2018

# OUTLINE

B


B



A

A

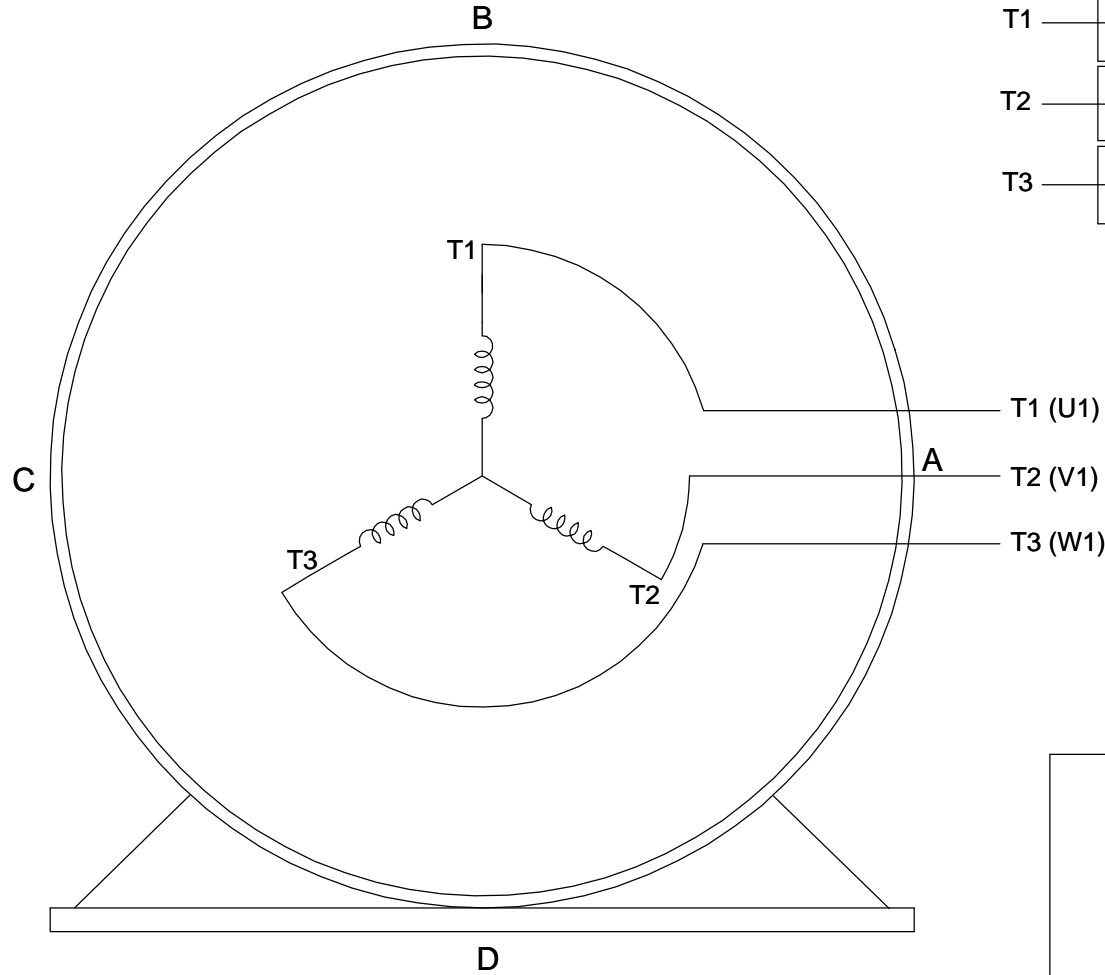
DRAWING REVISION C	REVISION BY GNK	DATE 04/05/2018
ECO ECO-0143704	APPROVED BY SBD	DATE 05/04/2018
ECO DESCRIPTION DRAWING UPDATED		
<small>COPYRIGHT REGAL BELOIT AMERICA, INC. ALL RIGHTS RESERVED.          PROPRIETARY AND CONFIDENTIAL INFORMATION - THIS DOCUMENT IS THE PROPERTY OF          REGAL BELOIT AMERICA, INC. ("OWNER") AND CONTAINS OWNER'S PROPRIETARY          INFORMATION. ANY PERSON, CORPORATION OR OTHER FIRM RECEIVING IT IS DEEMED,          BY RECEIVING IT, TO AGREE THAT IT, AND/OR ANY PART OF IT, SHALL NOT BE DISCLOSED          TO ANY PERSON, CORPORATION OR OTHER ENTITY, DUPLICATED, AND/OR USED, EXCEPT          AS EXPRESSLY APPROVED IN WRITING IN ADVANCE BY OWNER. THIS DOCUMENT SHALL          BE RETURNED TO OWNER UPON REQUEST. IT MAY BE SUBJECT TO CERTAIN          RESTRICTIONS UNDER APPLICABLE EXPORT CONTROL LAWS AND REGULATIONS.</small>		

DRAWN BY NIV	 Regal Beloit America, Inc.		
DATE 25/03/2016			
APPROVED BY SBD	DESCRIPTION <b>OUTLINE</b> 444/445T FR-TEFC		
DATE 25/03/2016	MATERIAL		
REFERENCE	PROCESS/FINISH		
THIRD ANGLE PROJECTION	SIZE B	DRAWING NUMBER <b>SS557009</b>	SHEET 1 OF 1

**THREE PHASE - SINGLE VOLTAGE  
MOTOR - CONDUIT BOX @ 'A'**

**TO REVERSE ROTATION:  
INTERCHANGE ANY TWO  
LINE LEAD CONNECTIONS.**

**TERMINAL BLOCK WHEN SPECIFIED**



**VIEW OF TERMINAL END**

**IF MOTOR HAS  
6 LEADS**



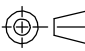
**A-9806 DECAL**

**OPTIONAL CORD  
CONNECTION**

- L1 WHITE
- L2 RED
- L3 BLACK

DRAWING REVISION <b>AB</b>	REVISION BY <b>JJB</b>	DATE <b>06-27-2017</b>
ECO <b>ECO-0125361</b>	APPROVED BY <b>TB</b>	DATE <b>06-27-2017</b>
ECO DESCRIPTION <b>UPDATED TO CURRENT STANDARDS</b>		
<small>COPYRIGHT REGAL BELOIT AMERICA, INC. ALL RIGHTS RESERVED.                  PROPRIETARY AND CONFIDENTIAL INFORMATION - THIS DOCUMENT IS THE PROPERTY OF                  REGAL BELOIT AMERICA, INC. ("OWNER") AND CONTAINS OWNER'S PROPRIETARY                  INFORMATION. ANY PERSON, CORPORATION OR OTHER FIRM RECEIVING IT IS DEEMED,                  BY RECEIVING IT, TO AGREE THAT IT, AND/OR ANY PART OF IT, SHALL NOT BE DISCLOSED                  TO ANY PERSON, CORPORATION OR OTHER ENTITY, DUPLICATED, AND/OR USED, EXCEPT                  AS EXPRESSLY APPROVED IN WRITING IN ADVANCE BY OWNER. THIS DOCUMENT SHALL                  BE RETURNED TO OWNER UPON REQUEST. IT MAY BE SUBJECT TO CERTAIN                  RESTRICTIONS UNDER APPLICABLE EXPORT CONTROL LAWS AND REGULATIONS.</small>		



DRAWN BY <b>DA</b>	 <b>Regal Beloit America, Inc.</b>
DATE <b>03-26-1993</b>	
APPROVED BY <b>TB</b>	DESCRIPTION <b>CONNECTION DIAGRAM</b>
DATE <b>03-26-1993</b>	<b>EXTERNAL - SINGLE VOLTAGE - 3Ø MOTOR</b>
REFERENCE	MATERIAL
PROCESS/FINISH	
THIRD ANGLE PROJECTION 	SIZE <b>A</b>
DRAWING NUMBER <b>EE7300</b>	SHEET <b>1 OF 1</b>



Data Sheet

Date: 5/3/2018

4451TFC06037

Customer: \_\_\_\_\_  
 Attention: \_\_\_\_\_



Submital

Submitted by: FAREEDA DUDEKULA

Data @ 575 V

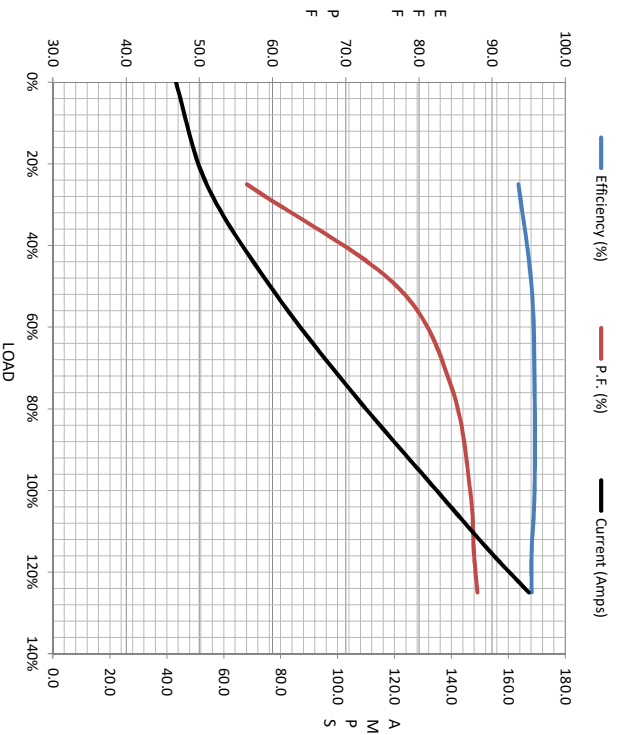
Load	0%	25%	50%	75%	100%	115%	125%	LR
Current (Amps)	43.2	54.0	76.4	104	135	154	167	868
Torque (ft-lb)	0.00	110	220	330	440	508	553	926
RPM	1800	1798	1795	1792	1790	1,790	1788	0
Efficiency (%)		93.6	95.4	95.8	95.8	95.4	95.4	
P.F. (%)	5.0	56.5	77.0	84.5	87.0	87.5	88.0	37.0

Motor Speed Data

	LR	Pull-Up	BD	Rated	Idle
Speed (RPM)	0	900	1745	1790	1800
Current (Amps)	868	696	518	135	43.2
Torque (ft-lb)	926	780	1,232	440	0.00

Information Block

HP	150.0			
Sync. RPM	1800			
Frame	445182TFC06030			
Enclosure	TEFC			
Construction	TFC			
Voltage	575 V			
Frequency	60 Hz			
Design	A			
LR Code letter	G			
Service Factor	1.15			
Temp Rise @ FL	55 °C			
Duty	CONT			
Ambient	40 °C			
Elevation	1,000 feet			
Rotor/Shaft wk²	80.0 Lb-Ft²			
Ref Wdg	HE32804011 NONE			
Sound Pressure @ 1M	80 dbA			
VFD Rating	VARIABLE 10:1			
Outline Dwg	SS557009			
Conn. Diag	EE7300			
Additional Specifications:				
0				
0				
R1	R2	X1	X2	Xm
0.0280	0.0140	0.1740	0.3600	7.6780



Speed - Torque Curve

