

PRODUCT INFORMATION PACKET

Model No: 445TTFCD6080
Catalog No: GT1150A
125,1200,TEFC,445T,3/60/575
Totally Enclosed Fan Cooled (TEFC)



Regal and Marathon are trademarks of Regal Beloit Corporation or one of its affiliated companies.
©2018 Regal Beloit Corporation, All Rights Reserved. MC017097E



Nameplate Specifications

Output HP	125 Hp	Output KW	93.0 kW
Frequency	60 Hz	Voltage	575 V
Current	114.0 A	Speed	1190 rpm
Service Factor	1.15	Phase	3
Efficiency	95 %	Duty	Continuous
Insulation Class	F	Design Code	B
KVA Code	G	Frame	445T
Enclosure	Totally Enclosed Fan Cooled	Overload Protector	No
Ambient Temperature	40 °C	Drive End Bearing Size	6319
Opp Drive End Bearing Size	6317	UL	Listed
CSA	Y	CE	Y
IP Code	55		

Technical Specifications

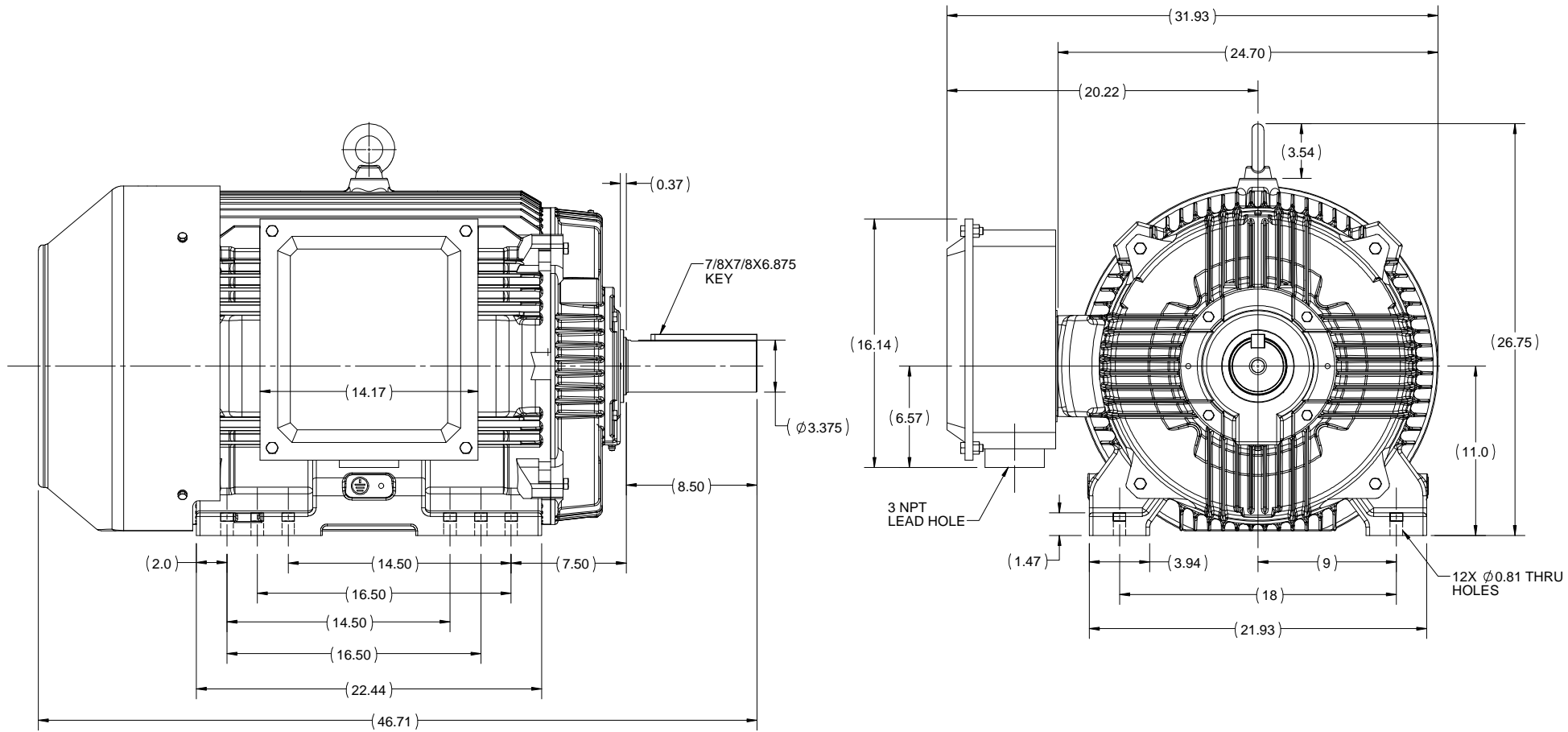
Electrical Type	Squirrel Cage Inverter Rated	Starting Method	Line Or Inverter
Poles	6	Rotation	Reversible
Mounting	Rigid base	Motor Orientation	Horizontal
Drive End Bearing	Ball	Opp Drive End Bearing	Ball
Frame Material	Cast Iron	Shaft Type	T
Frame Length	23.62 in	Shaft Diameter	3.375 in
Shaft Extension	8.5 in	Assembly/Box Mounting	F1/F2 Capable
Outline Drawing	SS557009	Connection Diagram	EE7300

This is an uncontrolled document once printed or downloaded and is subject to change without notice. Date Created: 07/02/2018

OUTLINE

B


B



A

A

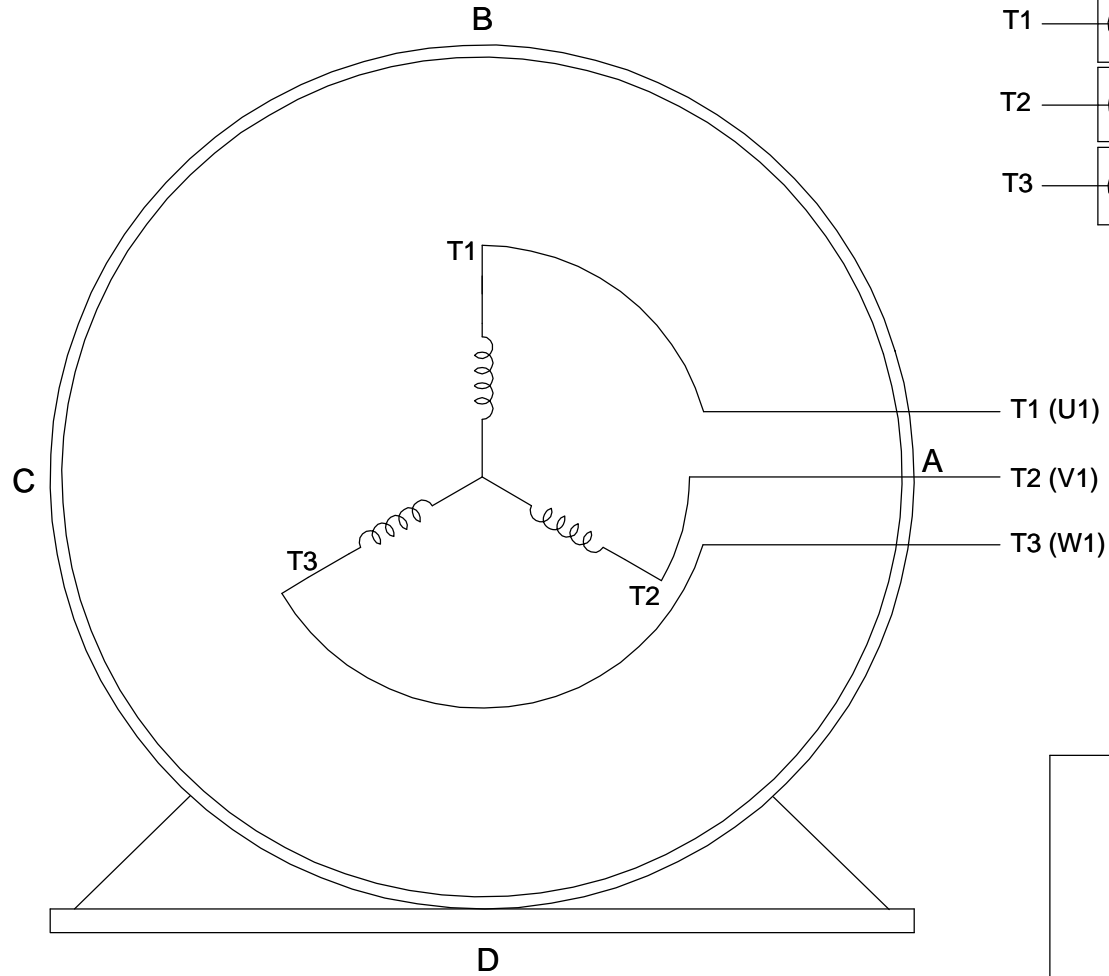
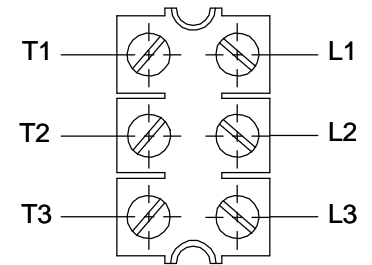
DRAWING REVISION C	REVISION BY GNK	DATE 04/05/2018
ECO ECO-0143704	APPROVED BY SBD	DATE 05/04/2018
ECO DESCRIPTION DRAWING UPDATED		
<small>COPYRIGHT REGAL BELOIT AMERICA, INC. ALL RIGHTS RESERVED. PROPRIETARY AND CONFIDENTIAL INFORMATION - THIS DOCUMENT IS THE PROPERTY OF REGAL BELOIT AMERICA, INC. ("OWNER") AND CONTAINS OWNER'S PROPRIETARY INFORMATION. ANY PERSON, CORPORATION OR OTHER FIRM RECEIVING IT IS DEEMED, BY RECEIVING IT, TO AGREE THAT IT, AND/OR ANY PART OF IT, SHALL NOT BE DISCLOSED TO ANY PERSON, CORPORATION OR OTHER ENTITY, DUPLICATED, AND/OR USED, EXCEPT AS EXPRESSLY APPROVED IN WRITING IN ADVANCE BY OWNER. THIS DOCUMENT SHALL BE RETURNED TO OWNER UPON REQUEST. IT MAY BE SUBJECT TO CERTAIN RESTRICTIONS UNDER APPLICABLE EXPORT CONTROL LAWS AND REGULATIONS.</small>		

DRAWN BY NIV	 Regal Beloit America, Inc.
DATE 25/03/2016	
APPROVED BY SBD	DESCRIPTION OUTLINE
DATE 25/03/2016	444/445T FR-TEFC
REFERENCE	MATERIAL
THIRD ANGLE PROJECTION	PROCESS/FINISH
SIZE B	DRAWING NUMBER SS557009
	SHEET 1 OF 1

**THREE PHASE - SINGLE VOLTAGE
MOTOR - CONDUIT BOX @ 'A'**

**TO REVERSE ROTATION:
INTERCHANGE ANY TWO
LINE LEAD CONNECTIONS.**

TERMINAL BLOCK WHEN SPECIFIED



VIEW OF TERMINAL END

**IF MOTOR HAS
6 LEADS**



A-9806 DECAL

**OPTIONAL CORD
CONNECTION**

- L1 _____ WHITE
- L2 _____ RED
- L3 _____ BLACK

DRAWING REVISION AB	REVISION BY JJB	DATE 06-27-2017
ECO ECO-0125361	APPROVED BY TB	DATE 06-27-2017
ECO DESCRIPTION UPDATED TO CURRENT STANDARDS		
<small>COPYRIGHT REGAL BELOIT AMERICA, INC. ALL RIGHTS RESERVED. PROPRIETARY AND CONFIDENTIAL INFORMATION - THIS DOCUMENT IS THE PROPERTY OF REGAL BELOIT AMERICA, INC. ("OWNER") AND CONTAINS OWNER'S PROPRIETARY INFORMATION. ANY PERSON, CORPORATION OR OTHER FIRM RECEIVING IT IS DEEMED, BY RECEIVING IT, TO AGREE THAT IT, AND/OR ANY PART OF IT, SHALL NOT BE DISCLOSED TO ANY PERSON, CORPORATION OR OTHER ENTITY, DUPLICATED, AND/OR USED, EXCEPT AS EXPRESSLY APPROVED IN WRITING IN ADVANCE BY OWNER. THIS DOCUMENT SHALL BE RETURNED TO OWNER UPON REQUEST. IT MAY BE SUBJECT TO CERTAIN RESTRICTIONS UNDER APPLICABLE EXPORT CONTROL LAWS AND REGULATIONS.</small>		



DRAWN BY DA
DATE 03-26-1993
APPROVED BY TB
DATE 03-26-1993
REFERENCE
THIRD ANGLE PROJECTION

Regal Beloit America, Inc.		
		DESCRIPTION CONNECTION DIAGRAM EXTERNAL - SINGLE VOLTAGE - 3Ø MOTOR
MATERIAL	PROCESS/FINISH	
SIZE A	DRAWING NUMBER EE7300	SHEET 1 OF 1



**P.O. BOX 8003
WAUSAU, WI 54401-8003
PH. 715-675-3311**

CERTIFICATION DATA SHEET

CUSTOMER: CUSTOMER PO #:
ORDER #: MODEL #: 445TTFCD6080 AA
CONN. DIAGRAM: EE7300 CUSTOMER PART #:
OUTLINE: SSS57009 MOUNTING: F1/F2 CAPABLE
WINDING #: HE32806006 2

TYPICAL MOTOR PERFORMANCE DATA

HP	KW	SYNC. RPM	F.L. RPM	FRAME	ENCLOSURE	KVA CODE	DESIGN	
125	93.0	1200	1190	445T	TEFC	G	B	
PH	HZ	VOLTS	AMPS	START TYPE	DUTY	INSL	S.F.	AMB°C
3	60	575	114	LINE OR INVERTER	CONTINUOUS	F7	1.15	40

FULL LOAD EFF:	95	3/4 LOAD EFF:	95	1/2 LOAD EFF:	94.5	GTD. EFF	94.5	ELEC. TYPE
FULL LOAD PF:	86	3/4 LOAD PF:	83.5	1/2 LOAD PF:	76.5	SQ CAGE INV RATED		
F.L. TORQUE	LOCKED ROTOR AMPS	L.R. TORQUE	B.D. TORQUE	F.L. RISE°C				
552 LB-FT	725.6	992 LB-FT	180 %	1410 LB-FT	255 %	55		

SOUND PRESSURE @ 3 FT.	SOUND POWER	ROTOR WK^2	MAX. WK^2	SAFE STALL TIME	STARTS / HOUR	APPROX. MOTOR WGT
75 DBA	85 DBA	108 LB-FT^2	- LB-FT^2	25 SEC.	-	2675 LBS.

***** SUPPLEMENTAL INFORMATION *****

DE BRACKET TYPE	ODE BRACKET TYPE	MOUNT TYPE	ORIENTATION	SEVERE DUTY	HAZARDOUS LOCATION	DRIP COVER	SCREENS	PAINT
STANDARD	STANDARD	RIGID	HORIZONTAL	FALSE	DIVISION 2 T2B	FALSE	NONE	BLUE - MARATHON
BEARINGS		GREASE	SHAFT TYPE	SPECIAL DE	SPECIAL ODE	SHAFT MATERIAL	FRAME MATERIAL	
DE ODE	BALL BALL	POLYREX EM	T	NONE	NONE	1045 HOT ROLLED (C-204)	CAST IRON	

THERMO-PROTECTORS				THERMISTORS			CONTROL		SPACE HEATERS	
THERMOSTATS	PROTECTORS	WDG RTDS	BRG RTDS	NONE	FALSE	NONE	NONE	NONE	VOLTS	
NONE	NOT	NONE	NONE							

* INVERTER TORQUE:	VARIABLE 10:1
INV. HP SPEED RANGE:	NONE
ENCODER:	NONE
O NONE	NONE
T NONE	PPR
E NONE	P/N NONE
S NONE	NONE
* FT-LB	NONE
V	NONE
HZ	

PREPARED BY: Fareeda Dudekula
DATE: 05/14/2018 01:22:38 AM
FORM 3531 REV.3 02/07/99
****** Subject to change without notice.

Data Sheet

Date: 5/3/2018

4451TFC06080

Customer:
 Attention:
 Submitted by: FAREEDA DUDEKULA



Submital
 Data @ 575 V

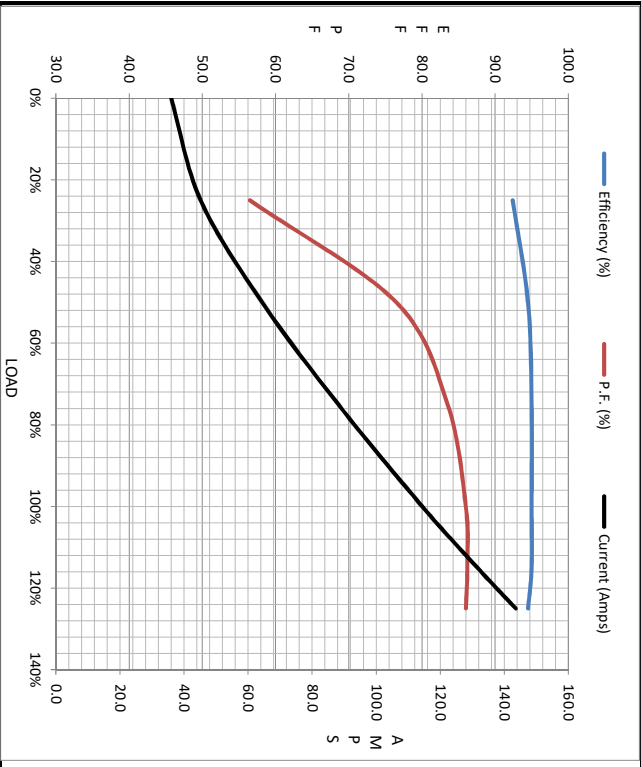
Load	0%	25%	50%	75%	100%	115%	125%	LR
Current (Amps)	36.0	45.2	64.4	88.2	114	132	144	726
Torque (ft-lb)	0.00	137	274	413	552	636	693	992
RPM	1200	1198	1195	1192	1190	1,190	1188	0
Efficiency (%)		92.4	94.5	95.0	95.0	95.0	94.5	
P.F. (%)	5.5	56.5	76.5	83.5	86.0	86.2	86.0	32.0

Motor Speed Data

	LR	Pull-Up	BD	Rated	Idle
Speed (RPM)	0	600	1158	1190	1200
Current (Amps)	726	580	392	114	36.0
Torque (ft-lb)	992	832	1,410	552	0.00

Information Block

HP	125.0			
Sync. RPM	1200			
Frame	445182TFC6080			
Enclosure	TEFC			
Construction	TFC			
Voltage	575 V			
Frequency	60 Hz			
Design	A			
LR Code letter	G			
Service Factor	1.15			
Temp Rise @ FL	55 °C			
Duty	CONT			
Ambient	40 °C			
Elevation	1,000 feet			
Rotor/Shaft wk²	108 Lb-Ft²			
Ref Wdg	HE32806006 NONE			
Sound Pressure @ 1M	75 dbA			
VFD Rating	VARIABLE 10:1			
Outline Dwg	SS557009			
Conn. Diag	EE7300			
Additional Specifications:				
0				
0				
R1	R2	X1	X2	Xm
0.0380	0.0240	0.2640	0.4390	9.0800



Speed - Torque Curve

