

PRODUCT INFORMATION PACKET

marathon[®]
Motors

Model No: 445TTFCD6086
Catalog No: GT1050A
125,1200,TEFC,445T,3/60/460
Totally Enclosed Fan Cooled (TEFC)



Regal and Marathon are trademarks of Regal Beloit Corporation or one of its affiliated companies.
©2018 Regal Beloit Corporation, All Rights Reserved. MC017097E

REGAL[®]



Nameplate Specifications

Output HP	125 Hp	Output KW	93.0 kW
Frequency	60 Hz	Voltage	460 V
Current	143.0 A	Speed	1190 rpm
Service Factor	1.15	Phase	3
Efficiency	95 %	Duty	Continuous
Insulation Class	F	Design Code	B
KVA Code	G	Frame	445T
Enclosure	Totally Enclosed Fan Cooled	Overload Protector	No
Ambient Temperature	40 °C	Drive End Bearing Size	6319
Opp Drive End Bearing Size	6317	UL	Listed
CSA	Y	CE	Y
IP Code	55		

Technical Specifications

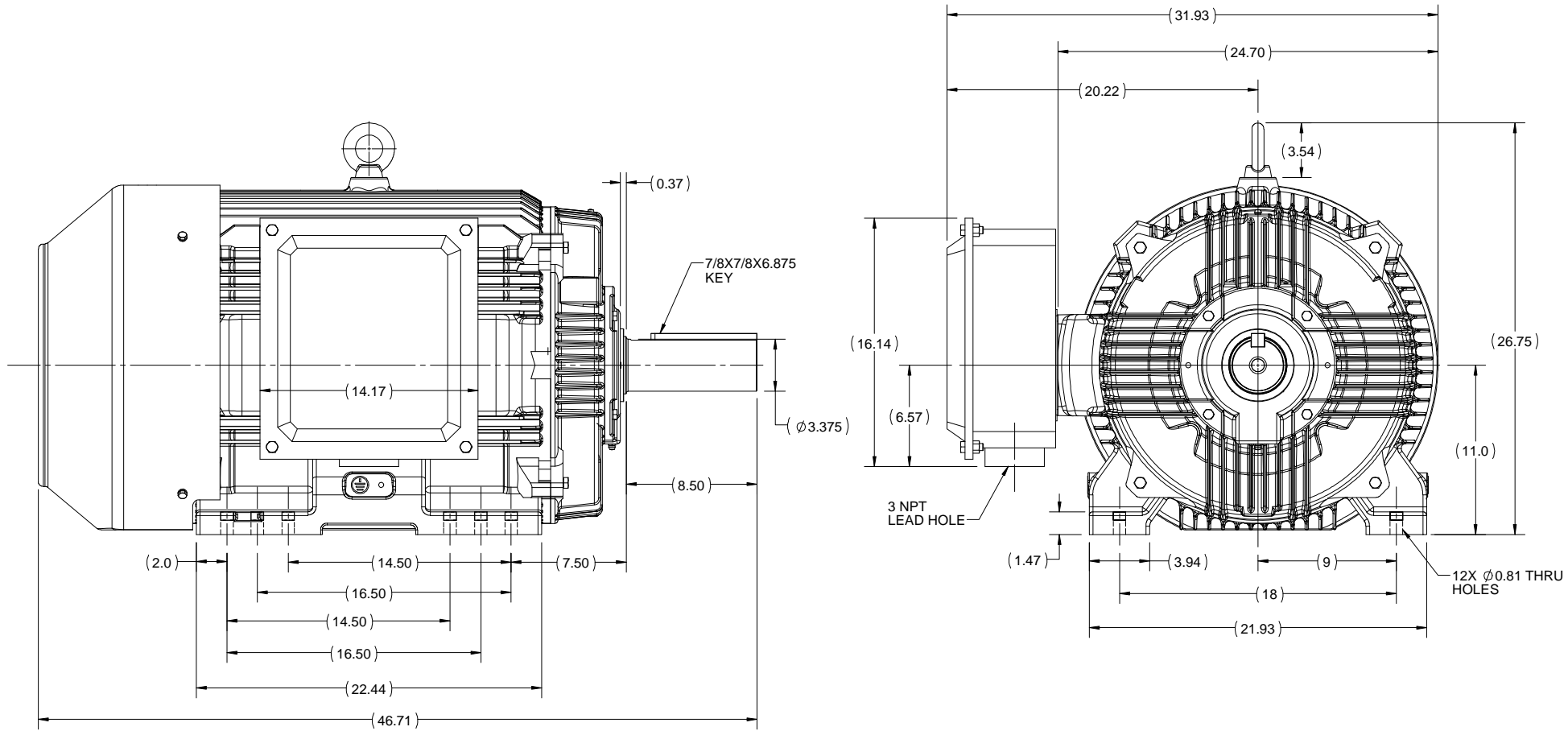
Electrical Type	Squirrel Cage Inverter Rated	Starting Method	Part Wdg Start Or Inverter
Poles	6	Rotation	Reversible
Mounting	Rigid base	Motor Orientation	Horizontal
Drive End Bearing	Ball	Opp Drive End Bearing	Ball
Frame Material	Cast Iron	Shaft Type	T
Overall Length	46.71 in	Shaft Diameter	3.375 in
Shaft Extension	8.5 in	Assembly/Box Mounting	F1/F2 Capable
Outline Drawing	SS557009	Connection Diagram	EE7341C

This is an uncontrolled document once printed or downloaded and is subject to change without notice. Date Created: 06/29/2018

OUTLINE

B


B



A

A

DRAWING REVISION C	REVISION BY GNK	DATE 04/05/2018
ECO ECO-0143704	APPROVED BY SBD	DATE 05/04/2018
ECO DESCRIPTION DRAWING UPDATED		
<small>COPYRIGHT REGAL BELOIT AMERICA, INC. ALL RIGHTS RESERVED. PROPRIETARY AND CONFIDENTIAL INFORMATION - THIS DOCUMENT IS THE PROPERTY OF REGAL BELOIT AMERICA, INC. ("OWNER") AND CONTAINS OWNER'S PROPRIETARY INFORMATION. ANY PERSON, CORPORATION OR OTHER FIRM RECEIVING IT IS DEEMED, BY RECEIVING IT, TO AGREE THAT IT, AND/OR ANY PART OF IT, SHALL NOT BE DISCLOSED TO ANY PERSON, CORPORATION OR OTHER ENTITY, DUPLICATED, AND/OR USED, EXCEPT AS EXPRESSLY APPROVED IN WRITING IN ADVANCE BY OWNER. THIS DOCUMENT SHALL BE RETURNED TO OWNER UPON REQUEST. IT MAY BE SUBJECT TO CERTAIN RESTRICTIONS UNDER APPLICABLE EXPORT CONTROL LAWS AND REGULATIONS.</small>		

DRAWN BY NIV	 Regal Beloit America, Inc.		
DATE 25/03/2016			
APPROVED BY SBD	DESCRIPTION OUTLINE 444/445T FR-TEFC		
DATE 25/03/2016	MATERIAL		
REFERENCE	PROCESS/FINISH		
THIRD ANGLE PROJECTION	SIZE B	DRAWING NUMBER SS557009	SHEET 1 OF 1

EE7341C

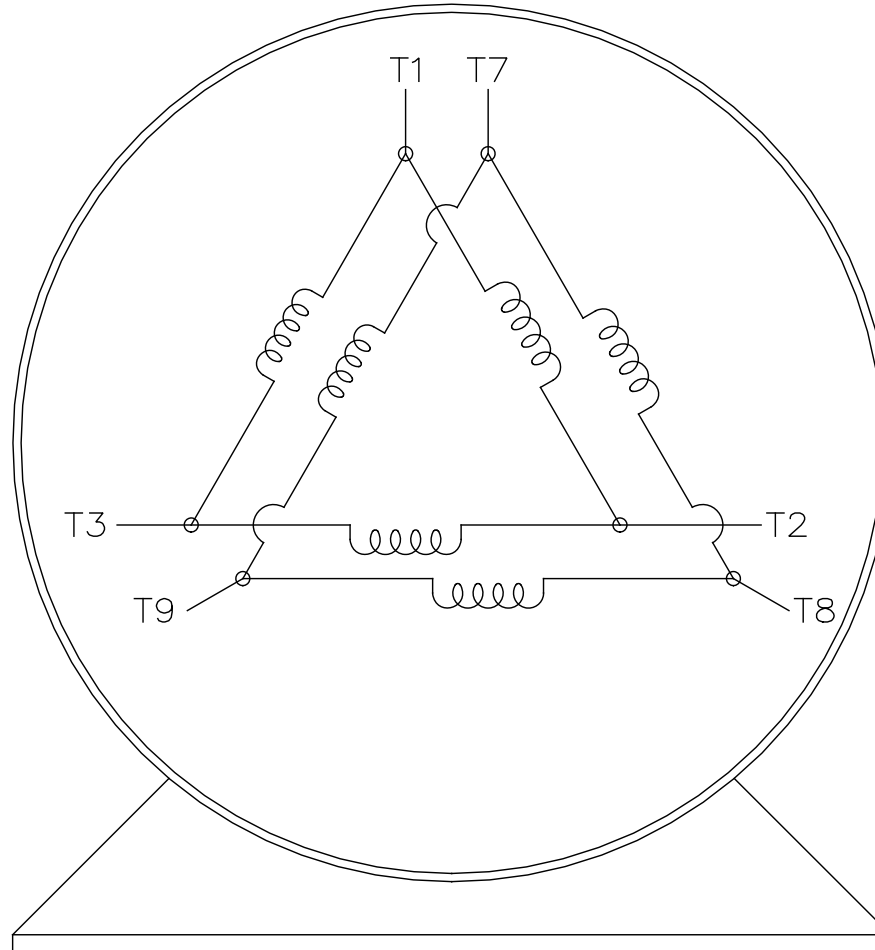
THREE PHASE – PART WINDING START
DELTA – 6 LEADS

START

- CONNECT T1 TO LINE 1
- CONNECT T2 TO LINE 2
- CONNECT T3 TO LINE 3
- T7–T8–T9 OPEN

RUN

- CONNECT T1&T7 TO LINE 1
- CONNECT T2&T8 TO LINE 2
- CONNECT T3&T9 TO LINE 3



VIEW OF TERMINAL END

		TOLERANCES UNLESS SPECIFIED		REGAL REGAL - BELOIT CORPORATION		DRAWN/BLR 03-09-1998						
		DEC.	INCHES			CHK	ML	03-23-1998				
		.X	±	–	TITLE CONNECTION DIAGRAM 3Ø – 6 LEADS	APPD	GK	03-23-1998				
		.XX	±	–		SCALE	1=1					
		.XXX	±	–		REF						
D	RE-DRAWN WITH REGAL LOGO ECO-0110493	WGJ	09-30-2016	EMH	.XXXX	±	–	MAT'L.	FMF			
NO.	REVISION	BY & DATE	CHK	ANG	±	–	FINISH	PREV				
THIS DRAWING IN DESIGN AND DETAIL IS OUR PROPERTY AND MUST NOT BE USED EXCEPT IN CONNECTION WITH OUR WORK ALL RIGHTS OF DESIGN AND INVENTION ARE RESERVED THIS IS AN ELECTRONICALLY GENERATED DOCUMENT – DO NOT SCALE THIS PRINT					RFP	CAD FILE EE7341C		SIZE	DRAWING NO.	PAGE	OF	REV.
					DIST			A	EE7341C			D

