

PRODUCT INFORMATION PACKET

Model No: 445TTGN6542
Catalog No: E585
150,1800,EPFC,445T,3/60/460
Explosion Proof



Regal and Marathon are trademarks of Regal Beloit Corporation or one of its affiliated companies.
©2018 Regal Beloit Corporation, All Rights Reserved. MC017097E



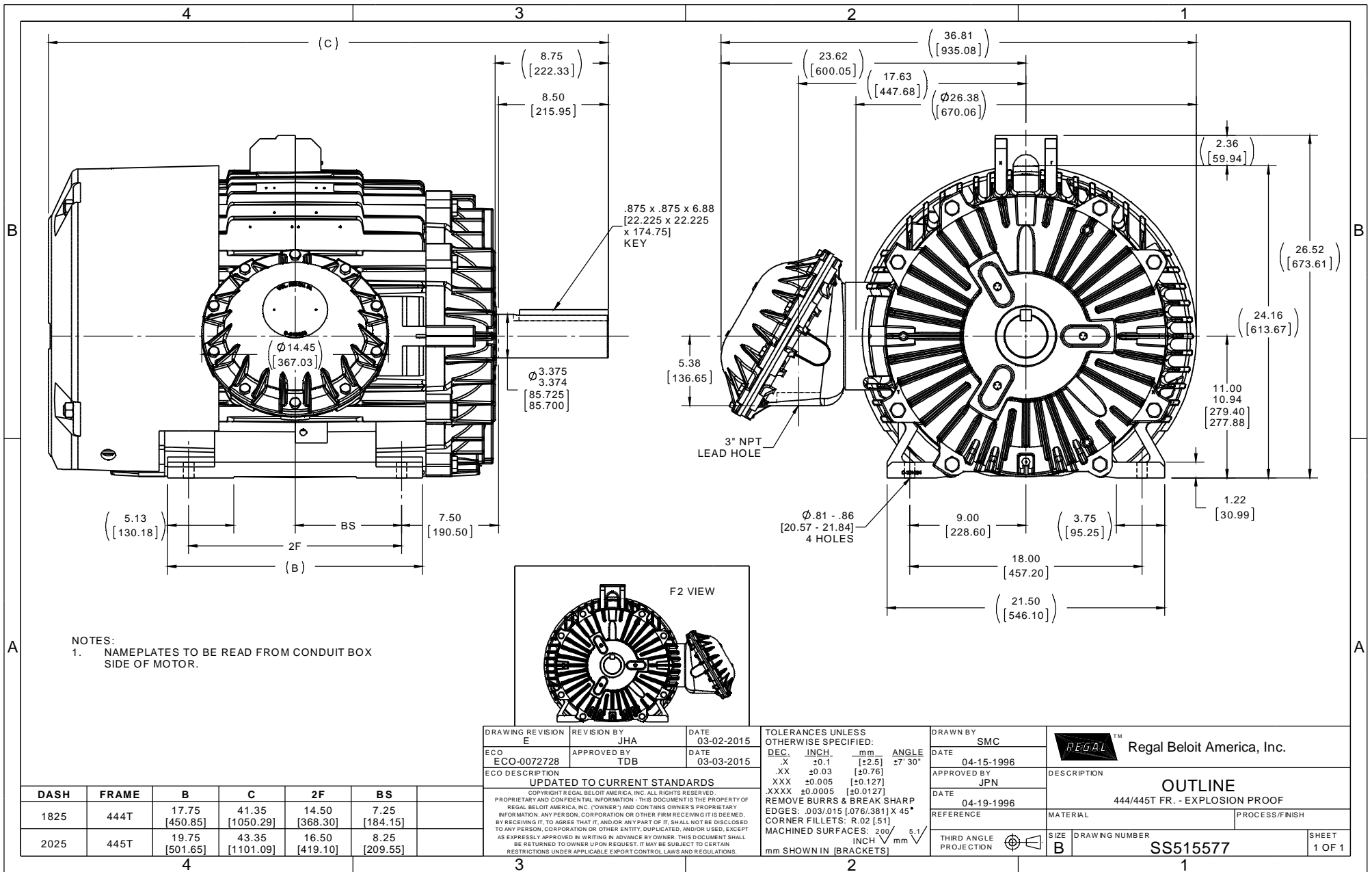
Nameplate Specifications

| | | | |
|----------------------------|-----------------------------------|------------------------|-------------------|
| Output HP | 150 Hp | Output KW | 112.0 kW |
| Frequency | 60 Hz | Voltage | 460 V |
| Current | 172.0 A | Speed | 1785 rpm |
| Service Factor | 1.15 | Phase | 3 |
| Efficiency | 95.8 % | Duty | Continuous |
| Insulation Class | F | Design Code | B |
| KVA Code | G | Frame | 445T |
| Enclosure | Explosion Proof Fan cooled | Overload Protector | No |
| Ambient Temperature | 40 °C | Drive End Bearing Size | 6318 |
| Opp Drive End Bearing Size | 6316 | UL | No |
| CSA | N | CE | N |
| IP Code | 54 | | |

Technical Specifications

| | | | |
|-----------------------|-------------------------------------|-----------------------|-------------------------|
| Electrical Type | Squirrel Cage Inverter Rated | Starting Method | Line Or Inverter |
| Poles | 4 | Rotation | Reversible |
| Mounting | Rigid base | Motor Orientation | Horizontal |
| Drive End Bearing | Ball | Opp Drive End Bearing | Ball |
| Frame Material | Cast Iron | Shaft Type | T |
| Overall Length | 43.35 in | Frame Length | 20.25 in |
| Shaft Diameter | 3.375 in | Shaft Extension | 8.75 in |
| Assembly/Box Mounting | F1 Only | | |
| Outline Drawing | B-SS515577-2025 | Connection Diagram | A-EE7300S |

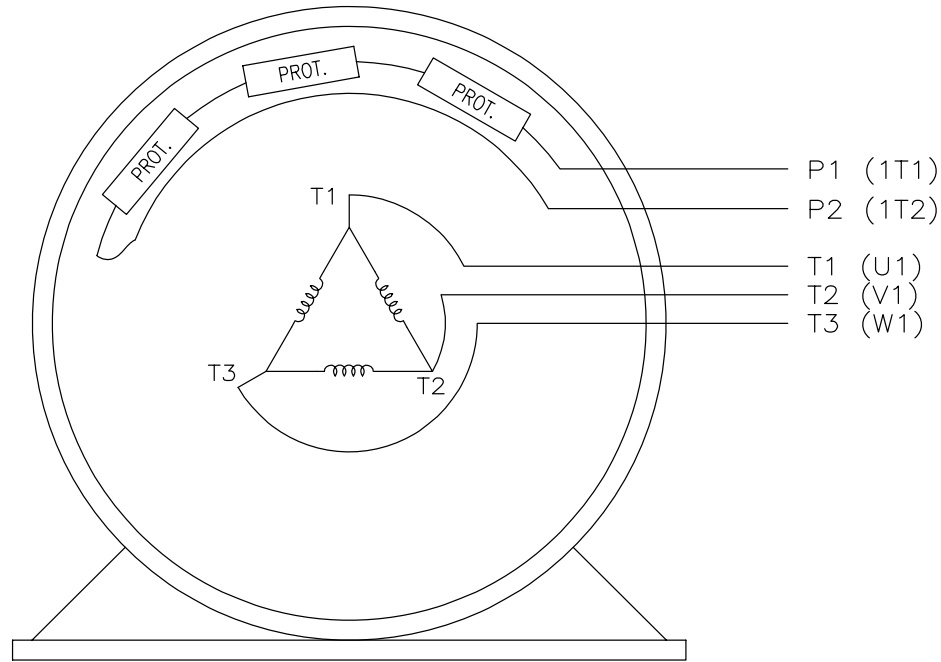
This is an uncontrolled document once printed or downloaded and is subject to change without notice. Date Created: 07/02/2018



EE7300S

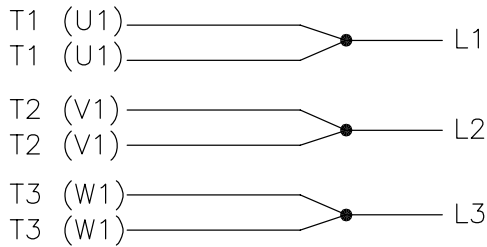
THREE PHASE – SINGLE VOLTAGE MOTOR

TO REVERSE ROTATION:
INTERCHANGE ANY TWO LINE
LEAD CONNECTIONS




VIEW OF TERMINAL END

IF MOTOR HAS MULTIPLE
T'S PER LEAD CONNECT
TOGETHER LIKE T'S



A-9806 DECAL

| NO. | REVISION | BY & DATE | CHK | TOLERANCES UNLESS SPECIFIED | | FINISH | DRAWN | PAGE | OF | REV. | |
|--|-------------------------------------|----------------|-----|-----------------------------|--------|---|------------------|------------|------------|-------------|-----|
| | | | | DEC. | INCHES | | | | | | |
| F | UPDATED TITLE BLOCK | HV 02-27-2014 | EWB | .X | ± - | | KL | 12-15-1999 | | | |
| 3 | REMOVED "N.C." FROM PROT.'S MU61770 | JJB 08-02-2010 | | .XX | ± - |  REGAL-BELOIT CORPORATION TITLE CONNECTION DIAGRAM – EXTERNAL SINGLE VOLTAGE 3Ø MOTOR | CHK | DJK | 12-15-1999 | | |
| 2 | ADDED IEC MARKINGS MU61770 | KL 09-16-2004 | EAB | .XXX | ± - | | APPD | DJK | 12-15-1999 | SCALE | 1=1 |
| 1 | NEW DRAWING | KL 12-16-1999 | | .XXXX | ± - | | MAT'L | | | REF | |
| | | | | ANG | ± - | | | | FMF | | |
| | | | | | | | | | PREV | | |
| THIS DRAWING IN DESIGN AND DETAIL IS OUR PROPERTY AND MUST NOT BE USED EXCEPT IN CONNECTION WITH OUR WORK ALL RIGHTS OF DESIGN AND INVENTION ARE RESERVED THIS IS AN ELECTRONICALLY GENERATED DOCUMENT – DO NOT SCALE THIS PRINT | | | | | | RFP | CAD FILE ee7300s | | SIZE | DRAWING NO. | |
| | | | | | | DIST | WA-LB-SB | A | EE7300S | F | |

CERTIFICATION DATA SHEET

Model#: 445TTGN6542 AB **WINDING#:** T4454127 NONE 1
CONN. DIAGRAM: A-EE7300S **ASSEMBLY:** F1 ONLY
OUTLINE: B-SS515577-2025

TYPICAL MOTOR PERFORMANCE DATA

| HP | KW | SYNC. RPM | F.L. RPM | FRAME | ENCLOSURE | KVA CODE | DESIGN |
|---------|--------|-----------|-----------|-------|-----------|----------|--------|
| 150&125 | 112&93 | 1800 | 1785&1485 | 445T | EPFC | G | B |

| PH | Hz | VOLTS | FL AMPS | START TYPE | DUTY | INSL | S.F | AMB°C | ELEVATION |
|----|-------|---------|---------|------------------|------------|------|-----------|-------|-----------|
| 3 | 60/50 | 460#380 | 172&170 | LINE OR INVERTER | CONTINUOUS | F1 | 1.15/1.15 | 40 | 3300 |

| FULL LOAD EFF: | 3/4 LOAD EFF: | 1/2 LOAD EFF: | GTD. EFF | ELEC. TYPE | NO LOAD AMPS |
|---------------------|-----------------|-----------------|----------|-------------------|--------------|
| 95.8&95.8 | 96.2 | 95.4 | | | |
| FULL LOAD PF: 85&86 | 3/4 LOAD PF: 82 | 1/2 LOAD PF: 74 | 95.4 | SQ CAGE INV RATED | 60 |

| F.L. TORQUE | LOCKED ROTOR AMPS | L.R. TORQUE | B.D. TORQUE | F.L. RISE°C |
|-------------|-------------------|---------------|----------------|-------------|
| 441 LB-FT | 1085 | 800 LB-FT 181 | 1150 LB-FT 261 | 65 |

| SOUND PRESSURE @ 3 FT. | SOUND POWER | ROTOR WK^2 | MAX. WK^2 | SAFE STALL TIME | STARTS /HOUR | APPROX. MOTOR WGT |
|------------------------|-------------|------------|--------------|-----------------|--------------|-------------------|
| 75 dBA | 85 dBA | 47 LB-FT^2 | 1000 LB-FT^2 | 25 SEC. | 2 | 2050 LBS. |

***** SUPPLEMENTAL INFORMATION *****

| DE BRACKET TYPE | ODE BRACKET TYPE | MOUNT TYPE | ORIENTATION | SEVERE DUTY | HAZARDOUS LOCATION | DRIP COVER | SCREENS | PAINT |
|-----------------|------------------|------------|-------------|---------------------|--|------------|---------|--------------|
| STANDARD | STANDARD | RIGID | HORIZONTAL | PREMIUM SEVERE DUTY | EXP PROOF CL I GR C&D CL II GR F&G T3B | FALSE | NONE | BLUE (EPOXY) |

| BEARINGS | | GREASE | SHAFT TYPE | SPECIAL DE | SPECIAL ODE | SHAFT MATERIAL | FRAME MATERIAL |
|----------|------|------------|------------|------------|-------------|-------------------------|----------------|
| DE | OPE | | | | | | |
| BALL | BALL | POLYREX EM | T | NONE | NONE | 1045 HOT ROLLED (C-204) | CAST IRON |
| 6318 | 6316 | | | | | | |

| THERMO-PROTECTORS | | | | THERMISTORS | CONTROL | SPACE /n HEATERS |
|-------------------|------------|----------|----------|-------------|---------|------------------|
| THERMOSTATS | PROTECTORS | WDG RTDs | BRG RTDs | | | |
| TSTATS (N/C) | NOT | NONE | NONE | NONE | FALSE | NONE VOLTS |

If Inverter equals NONE, contact factory for further information

| |
|-------------------------------|
| INVERTER TORQUE: CONSTANT 2:1 |
| INV. HP SPEED RANGE: NONE |
| ENCODER: NONE |
| NONE NONE |
| NONE NONE PPR |
| BRAKE: NONE NONE |
| NONE P/N NONE |
| NONE NONE |
| - FT-LB NONE V NONE Hz |

*
N
O
T
E
S
*

DATE: 06/21/2017 06:11:22 AM
 FORM 3531 REV.3 02/07/99
 ** Subject to change without notice.

Data Sheet

Date: 29-06-2017
 Customer: _____
 Attention: _____
 Submitted by: FAREEDA DUDEKULA



445TTGN6542

Submittal

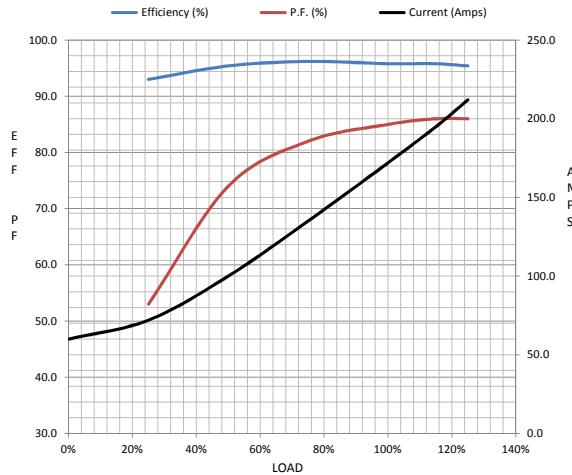
Data @ 460 V

Motor Load Data

| Load | 0% | 25% | 50% | 75% | 100% | 115% | 125% | LR |
|----------------|------|------|------|------|------|-------|------|-------|
| Current (Amps) | 60.0 | 72.0 | 100 | 135 | 172 | 195 | 212 | 1,085 |
| Torque (ft-lb) | 0.00 | 110 | 220 | 330 | 441 | 508 | 553 | 800 |
| RPM | 1800 | 1796 | 1792 | 1790 | 1785 | 1,782 | 1780 | 0 |
| Efficiency (%) | | 93.0 | 95.4 | 96.2 | 95.8 | 95.8 | 95.4 | |
| P.F. (%) | 4.5 | 53.0 | 74.0 | 82.0 | 85.0 | 86.0 | 86.0 | 28.0 |

Motor Speed Data

| | LR | Pull-Up | BD | Rated | Idle |
|----------------|-------|---------|-------|-------|------|
| Speed (RPM) | 0 | 900 | 1725 | 1785 | 1800 |
| Current (Amps) | 1,085 | 950 | 600 | 172 | 60.0 |
| Torque (ft-lb) | 800 | 775 | 1,150 | 441 | 0.00 |



| Information Block | | | | |
|----------------------------|-----------------|--------|--------|--------|
| HP | 150.0 | | | |
| Sync. RPM | 1800 | | | |
| Frame | 445 | | | |
| Enclosure | TEFC | | | |
| Construction | TFN | | | |
| Voltage | 460#380 V | | | |
| Frequency | 60 Hz | | | |
| Design | A | | | |
| LR Code letter | G | | | |
| Service Factor | 1.15 | | | |
| Temp Rise @ FL | 70 ° C | | | |
| Duty | CONT | | | |
| Ambient | 40 ° C | | | |
| Elevation | 1,000 feet | | | |
| Rotor/Shaft wk² | 47.0 Lb-Ft² | | | |
| Ref Wdg | T4454127 NONE | | | |
| Sound Pressure @ 1M | 75 dBA | | | |
| VFD Rating | CONSTANT 2:1 | | | |
| Outline Dwg | B-SS515577-2025 | | | |
| Conn. Diag | A-EE7300S | | | |
| Additional Specifications: | | | | |
| 0 | | | | |
| 365THFS8036 | | | | |
| EQUIV CKT (OHMS / PHASE) | | | | |
| R1 | R2 | X1 | X2 | Xm |
| 0.0210 | 0.0120 | 0.1680 | 0.1590 | 4.4090 |

Speed -Torque Curve

