

PRODUCT INFORMATION PACKET

Model No: 447TSTFCD6004
Catalog No: GT1054A
200,3600,TEFC,447TS,3/60/460PWS
Totally Enclosed Fan Cooled (TEFC)



Regal and Marathon are trademarks of Regal Beloit Corporation or one of its affiliated companies.
©2018 Regal Beloit Corporation, All Rights Reserved. MC017097E



Nameplate Specifications

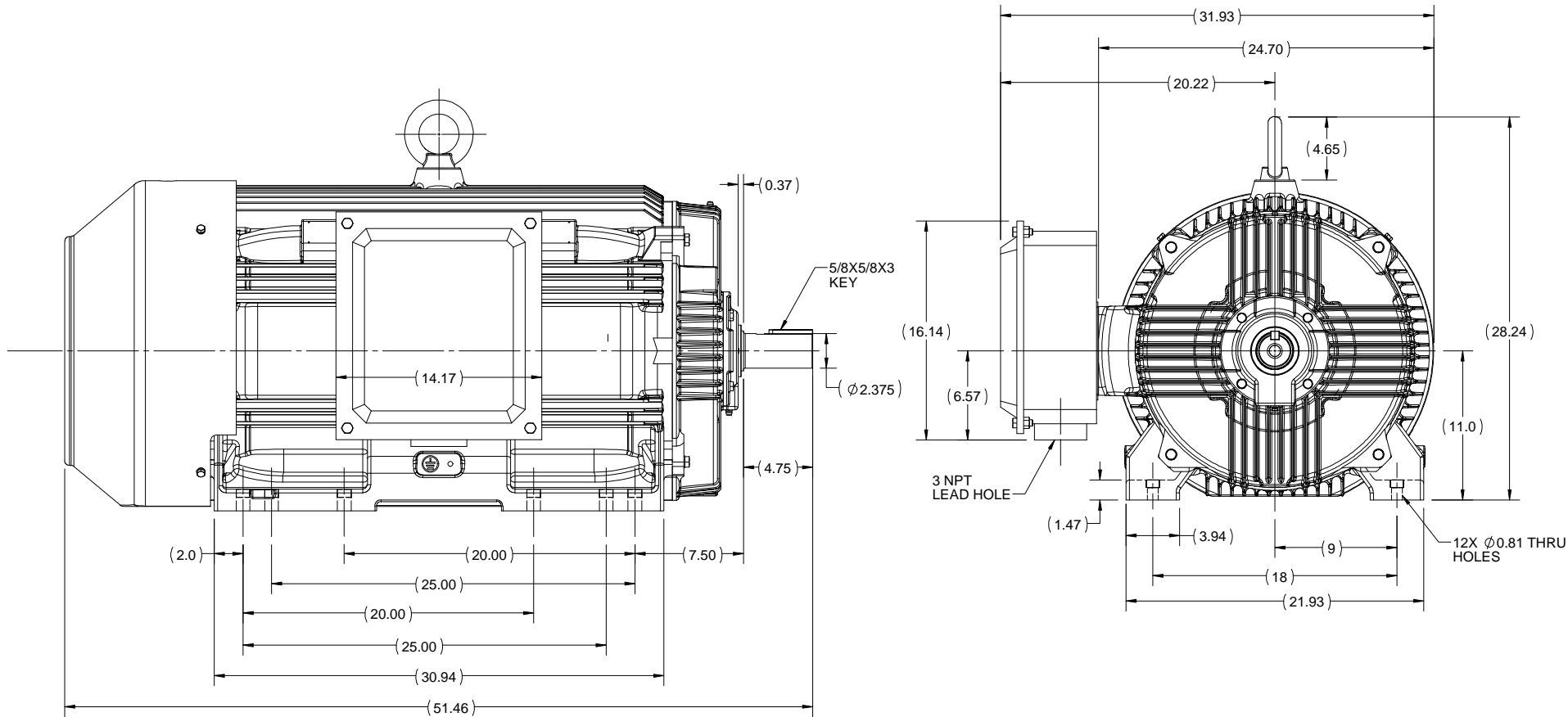
Output HP	200 Hp	Output KW	149.0 kW
Frequency	60 Hz	Voltage	460 V
Current	217.0 A	Speed	3580 rpm
Service Factor	1.15	Phase	3
Efficiency	95.4 %	Duty	Continuous
Insulation Class	F	Design Code	B
KVA Code	G	Frame	447TS
Enclosure	Totally Enclosed Fan Cooled	Overload Protector	No
Ambient Temperature	40 °C	Drive End Bearing Size	6314
Opp Drive End Bearing Size	6314	UL	Listed
CSA	Y	CE	Y
IP Code	55		

Technical Specifications


Electrical Type	Squirrel Cage Inverter Rated	Starting Method	Part Wdg Start Or Inverter
Poles	2	Rotation	Reversible
Mounting	Rigid base	Motor Orientation	Horizontal
Drive End Bearing	Ball	Opp Drive End Bearing	Ball
Frame Material	Cast Iron	Shaft Type	TS
Overall Length	51.46 in	Shaft Diameter	2.375 in
Shaft Extension	4.75 in	Assembly/Box Mounting	F1/F2 Capable
Outline Drawing	SS557012	Connection Diagram	EE7341C

This is an uncontrolled document once printed or downloaded and is subject to change without notice. Date Created: 06/29/2018

OUTLINE



DRAWING REVISION C	REVISION BY GNK	DATE 09/05/2018
ECO ECO-0143704	APPROVED BY SBD	DATE 09/05/2018
ECO DESCRIPTION DRAWING UPDATED		
<small>COPYRIGHT REGAL BELOIT AMERICA, INC. ALL RIGHTS RESERVED. PROPRIETARY AND CONFIDENTIAL INFORMATION - THIS DOCUMENT IS THE PROPERTY OF REGAL BELOIT AMERICA, INC. ("OWNER") AND CONTAINS OWNER'S PROPRIETARY INFORMATION. ANY PERSON, CORPORATION OR OTHER FIRM RECEIVING IT IS DEEMED, BY RECEIVING IT, TO AGREE THAT IT, AND/OR ANY PART OF IT, SHALL NOT BE DISCLOSED TO ANY PERSON, CORPORATION OR OTHER ENTITY, DUPLICATED, AND/OR USED, EXCEPT AS EXPRESSLY APPROVED IN WRITING IN ADVANCE BY OWNER. THIS DOCUMENT SHALL BE RETURNED TO OWNER UPON REQUEST. IT MAY BE SUBJECT TO CERTAIN RESTRICTIONS UNDER APPLICABLE EXPORT CONTROL LAWS AND REGULATIONS.</small>		

DRAWN BY NIV	 Regal Beloit America, Inc.
DATE 23/05/2016	
APPROVED BY SBD	DESCRIPTION OUTLINE 447/449T FR-TEFC
DATE 23/05/2016	MATERIAL
REFERENCE	PROCESS/FINISH
THIRD ANGLE PROJECTION	SIZE B
	DRAWING NUMBER SS557012
	SHEET 1 OF 1

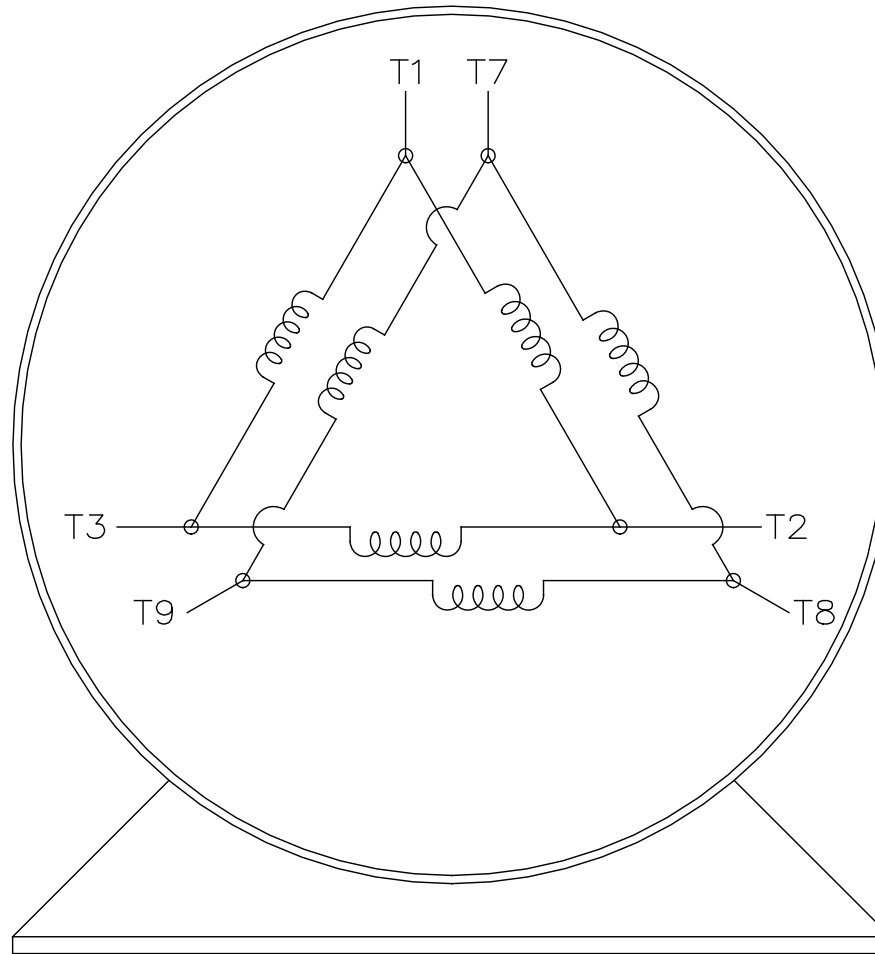
THREE PHASE – PART WINDING START
DELTA – 6 LEADS

START

CONNECT T1 TO LINE 1
CONNECT T2 TO LINE 2
CONNECT T3 TO LINE 3
T7–T8–T9 OPEN

RUN

CONNECT T1&T7 TO LINE 1
CONNECT T2&T8 TO LINE 2
CONNECT T3&T9 TO LINE 3



VIEW OF TERMINAL END

		TOLERANCES UNLESS SPECIFIED		REGAL REGAL - BELOIT CORPORATION		DRAWN BLR 03-09-1998							
		DEC.	INCHES			CHK	ML	03-23-1998					
		.X	±	–	TITLE CONNECTION DIAGRAM 3Ø – 6 LEADS	APPD	GK	03-23-1998					
		.XX	±	–		SCALE	1=1						
		.XXX	±	–		REF							
D	RE-DRAWN WITH REGAL LOGO ECO-0110493	WGJ	09-30-2016	EMH	.XXXX	±	–	MAT'L.	FMF				
NO.	REVISION	BY & DATE	CHK	ANG	±	–	FINISH	PREV					
THIS DRAWING IN DESIGN AND DETAIL IS OUR PROPERTY AND MUST NOT BE USED EXCEPT IN CONNECTION WITH OUR WORK ALL RIGHTS OF DESIGN AND INVENTION ARE RESERVED THIS IS AN ELECTRONICALLY GENERATED DOCUMENT – DO NOT SCALE THIS PRINT					RFP	CAD FILE EE7341C			SIZE	DRAWING NO.	PAGE	OF	REV.
					DIST				A	EE7341C			D

CERTIFICATION DATA SHEET

Model#: 447TSTFCD6004 AA **WINDING#:** HE32802008 NONE 1
CONN. DIAGRAM: EE7341C **ASSEMBLY:** F1/F2 CAPABLE
OUTLINE: SS557012

TYPICAL MOTOR PERFORMANCE DATA

HP	KW	SYNC. RPM	F.L. RPM	FRAME	ENCLOSURE	KVA CODE	DESIGN
200&150	149&112	3600	3580&2982	447TS	TEFC	G	B

PH	Hz	VOLTS	FL AMPS	START TYPE	DUTY	INSL	S.F	AMB°C	ELEVATION
3	60/50	460#380	217&197	PWS OR INVERTER	CONTINUOUS	F7	1.15/1.15	40	3300

FULL LOAD EFF: 95.4&95.4	3/4 LOAD EFF: 95.4	1/2 LOAD EFF: 94.5	GTD. EFF	ELEC. TYPE	NO LOAD AMPS
FULL LOAD PF: 90.5&90	3/4 LOAD PF: 89	1/2 LOAD PF: 84.2	95	SQ CAGE INV RATED	53.5

F.L. TORQUE	LOCKED ROTOR AMPS	L.R. TORQUE	B.D. TORQUE	F.L. RISE°C
294 LB-FT	1450	512 LB-FT 175	821 LB-FT 280	70

SOUND PRESSURE @ 3 FT.	SOUND POWER	ROTOR WK^2	MAX. WK^2	SAFE STALL TIME	STARTS /HOUR	APPROX. MOTOR WGT
82 dBA	92 dBA	51 LB-FT^2	- LB-FT^2	15 SEC.	-	2775 LBS.

***** SUPPLEMENTAL INFORMATION *****

DE BRACKET TYPE	ODE BRACKET TYPE	MOUNT TYPE	ORIENTATION	SEVERE DUTY	HAZARDOUS LOCATION	DRIP COVER	SCREENS	PAINT
STANDARD	STANDARD	RIGID	HORIZONTAL	FALSE	DIVISION 2 T2B	FALSE	NONE	BLUE (ENAMEL)

BEARINGS		GREASE	SHAFT TYPE	SPECIAL DE	SPECIAL ODE	SHAFT MATERIAL	FRAME MATERIAL
DE	OPE						
BALL	BALL	POLYREX EM	TS	NONE	NONE	1045 HOT ROLLED (C-204)	CAST IRON
6314	6314						

THERMO-PROTECTORS				THERMISTORS	CONTROL	SPACE /n HEATERS
THERMOSTATS	PROTECTORS	WDG RTDs	BRG RTDs			
NONE	NOT	NONE	NONE	NONE	FALSE	NONE VOLTS

If Inverter equals NONE, contact factory for further information

INVERTER TORQUE: VARIABLE 10:1
INV. HP SPEED RANGE: NONE
ENCODER: NONE
NONE NONE
NONE NONE PPR
BRAKE: NONE NONE
NONE P/N NONE
NONE NONE
NONE FT-LB NONE V NONE Hz

*
N
O
T
E
S
*

DATE: 07/03/2017 02:13:09 AM
FORM 3531 REV.3 02/07/99

** Subject to change without notice.