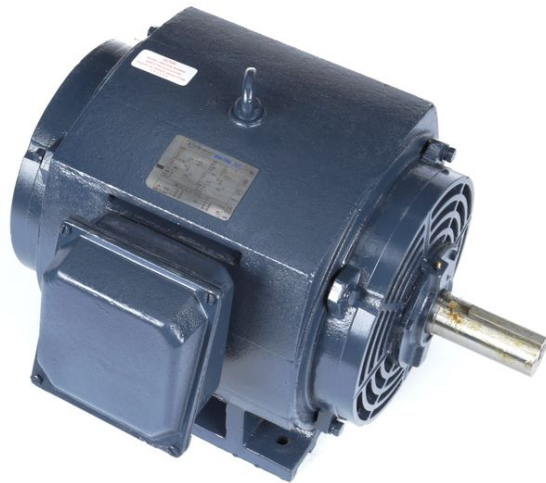


# PRODUCT INFORMATION PACKET

**marathon**<sup>®</sup>  
Motors

Model No: 447TTDN16382  
Catalog No: H822B  
250,1200,DP,447T,3/60/460PWS&YD  
Open Drip Proof (ODP)



Regal and Marathon are trademarks of Regal Beloit Corporation or one of its affiliated companies.  
©2018 Regal Beloit Corporation, All Rights Reserved. MC017097E

**REGAL**<sup>®</sup>



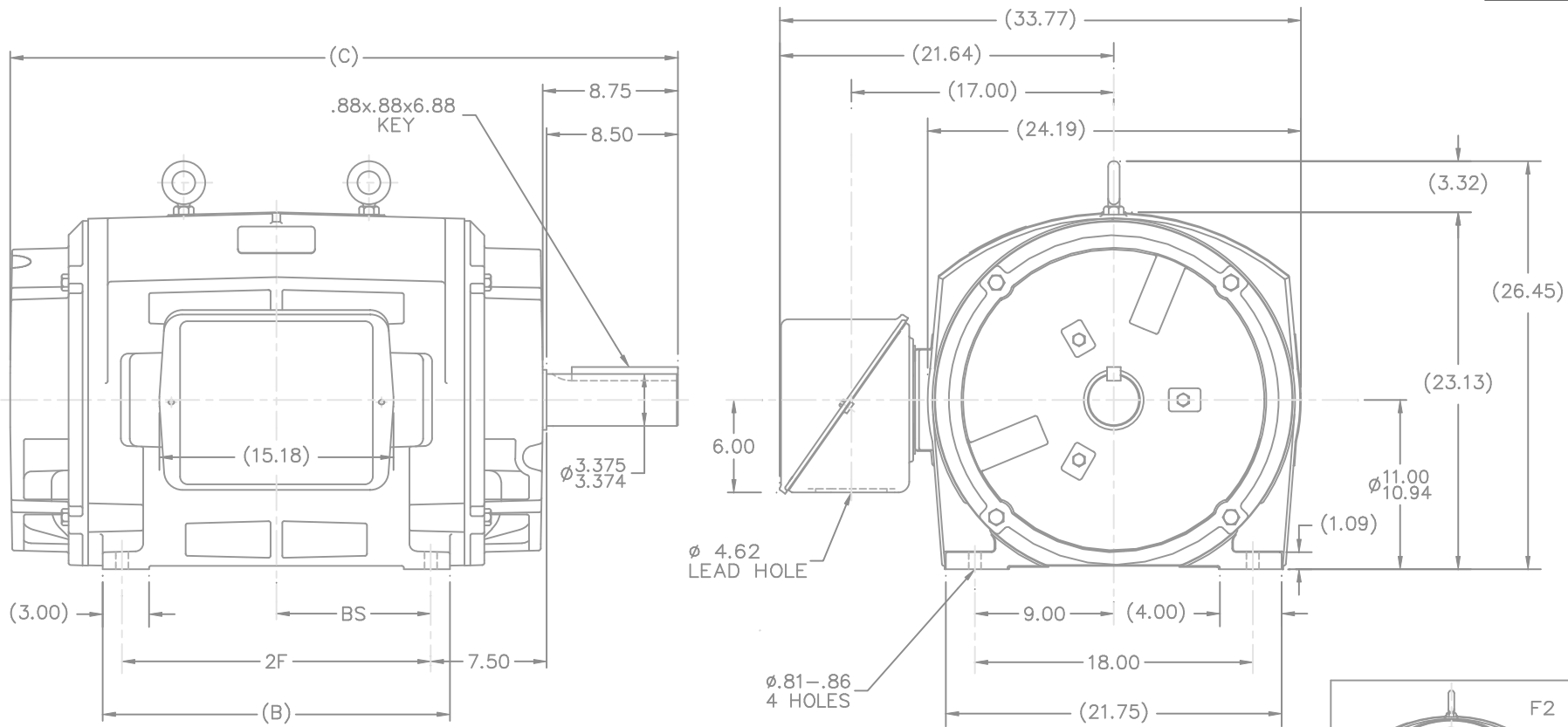
### Nameplate Specifications

Output HP	<b>250 Hp</b>	Output KW	<b>187.0 kW</b>
Frequency	<b>60 Hz</b>	Voltage	<b>460 V</b>
Current	<b>310.0 A</b>	Speed	<b>1186 rpm</b>
Service Factor	<b>1.15</b>	Phase	<b>3</b>
Efficiency	<b>95.8 %</b>	Duty	<b>Continuous</b>
Insulation Class	<b>F</b>	Design Code	<b>B</b>
KVA Code	<b>G</b>	Frame	<b>447T</b>
Enclosure	<b>Drip Proof</b>	Overload Protector	<b>No</b>
Ambient Temperature	<b>40 °C</b>	Drive End Bearing Size	<b>NU318</b>
Opp Drive End Bearing Size	<b>6314</b>	UL	<b>Recognized</b>
CSA	<b>Y</b>	CE	<b>Y</b>
IP Code	<b>12</b>		

### Technical Specifications

Electrical Type	<b>Squirrel Cage Induction Run</b>	Starting Method	<b>Part Wdg Start &amp; Wye Start Delta Run</b>
Poles	<b>6</b>	Rotation	<b>Reversible</b>
Mounting	<b>Rigid base</b>	Motor Orientation	<b>Horizontal</b>
Drive End Bearing	<b>Roller</b>	Opp Drive End Bearing	<b>Ball</b>
Frame Material	<b>Cast Iron</b>	Shaft Type	<b>T</b>
Overall Length	<b>43.25 in</b>	Frame Length	<b>24.38 in</b>
Shaft Diameter	<b>3.375 in</b>	Shaft Extension	<b>8.75 in</b>
Assembly/Box Mounting	<b>F1/F2 Capable</b>		
Outline Drawing	<b>B-SS514252-2438</b>	Connection Diagram	<b>A-EE7300BH</b>

This is an uncontrolled document once printed or downloaded and is subject to change without notice. Date Created: 07/02/2018




- NOTES:
1. C.BOX CAN BE ROTATED IN 90° STEPS.
  2. C.BOX CAN BE MOUNTED ON OPPOSITE SIDE BY REMOVING BRACKETS & TURNING FRAME 180°.
  3. NAMEPLATES TO BE READ FROM CONDUIT BOX SIDE OF MOTOR.

2438	447T	43.25	---	22.50	20.00	---	---	10.00
2938	449T	48.25	---	27.50	25.00	---	---	12.50
DASH	FRAME	C	AG	B	2F	2FF	2FFF	BS

7	UPDATED DE BRACKET GEOMETRY	CN 35521	DRS		TO TOLERANCES UNLESS SPECIFIED						
6	ADDED F2 MOUNTING VIEW	CN 29200-263	DRS	03-24-2000	DEC.	INCHES					
5	ADDED OVERALL DIMENSIONS	CN 27400-627	BJW	01-17-2000	.X	±.1					
4	REVISED TO NEC CONDUIT BOX	CN 28405	BJW		.XX	±.03					
3	REMOVED 700 CU.IN. C'BOX NOTE	CN 16342	KL	10-07-1993	.XXX	±.005					
2	'C' DIM. WAS 43.19 & 48.19	CN 15854	JL	06-09-1993	.XXXX	±.0005					
NO.	REVISION		BY & DATE	CHK	ANG	±7'30"					
THIS DRAWING IN DESIGN AND DETAIL IS OUR PROPERTY AND MUST NOT BE USED EXCEPT IN CONNECTION WITH OUR WORK ALL RIGHTS OF DESIGN AND INVENTION ARE RESERVED THIS IS AN ELECTRONICALLY GENERATED DOCUMENT - DO NOT SCALE THIS PRINT					RFP						
					DIST	WA-SB					
					MARATHON ELECTRIC			DRAWN JL 06-23-1992			
					TITLE OUTLINE - DR.PR. 447-449T FR.			CHK TB 06-23-1992			
					MAT'L			APPD JPN 07-10-1992			
					FINISH			SCALE 1=7			
					CAD FILE SS514252			REF			
					SIZE	B	DRAWING NO.	SS514252	PAGE	OF	REV.
											7



VIEW OF TERMINAL END

				TOLERANCES UNLESS SPECIFIED		 REGAL - BELOIT CORPORATION	DRAWN RJW 02-11-2005			
				DEC.	INCHES		CHK	ML 02-11-2005		
				.X	±.1		APPD	GK 02-11-2005		
				.XX	±.02	TITLE	SCALE			
D	CHANGED TO REGAL TITLE BLOCK	ECO-0108299	WGJ 08/22/2016	EMH	.XXX ±.005	12 LEAD- SINGLE VOLTAGE		REF		
1	ADDED IEC TERMINAL MARKINGS	CN 41429	JJB 05/24/2007	ML	.XXXX ±.0005	MAT'L.	FMF			
NO.	REVISION	BY & DATE	CHK	ANG	±7'30"	FINISH	PREV			
THIS DRAWING IN DESIGN AND DETAIL IS OUR PROPERTY AND MUST NOT BE USED EXCEPT IN CONNECTION WITH OUR WORK ALL RIGHTS OF DESIGN AND INVENTION ARE RESERVED THIS IS AN ELECTRONICALLY GENERATED DOCUMENT - DO NOT SCALE THIS PRINT				RFP	02-11-2005	CAD FILE	ee7300bh	SIZE	DRAWING NO. PAGE OF	REV.
				DIST	LB			A	EE7300BH	C



Data Sheet

Date: 6/20/2017

447TDNI6382

Customer:



Submital

Attention:

FAREEDA DUDEKULA

Data @ 460 V

Submitted by:

Motor Load Data

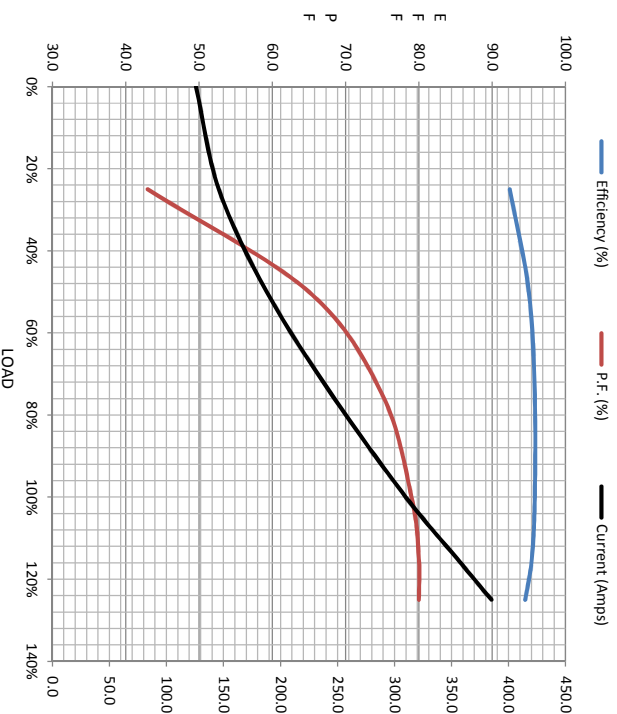
Load	0%	25%	50%	75%	100%	115%	125%	LR
Current (Amps)	126	146	188	245	310	355	385	1,730
Torque (ft-lb)	0.00	275	550	828	1,108	1,275	1,388	2,000
RPM	1200	1198	1194	1190	1186	1,184	1182	0
Efficiency (%)		92.4	95.0	95.8	95.8	95.4	94.5	
P.F. (%)	3.0	43.0	65.0	75.0	79.0	80.0	80.0	30.0

Motor Speed Data

	LR	Pull-Up	BD	Rated	Idle
Speed (rpm)	0	600	1125	1186	1200
Current (Amps)	1,750	1,650	1,000	310	126
Torque (ft-lb)	2,000	1,700	2,500	1,108	0.00

Information Block

HP	250.0			
Sync. RPM	1200			
Frame	447			
Enclosure	DP			
Construction	TDN			
Voltage	460 V			
Frequency	60 HZ			
Design	B			
LR Code letter	G			
Service Factor	1.15			
Temp Rise @ FL	65 °C			
Duty	CONT			
Ambient	40 °C			
Elevation	1,000 feet			
Rotor/Shaft wkt	91.0 Lb-Fe			
Rel Wdg	T447616 R1			
Sound Pressure @ 1M	76 dBA			
VFD Rating	NONE			
Outline Dwg	B-SS514252-2438			
Conn. Diag	A-EET300BH			
Additional Specifications:				
0				
EQUIV CKT (OHMS / PHASE)				
R1	R2	X1	X2	Xm
0.0110	0.0100	0.0970	0.1520	2.1260



Speed - Torque Curve

