

# PRODUCT INFORMATION PACKET

**marathon**<sup>®</sup>  
Motors

Model No: 449TTGS16585  
Catalog No: U091A  
200,1200,EPFC,449T,3/60/460  
Explosion Proof



Regal and Marathon are trademarks of Regal Beloit Corporation or one of its affiliated companies.  
©2018 Regal Beloit Corporation, All Rights Reserved. MC017097E

**REGAL**<sup>®</sup>

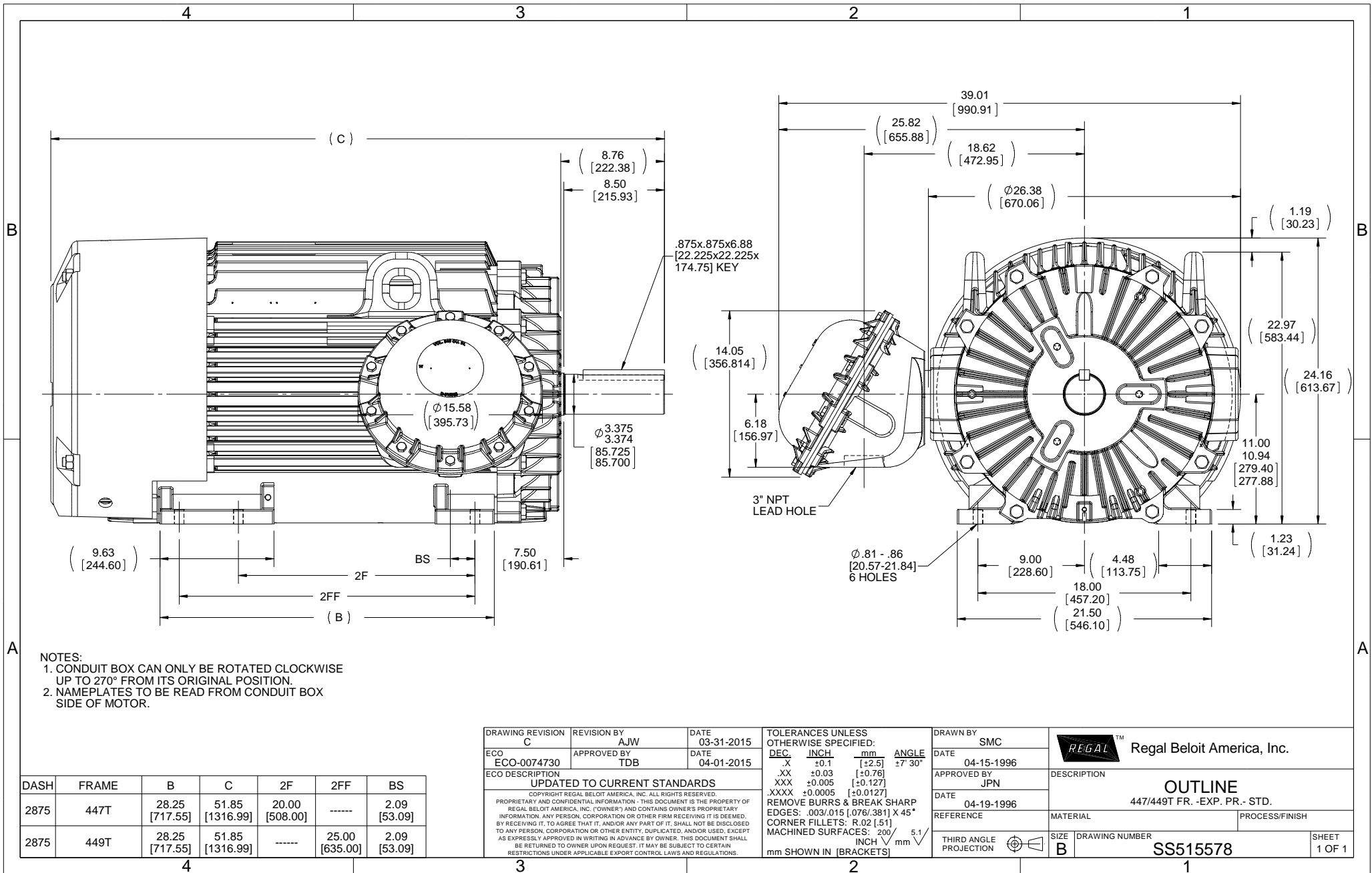


### Nameplate Specifications

Output HP	<b>200 Hp</b>	Output KW	<b>149.0 kW</b>
Frequency	<b>60 Hz</b>	Voltage	<b>460 V</b>
Current	<b>240.0 A</b>	Speed	<b>1190 rpm</b>
Service Factor	<b>1.15</b>	Phase	<b>3</b>
Efficiency	<b>95.8 %</b>	Duty	<b>Continuous</b>
Insulation Class	<b>F</b>	Design Code	<b>B</b>
KVA Code	<b>G</b>	Frame	<b>447/449T</b>
Enclosure	<b>Explosion Proof Fan cooled</b>	Overload Protector	<b>No</b>
Ambient Temperature	<b>40 °C</b>	Drive End Bearing Size	<b>NU319</b>
Opp Drive End Bearing Size	<b>6318</b>	UL	<b>No</b>
CSA	<b>N</b>	CE	<b>N</b>
IP Code	<b>54</b>		

### Technical Specifications

Electrical Type	<b>Squirrel Cage Inverter Rated</b>	Starting Method	<b>Line Or Inverter</b>
Poles	<b>6</b>	Rotation	<b>Reversible</b>
Mounting	<b>Rigid base</b>	Motor Orientation	<b>Horizontal</b>
Drive End Bearing	<b>Roller</b>	Opp Drive End Bearing	<b>Ball</b>
Frame Material	<b>Cast Iron</b>	Shaft Type	<b>T</b>
Overall Length	<b>51.85 in</b>	Frame Length	<b>28.75 in</b>
Shaft Diameter	<b>3.375 in</b>	Shaft Extension	<b>8.76 in</b>
Assembly/Box Mounting	<b>F1 Only</b>		
Outline Drawing	<b>B-SS515578-2875</b>	Connection Diagram	<b>A-EE7300S</b>



- NOTES:  
 1. CONDUIT BOX CAN ONLY BE ROTATED CLOCKWISE UP TO 270° FROM ITS ORIGINAL POSITION.  
 2. NAMEPLATES TO BE READ FROM CONDUIT BOX SIDE OF MOTOR.

DASH	FRAME	B	C	2F	2FF	BS
2875	447T	28.25 [717.55]	51.85 [1316.99]	20.00 [508.00]	-----	2.09 [53.09]
2875	449T	28.25 [717.55]	51.85 [1316.99]	-----	25.00 [635.00]	2.09 [53.09]

DRAWING REVISION <b>C</b>	REVISION BY AJW	DATE 03-31-2015
ECO-0074730	APPROVED BY TDB	DATE 04-01-2015
ECO DESCRIPTION <b>UPDATED TO CURRENT STANDARDS</b>		
<small>COPYRIGHT REGAL BELOIT AMERICA, INC. ALL RIGHTS RESERVED.          PROPRIETARY AND CONFIDENTIAL INFORMATION - THIS DOCUMENT IS THE PROPERTY OF          REGAL BELOIT AMERICA, INC. ("OWNER") AND CONTAINS OWNER'S PROPRIETARY          INFORMATION. ANY PERSON, CORPORATION OR OTHER FIRM RECEIVING IT IS DEEMED,          BY RECEIVING IT, TO AGREE THAT IT, AND/OR ANY PART OF IT, SHALL NOT BE DISCLOSED          TO ANY PERSON, CORPORATION OR OTHER ENTITY, DUPLICATED, AND/OR USED, EXCEPT          AS EXPRESSLY APPROVED IN WRITING IN ADVANCE BY OWNER. THIS DOCUMENT SHALL          BE RETURNED TO OWNER UPON REQUEST. IT MAY BE SUBJECT TO CERTAIN          RESTRICTIONS UNDER APPLICABLE EXPORT CONTROL LAWS AND REGULATIONS.</small>		

TOLERANCES UNLESS OTHERWISE SPECIFIED:			
DEC	INCH	mm	ANGLE
.X	+0.1	[+2.5]	±7° 30'
.XX	±0.03	[±0.76]	
.XXX	±0.005	[±0.127]	
.XXXX	±0.0005	[±0.0127]	
REMOVE BURRS & BREAK SHARP EDGES: .003/.015 [.076/.381] X 45°			
CORNER FILLETS: R.02 [.51]			
MACHINED SURFACES: 200 INCH 5.1 mm			
mm SHOWN IN [BRACKETS]			

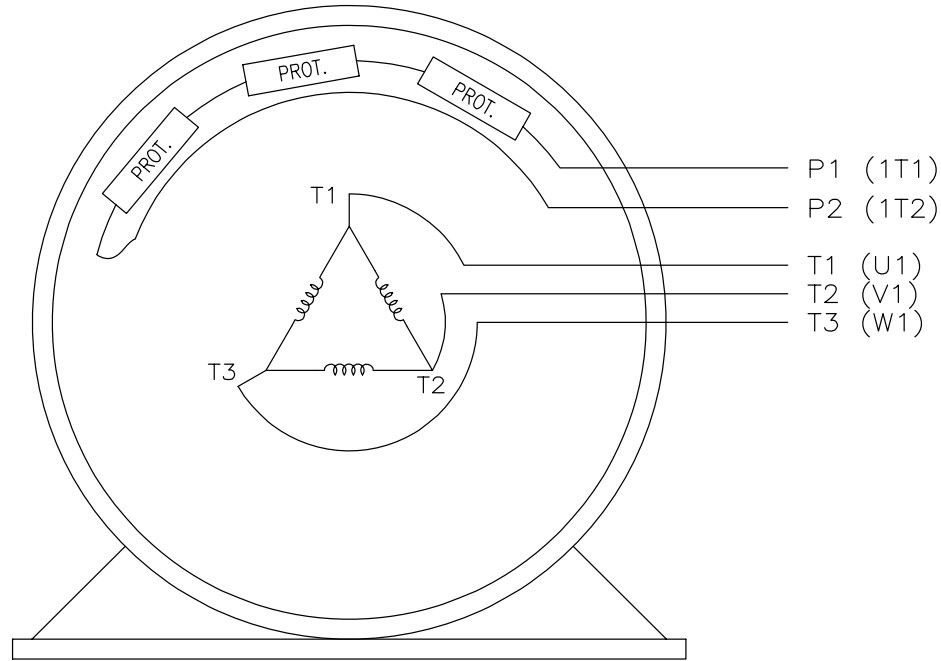
DRAWN BY SMC
DATE 04-15-1996
APPROVED BY JPN
DATE 04-19-1996
REFERENCE

Regal Beloit America, Inc.	
DESCRIPTION <b>OUTLINE</b> 447/449T FR. -EXP. PR.- STD.	
MATERIAL	PROCESS/FINISH
THIRD ANGLE PROJECTION	SIZE <b>B</b>
DRAWING NUMBER <b>SS515578</b>	SHEET 1 OF 1

EE7300S

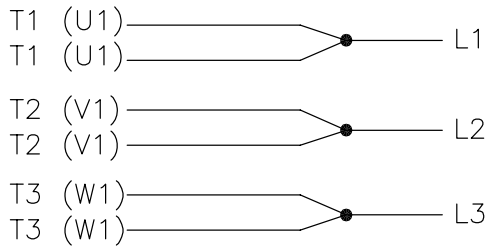
THREE PHASE – SINGLE VOLTAGE MOTOR

TO REVERSE ROTATION:  
INTERCHANGE ANY TWO LINE  
LEAD CONNECTIONS



VIEW OF TERMINAL END

IF MOTOR HAS MULTIPLE  
T'S PER LEAD CONNECT  
TOGETHER LIKE T'S



A-9806 DECAL

NO.	REVISION	BY & DATE	CHK	TOLERANCES UNLESS SPECIFIED		FINISH	DRAWN	PAGE	OF	REV.
				DEC.	INCHES					
F	UPDATED TITLE BLOCK	HV 02-27-2014	EWB	.X	± -		KL	12-15-1999		
3	REMOVED "N.C." FROM PROT.'S MU61770	JJB 08-02-2010		.XX	± -		CHK	DJK 12-15-1999		
2	ADDED IEC MARKINGS MU61770	KL 09-16-2004	EAB	.XXX	± -	TITLE CONNECTION DIAGRAM – EXTERNAL SINGLE VOLTAGE 3Ø MOTOR	APPD	DJK 12-15-1999	SCALE	1=1
1	NEW DRAWING	KL 12-16-1999		.XXXX	± -	MAT'L.			REF	
				ANG	± -				FMF	
									PREV	
THIS DRAWING IN DESIGN AND DETAIL IS OUR PROPERTY AND MUST NOT BE USED EXCEPT IN CONNECTION WITH OUR WORK ALL RIGHTS OF DESIGN AND INVENTION ARE RESERVED THIS IS AN ELECTRONICALLY GENERATED DOCUMENT – DO NOT SCALE THIS PRINT						RFP	CAD FILE	ee7300s	SIZE	A
						DIST	WA-LB-SB	DRAWING NO.	EE7300S	







Data Sheet

Date: 6/29/2017

449TGS16585

Customer:



Submital

Attention:

FAREEDA DUDEKULA

Data @ 460 V

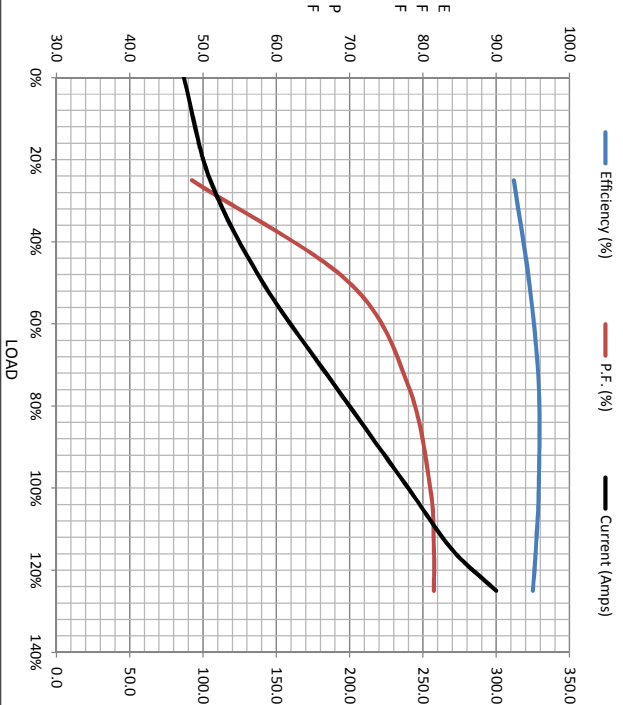
Load	Motor Load Data							
	0%	25%	50%	75%	100%	115%	125%	LR
Current (Amps)	87.0	105	141	190	240	270	300	1,450
Torque (ft-lb)	0.00	220	440	661	883	995	1,108	1,325
RPM	1200	1196	1194	1192	1190	1,188	1,186	0
Efficiency (%)		92.4	94.5	95.8	95.8	95.4	95.0	
P.F. (%)	4.0	48.5	70.0	78.0	81.0	81.5	81.5	25.5

Motor Speed Data

	LR	Pull-Up	BD	Rated	Idle
Speed (rpm)	0	600	1075	1190	1200
Current (Amps)	1,450	1,350	825	240	87.0
Torque (ft-lb)	1,325	1,300	2,100	883	0.00

Information Block

HP	200.0
Sync. RPM	1200
Frame	449
Enclosure	TEFC
Construction	TEN
Voltage	460#380 V
Frequency	60 HZ
Design	B
LR Code letter	G
Service Factor	1.15
Temp Rise @ FL	65 °C
Duty	CONT
Ambient	40 °C
Elevation	1,000 feet
Rotor/Shaft wkt	115 Lb-Fe
Rel Wdg	T449627 R4
Sound Pressure @ 1M	75 dBA
VFD Rating	CONSTANT 10:1
Outline Dwg	B-SS15578-2875
Conn. Diag	A-EE7300S
Additional Specifications:	
EQUIV CKT (OHMS / PHASE)	
R1	R2
0.0100	0.0100
X1	X2
0.1250	0.1600
Xm	Xm
	2.7410



Speed -Torque Curve

