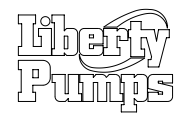
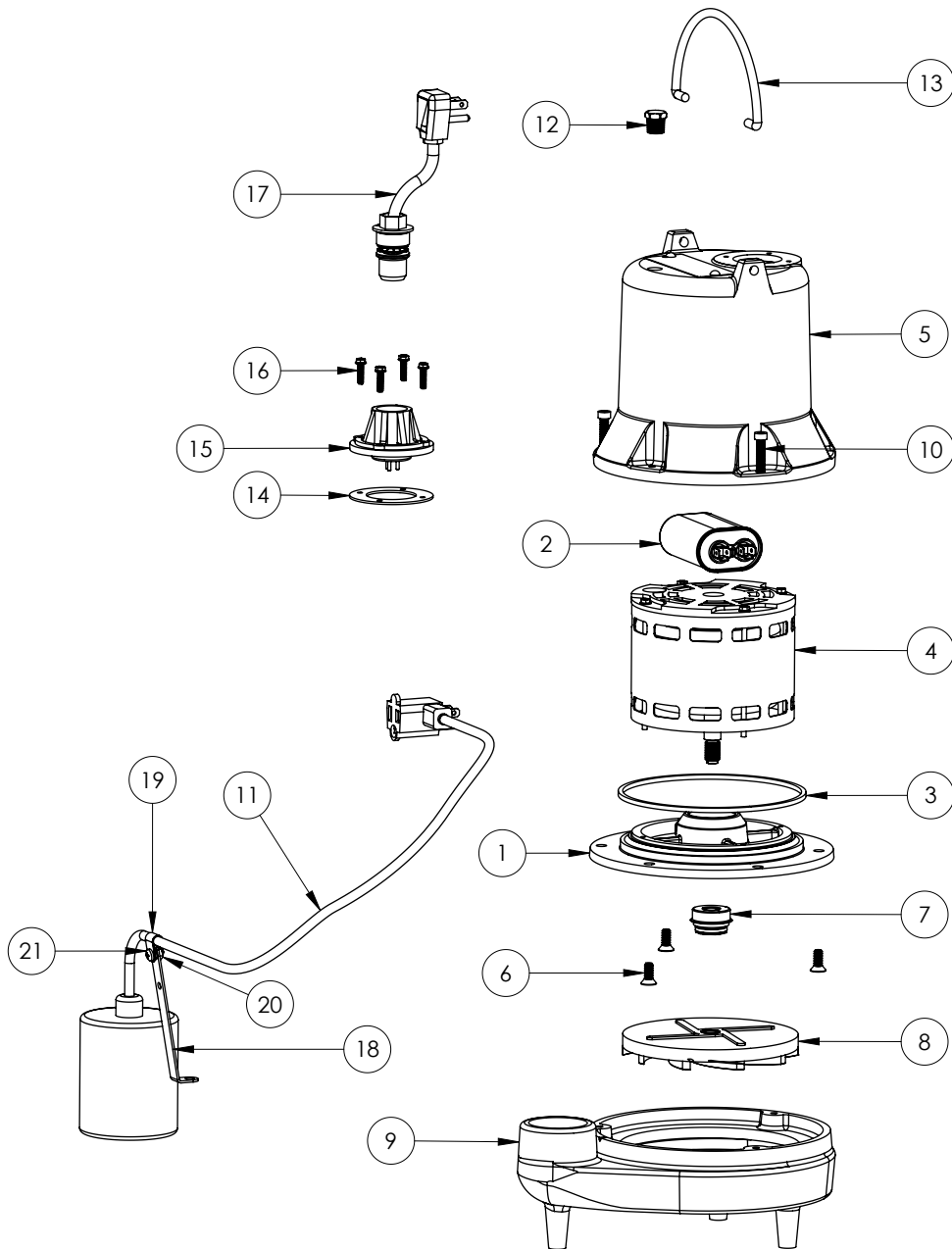


FL32A-2 (B42)



**FL32A-2****FL32A-2 (B42)**

| <b>#</b> | <b>PART #</b> | <b>DESCRIPTION</b>                               | <b>QTY</b> | <b>Note</b> |
|----------|---------------|--|------------|-------------|
| 1        | 509200R       | MOTOR SUPPORT PLATE                              | 1          | [1]         |
| 2        | 51930E0       | CAPACITOR  | 1          |             |
| 3        | 5066000       | SEALRING, MOTOR COVER, #254S                     | 1          | [1]         |
| 4        | 51982A0       | MOTOR .5HP PSC 230V                              | 1          | [1]         |
| 5        | 545000R       | MOTOR COVER                                      | 1          |             |
| 6        | 8018000       | 1/4-20 x 5/8 SLOTTED FLAT HEAD BOLT              | 3          |             |
| 7        | 50980A0       | 1/2 INCH UNITIZED SEAL                           | 1          | [1]         |
| 8        | K001036       | IMPELLER   | 1          |             |
| 9        | 500100R       | HOUSING, VOLUTE                                  | 1          |             |
| 10       | 8091000       | 1/4-20 x 1 HEX SOCKET HEAD BOLT                  | 3          |             |
| 11       | K001062       | PUMP SWITCH, 25FT. INCLUDES MOUNTING<br>HARDWARE | 1          |             |
| 12       | 50710A0       | PIPE PLUG, 1/4" HEX HD BRASS NPTF                | 1          |             |
| 13       | K001095       | STAINLESS STEEL HANDLE                           | 1          |             |
| 14       | 5060000       | CORD PLATE GASKET                                | 1          |             |
| 15       | 5014000       | CORD PLATE                                       | 1          |             |
| 16       | 8064000       | #8-32 x 5/8 HEX WASHER HEAD SCREW                | 4          |             |
| 17       | K001059       | POWER CORD, 230V, 25 FOOT CORD                   | 1          |             |
| 18       | 5070000       | FLOAT SWITCH SUPPORT                             | 1          |             |
| 19       | 8014000       | CABLE CLAMP                                      | 1          |             |
| 20       | 8002000       | #10-24 STAINLESS STEEL HEX                       | 1          |             |
| 21       | 8082000       | #10-24 x 3/8 EPOXY LOCK SCREW                    | 1          |             |

**PART NOTES:**

[1] - Part requires factory authorized service. Contact Liberty Pumps at 1-800-543-2550