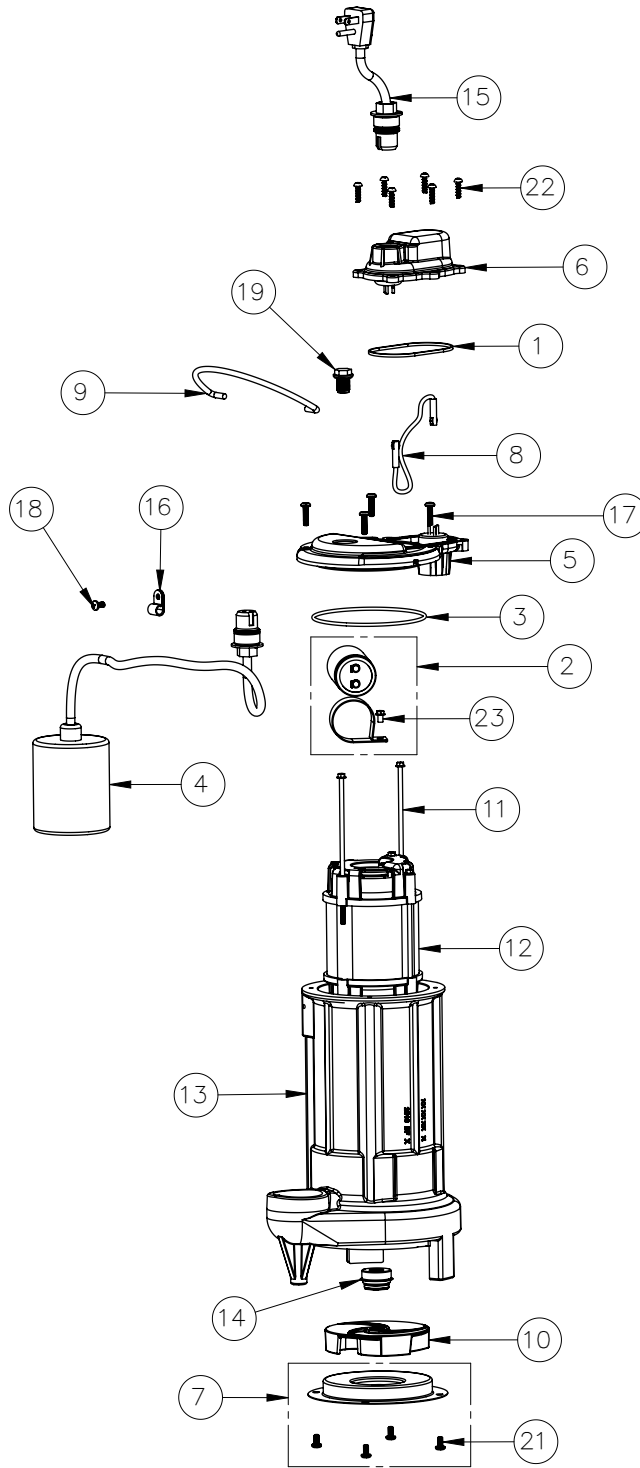


291HV (B39)



291HV**291HV (B39)**

| # | PART # | DESCRIPTION | QTY | Note |
|----|---------|--|-----|------|
| 1 | K001046 | SEALRING, CHAMBER COVER | 1 | |
| 2 | K001354 | CAPACITOR KIT | 1 | |
| 3 | 2357000 | O-RING | 1 | [1] |
| 4 | K001080 | 2405000 MECHANICAL SWITCH W/ QUICKPLUG | 1 | |
| 5 | 240600B | MOTOR COVER | 1 | |
| 6 | 240700B | CHAMBER COVER | 1 | |
| 7 | K001349 | 290 SERIES STAMPING INLET KIT | 1 | |
| 8 | 2074000 | JUMPER WIRE WITH TERMINALS | 1 | |
| 9 | K001082 | HANDLE | 1 | |
| 10 | K001351 | 290 SERIES IMPELLER KIT | 1 | |
| 11 | 2904E20 | 8-32 SCREW 5.688 | 2 | |
| 12 | 2426200 | MOTOR, 230V | 1 | [1] |
| 13 | 290300J | CAST IRON HOUSING | 1 | [1] |
| 14 | 50980A0 | 1/2 INCH UNITIZED SEAL | 1 | [1] |
| 15 | K001010 | POWER CORD, 115V, 10 FOOT CORD | 1 | |
| 16 | 8014000 | CABLE CLAMP | 1 | |
| 17 | 8072000 | #10 - 24 x 3/4" SCREW | 4 | |
| 18 | 8082000 | #10-24 x 3/8 EPOXY LOCK SCREW | 1 | |
| 19 | 8089000 | OIL PLUG, O-RING ASSEMBLY | 1 | |
| 21 | 8092000 | #10 - 24 x 3/8" SCREW | 4 | |
| 22 | 8104200 | #10 HILO X 5/8" STAINLESS STEEL SCREW | 6 | |
| 23 | 8160000 | CAPACITOR SCREW | 1 | |

PART NOTES:

[1] - Part requires factory authorized service. Contact Liberty Pumps at 1-800-543-2550