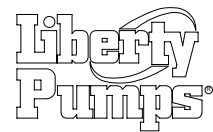
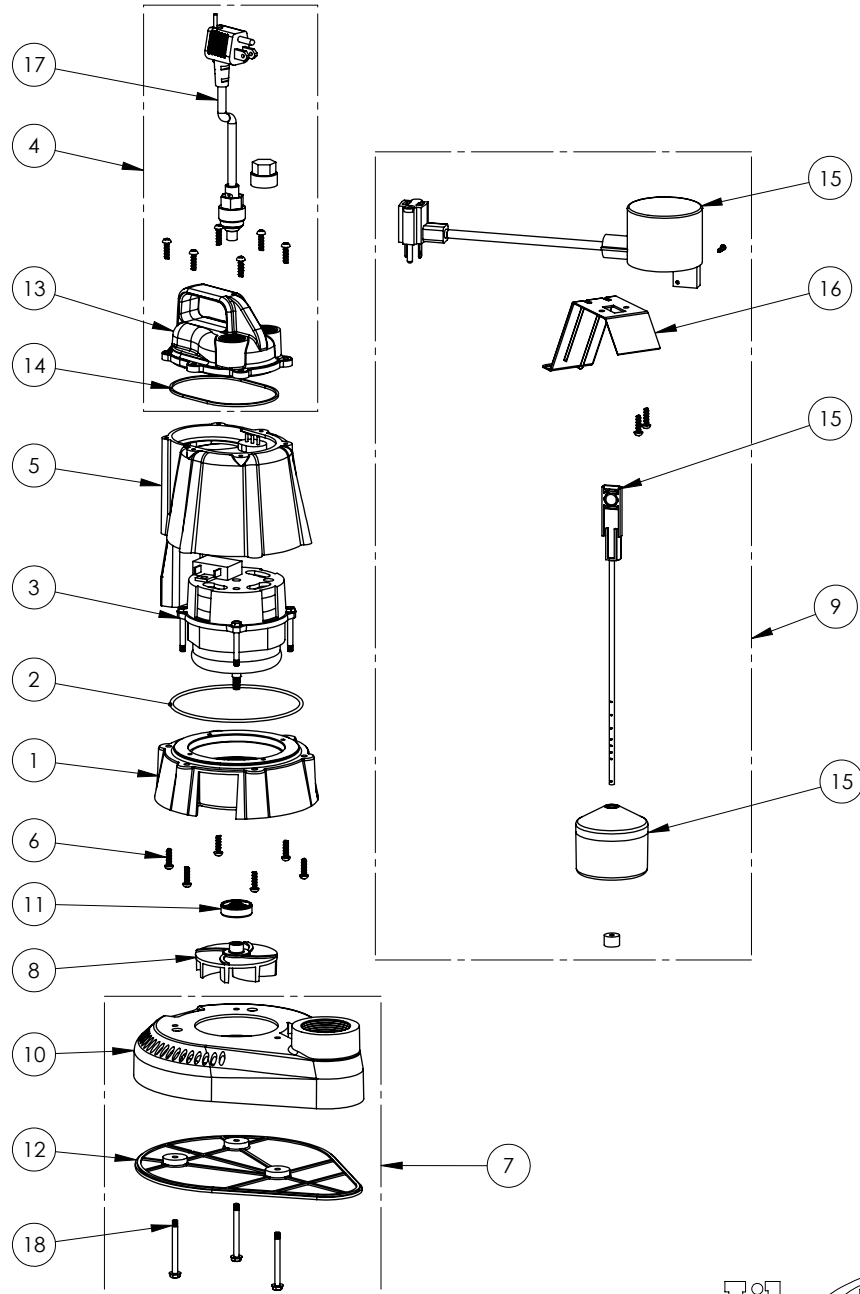


S37-P (B34)



S37-P**S37-P (B34)**

| # | PART # | DESCRIPTION | QTY | Note |
|----------|---------------|---------------------------------------|------------|-------------|
| 1 | 3011000 | MOTOR PLATE | 1 | |
| 2 | 3026000 | O-RING | 1 | |
| 3 | 3012000 | MOTOR | 1 | |
| 4 | K001165 | CORD/COVER ASSEMBLY | 1 | |
| 5 | 3010000 | S35 HOUSING | 1 | |
| 6 | 8104200 | #10 HILO X 5/8" STAINLESS STEEL SCREW | 14 | |
| 7 | K001090 | VOLUTE ASSEMBLY | 1 | |
| 8 | 3019M00 | IMPELLER | 1 | |
| 9 | K001559 | SWITCH KIT, WITH BRACKET | 1 | |
| 10 | 3013000 | VOLUTE | 1 | |
| 11 | 3039000 | DOUBLE LIP SEAL | 1 | |
| 12 | 3016000 | BASE PLATE | 1 | |
| 13 | 3017000 | CHAMBER COVER | 1 | |
| 14 | 3018000 | CHAMBER SEAL RING | 1 | |
| 15 | 4635000 | VERTICAL SWITCH ASSEMBLY | 1 | |
| 16 | 3381 | S37 SWITCH BRACKET | 1 | |
| 17 | 3040EB0 | S37 POWER CORD | 1 | |
| 18 | 3029 | WASHER HEAD CAP SCREW | 3 | |