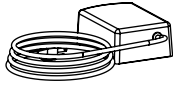


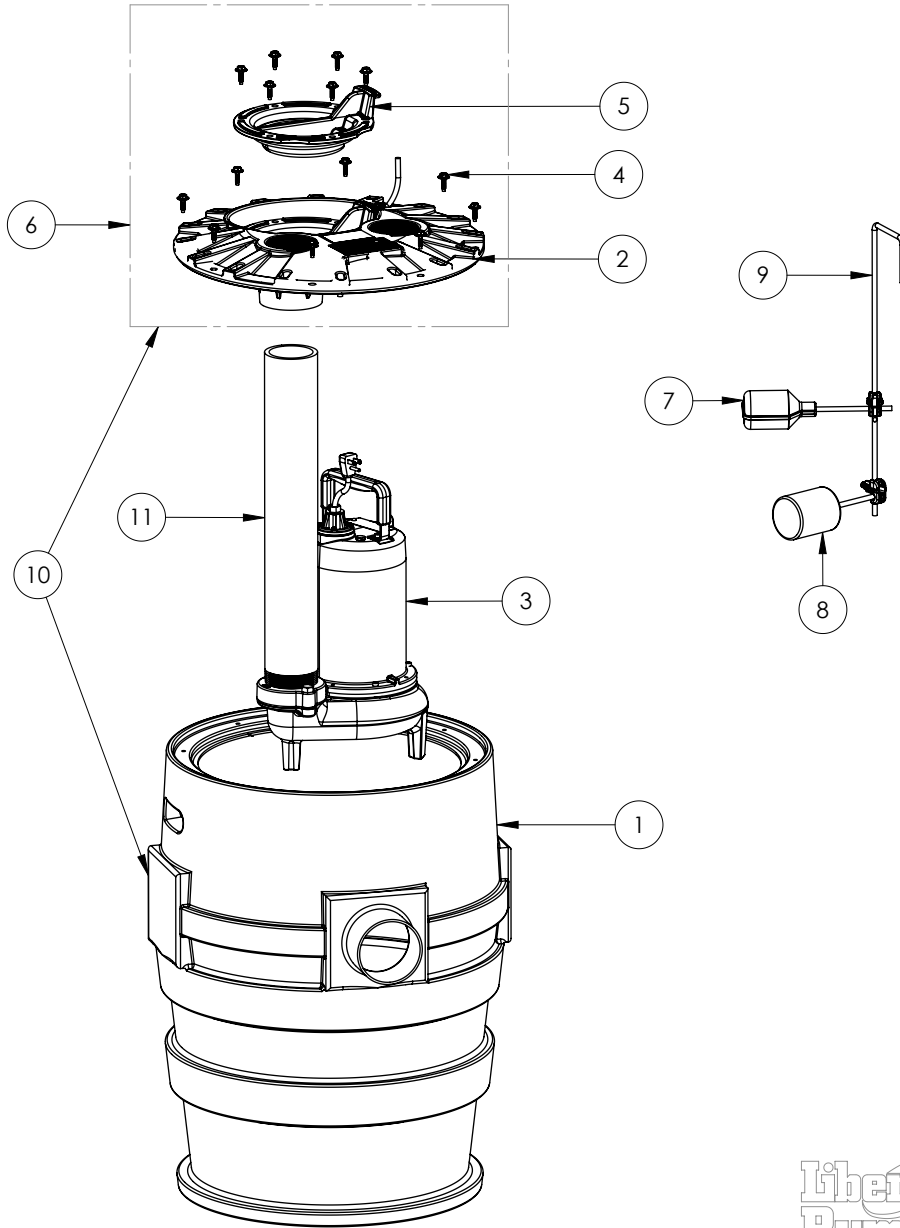
P373LEH102

P373LEH102 (B10)

NOTE: NOT ALL SYSTEMS COME WITH ALARM



ALARM OPTIONS	ADD SUFFIX	LABEL EXAMPLE	PART NUMBER
ALM-2	/A2	P382LE41/A2	6224000
ALM-2W	/A2W	P382LE41/A2W	6626000
ALM-2-1	/A21	382LE41/A21	6222000



P373LEH102 (B10)

#	PART #	DESCRIPTION	QTY	Note
1	K001132	41 GALLON TANK	1	
2	50350A0	3X3 COVER, 8 BOLTS, FOR PVC PIPE	1	
3	LEH102M3	1 HP SEWAGE PUMP 208-230V, 10' POWER CORD	1	
4	K001162	COVER HARDWARE, WASHER HEAD HEX SCREWS 14 INCLUDED IN KIT	1	
5	K001233	INSPECTION COVER, INCLUDES MOUNTING SCREWS (6)	1	
6	K001102	3X3 COVER ASSEMBLY	1	
7	Pro Series Alarm switch (B10)	REPLACEMENT SWITCH BASED ON SYSTEM LABEL	1	[1]
8	K001065	61290A0 FLOAT SWITCH, 230V, 10 FOOT CORD	1	
9	K001123	QUICKTREE KIT, ROD & CLAMPS ONLY	1	
10	K001118	P373 TANK & 3X3 COVER ASSEMBLY	1	
11	40660A0	3" SCH80 PVC PIPE FOR 30" TANKS, 23-3/8" LONG	1	
12	K001065	61290A0 FLOAT SWITCH, 230V, 10 FOOT CORD	1	
13	K001186	SWITCH KIT, 230V, 25ft CORD	1	
14	K001134	FLOAT SWITCH, 20FT CORD, INCLUDES 1 SWITCH PER KIT	1	
15	K001415	60050D0 SWITCH, 10' PILOT DUTY PIGTAIL	1	

**PART NOTES:**

[1] - \*\*NOTE\*\*

ALARM SWITCH KITS

For /A2 Suffix of model number use Part No. K001134

For /A21 Suffix of model number use Part No. K001415

For /A2W Suffix of model number use Part No. K001134