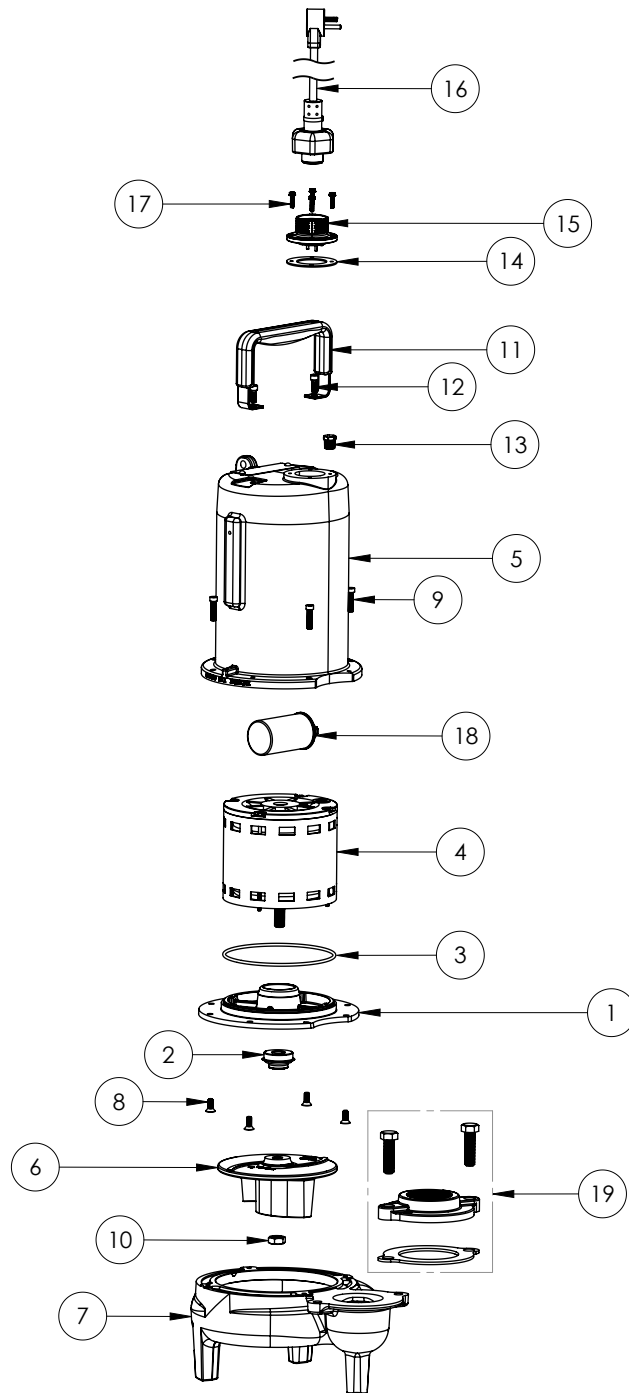


LE72M2-3 (B71)



**LE72M2-3****LE72M2-3 (B71)**

| #  | PART #  | DESCRIPTION                                    | QTY | Note |
|----|---------|--|-----|------|
| 1  | 53260AR | MOTOR PLATE                                    | 1   |      |
| 2  | K001717 | KIT, 5/8 UNITIZED 5120000 AND LIP SEAL 5860000 | 1   |      |
| 3  | 5617000 | O-RING   | 1   |      |
| 4  | 5341200 | 3/4 HP MOTOR                                   | 1   | [1]  |
| 5  | 531400R | MOTOR COVER                                    | 1   | [1]  |
| 6  | 5130000 | IMPELLER, CAST IRON                            | 1   |      |
| 7  | 531500R | VOLUTE HOUSING                                 | 1   |      |
| 8  | 8018000 | 1/4-20 x 5/8 SLOTTED FLAT HEAD BOLT            | 4   |      |
| 9  | 8091000 | 1/4-20 x 1 HEX SOCKET HEAD BOLT                | 4   |      |
| 10 | 8046000 | 1/2-20 HEX STAINLESS STEEL JAM NUT             | 1   |      |
| 11 | 3411200 | HANDLE   | 1   |      |
| 12 | 8103000 | SCREW 1/4-20x5/8" HX SKT SS                    | 2   |      |
| 13 | 5071000 | BRASS OIL PLUG                                 | 1   |      |
| 14 | 5060000 | CORD PLATE GASKET                              | 1   |      |
| 15 | K001216 | 5619000, CORDPLATE                             | 1   |      |
| 16 | K001356 | POWER CORD, 35FT.                              | 1   |      |
| 17 | 8064000 | #8-32 x 5/8 HEX WASHER HEAD SCREW              | 4   |      |
| 18 | 51190F0 | CAPACITOR                                      | 1   |      |
| 19 | K001221 | 2" DISCHARGE KIT                               | 1   |      |

**PART NOTES:**

[1] - Part requires factory authorized service. Contact Liberty Pumps at 1-800-543-2550