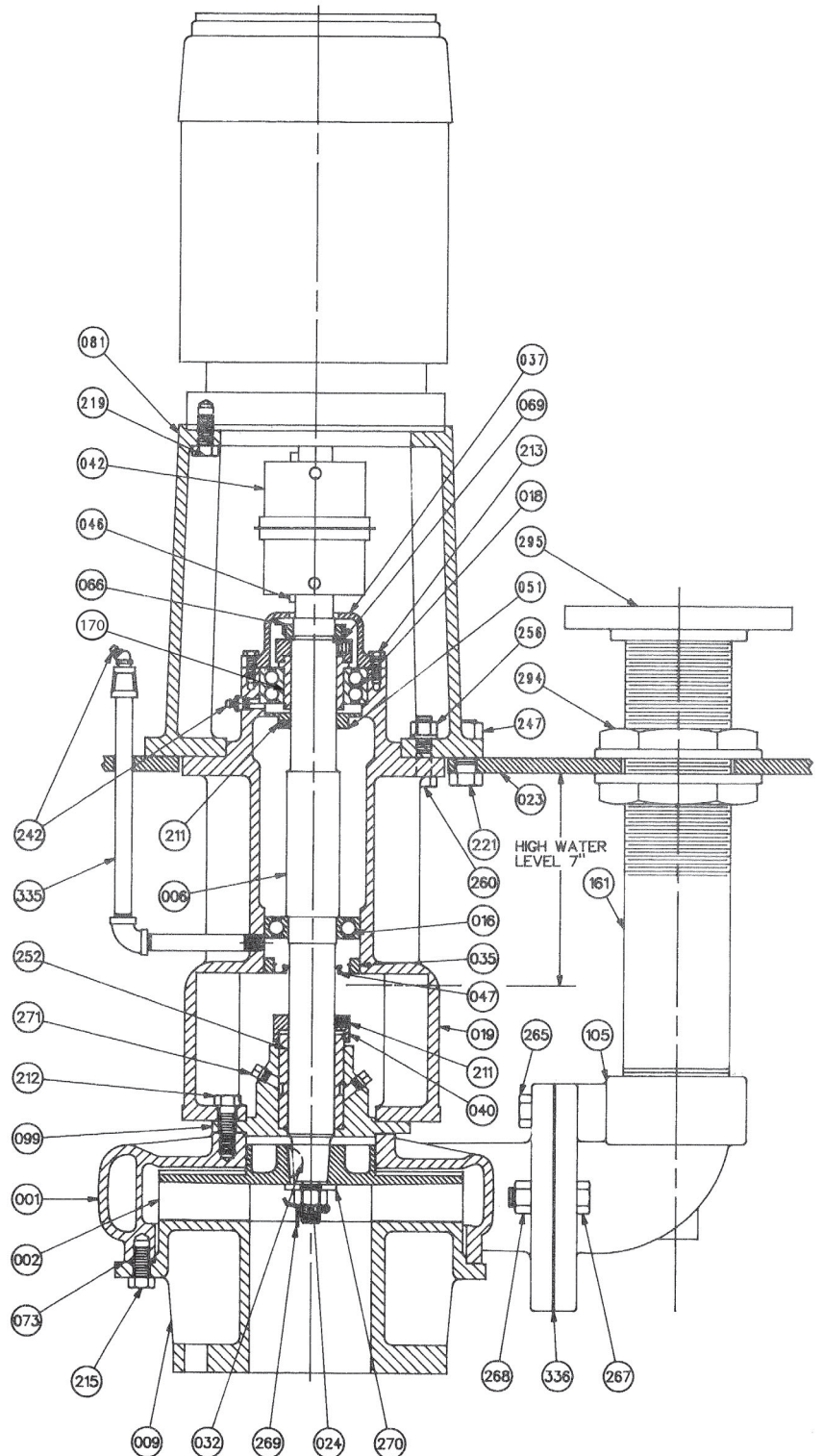


Model 5411 - Vertical Process Pumps

Item No.	Name Of Part
1	Casing
2	Impeller
6	Shaft
9	Suction Cover
* 16	Ball Bearing (Inboard)
* 18	Ball Bearing (Outboard)
19	Frame
23	Base Plate
* 24	Impeller Nut
32	Impeller Key
35	Bearing Cover (Inboard)
37	Bearing Cover (Outboard)
40	Deflector
42	Coupling
46	Coupling Key
47	Bearing Cover Seal
* 51	Grease Retainer
66	Shaft Adjusting Nut
69	Lock Washer
* 73	Gasket
81	Drive Pedestal
99	Throttle Housing
105	Discharge Elbow
161	Discharge Pipe
170	Bearing Adapter
211	Set Screw
212	Cap Screw
213	Cap Screw
215	Cap Screw
219	Cap Screw
221	Cap Screw
242	Grease Fitting
247	Hex Nut
252	Throttle Bushing
256	Hex Nut
260	Cap Screw
265	Cap Screw
267	Cap Screw
268	Cap Screw
* 269	Cotter Pin
270	Impeller Washer
271	Pipe Plug
294	Pipe Nut
295	Discharge Flange
335	Lube Pipe Assy.
* 336	Gasket

\* Recommended spare parts



**WARNING:**  
 CANCER AND REPRODUCTIVE HARM -  
 WWW.P65WARNINGS.CA.GOV

**Repair Parts**

Liquid End Parts											
Item 1 - Casing						Item 2 - Impeller					
Pump Size	Cast Iron		316 SS	Alloy 20		Shaft Taper	Cast Iron		316 SS	Alloy 20	
	Part No.	Dwg. No.	Part No.	Part No.	Dwg. No.		Part No.	Dwg. No.	Part No.	Part No.	Dwg. No.
1	0070076	33184	0070093	0070101	32512	7/8"	0009997	25060	0010651	0010660	24877
1½	0070078	41167	0070094	0070102	41303	7/8"	0010690	25063	0010758	0010772	24864
2½	0070084	41152	NA	NA	-	7/8"	0010812	25055	NA	NA	-
1 S	NA	-	0034110	0034119	4841	1"	NA	-	0010934	0010942	25025
1½ S	0070077	4784	NA	NA	-	1"	0010951	24587	NA	NA	-
1½ S	0070079	4782	0070095	0097877	4861	1"	0011010	24737	0035283	0035285	24737
1½ M	0070080	4805	0070096	0097878	4862	1"	0011085	32189	0035403	0046380	32189
1½ L	0070081	5130	0070097	0097891	5141	1½"	0011384	32234	0015158	0015166	32234
2 S	0070082	4711	0034111	0034120	4796	1"	0011117	110-213	0011170	0011182	24789
2 M	0070083	5125	0034112	0034121	4846	1"	0011250	32144	0011308	0011321	32304
3 S	0070085	5137	NA	NA	-	1"	0011451	25054	NA	NA	-
3 MD	0070086	41405	0034113	0034122	41440	1½"	0030781	26258	0058764	0058765	118-882
4 S	0070087	41121	0070098	0070103	41162	1"	0014994	26102	0029574	0029572	26545
4 MD	0070088	41406	0034114	0034123	41441	1½"	0011772	32400	0011804	0011820	32424
5 MSD	0070089	41407	0034115	0034124	41442	1½"	0011772	32400	0011804	0011820	32424
5 MD	0070089	41407	0034115	0034124	41442	1½"	0011914	32222	0011942	0011952	32238
6 MD	0070090	41408	0070099	0091468	41408	1½"	0012032	32639	0039856	0046374	32639
6 MLD	0070090	41408	0070099	0091468	41408	1½"	0094860	42057	0095532	0095207	42057
Item 9 - Suction											
Pump Size	Cast Iron		316 SS	Alloy 20		Pump Size	Cast Iron		316 SS	Alloy 20	
	Part No.	Dwg. No.	Part No.	Part No.	Dwg. No.		Part No.	Dwg. No.	Part No.	Part No.	Dwg. No.
1	0030076	24804	0010637	0010639	24878	2 M	0030083	32146	0011301	0011303	32303
1½	0030077	24891	0010750	0010752	24801	3 S	0030084	32300	NA	NA	-
2½	0030078	25056	NA	NA	-	3 MD	0030085	32131	0011570	0011572	32211
1 S	NA	-	0010925	0010927	25026	4 S	0030086	33038	0029375	0029373	33175
1½ S	0030079	24586	NA	NA	-	4 MD	0030087	32161	0011718	0011720	32246
1½ S	0030080	24738	0041947	0076102	25113	5 MSD	0030088	32221	0011938	0011940	32257
1½ M	0030081	32188	0046309	0058576	32337	5 MD	0030088	32221	0011938	0011940	32257
1½ L	0030090	32235	0015214	0015216	32423	6 MD	0030089	32638	0036652	0058582	32638
2 S	0030082	24297	0011166	0011168	24796	6 MLD	0030089	32638	0036652	0058582	32638
* Item 73 - Casing Gasket											
Pump Size	Velbuna	Acidet	Dwg. No.	Pump Size	Velbuna	Acidet	Dwg. No.				
	Part No.	Part No.			Part No.	Part No.					
1" - 1½"	0004466	0010641	112-247	1½ L	0004470	0024964	112-301				
1 S	NA	0010929	111-779	2½"	0004468	NA	112-509				
1½ S - 1½ S - 2 S - 3 S - 4 S	0004476	0010929	111-779								
1½ M - 2 M - 3 M - 4 M - 5 M - 5 MS	0004474	0011307	111-780								
6 M - 6 ML	0004474	0011307	111-780								

NA - Not Available  
Note: (1) Includes pipe plugs (where used) cap screws on size 1" thru 6 MLD

Note: Velbuna supplied with Cast Iron  
Acidet supplied with Alloy

\* Recommended spare parts

**Repair Parts**

Item 19 - Frame & Parts			
Item No.	Description	Fig. 5411	
		Part No.	Dwg. No.
* 16	Ball Bearing (Inboard) - Old Style	0029592	-
	Ball Bearing (Inboard) - New Style	0005260	-
* 18	Ball Bearing (Outboard)	0005402	-
19	Frame Only	0012990	4972
35	Bearing Cover (Inboard)	0015882	114-531
37	Bearing Cover - Split w/ Screws	0030416	114-521
40	Deflector w/ Screws	0030138	114-545
46	Coupling Key - Square	0002203	1¼ x ¾
* 47	Lip Seal	0046192	1½
51	Grease Retainer Assembly	0039582	121-871
66	Shaft Adjusting Nut	0003137	N-07
69	Bearing Lock Washer	0003130	W-07
81	Drive Pedestal For Frames 56C - 143 - 145TC - 182 - 184C For Frames 182 - 256TC - 213C - 256UC For Frames 284 - 286TC - 284 - 326UC	0027343 0020129 0018902	32694 32695 4976
99	Throttle Housing Cast Iron Fianite w/ Bushing	0009929 0022607	25938 116-650
211	Set Screw for Item 40 (2 required)	0003074	
212	Cap Screw ½" x 1½"	0000346	4 Req'd
213	Cap Screw for Item 37 1¼" x ¾"	0000346	4 Req'd
215	Cap Screw - Pump Size 1" thru 4 MD Steel - Pump Size 5 MSD thru 6 MLD Pump Size 1½ L	0000431 0000432 0000432	6 Req'd 8 Req'd 12 Req'd
242	Grease Fitting - for Item 18	0003131	-
* 252	Throttle Bushing - Cast Iron	0015872	114-534

Shaft Trim Parts					
Item 32 - Impeller Keys			Item 270 - Impeller Washer		
Shaft Taper	Material	Part No.	Shaft Taper	Material	Part No.
⅜"	316 SS	0065013	⅜"	316 SS	0065019
⅜"	C-20	0012456	⅜"	C-20	0012469
1"	316 SS	0030942	1"	316 SS	0065020
1"	C-20	0012463	1"	C-20	0012476
1¼"	316 SS	0065014	1¼"	316 SS	0065021
1¼"	C-20	0012557	1¼"	C-20	0012558
* Item 24 - Impeller Nut			* Item 269 - Cotter Pin		
Shaft Taper	Material	Part No.	Shaft Taper	Material	Part No.
⅜"	316 SS	0065010	⅜"	316 SS	0065016
⅜"	C-20	0016262	⅜"	C-20	0016313
1"	316 SS	0065011	1"	316 SS	0065017
1"	C-20	0016258	1"	C-20	0016315
1¼"	316 SS	0065011	1¼"	316 SS	0065017
1¼"	C-20	0016258	1¼"	C-20	0016315

\* Recommended spare parts



**Repair Parts**

Item 6 - Shaft with Trim - Items 24, 32, 269 & 270 (Note: For Pumps Assembled After 12-19-88) (New Style)				
Pump Size	Shaft Taper	Shaft Material	Part No.	Dwg. No.
1", 1½", 2½"	¾"	1045	0108465	35667
	¾"	316 SS	0108466	
1 S, 1¼ S, 1½ S, 1½ M, 2 M, 2 S, 4 S Also 3 M with 1" Taper	1"	1045	0108467	35668
	1"	316 SS	0108468	
1½ L, 3 M, 4 M, 5 MS, 6 M & 6 ML	1¼"	1045	0108469	35669
	1¼"	316 SS	0108470	
Item 6 (Conversion) - Shaft with Bearing & Trim - Items 16, 24, 32, 269 & 270 (Note: For Pumps Assembled Before 12-19-88) (Conversion from Old Style to New Style)				
Pump Size	Shaft Taper	Shaft Material	Part No.	Dwg. No.
1", 1½", 2½"	¾"	1045	0108384	35667
	¾"	316 SS	0108385	
1 S, 1¼ S, 1½ S, 1½ M, 2 M, 2 S, 4 S Also 3 M with 1" Taper	1"	1045	0108386	35668
	1"	316 SS	0108387	
1½ L, 3 M, 4 M, 5 MS, 6 M & 6 ML	1¼"	1045	0108388	35669
	1¼"	316 SS	0108389	
Item 6 (Old Style) - Shaft with Trim - Items 24, 32, 269 & 270 (Note: For Pumps Assembled Before 12-19-88) (Old Style must use existing bearings)				
Pump Size	Shaft Taper	Shaft Material	Part No.	Dwg. No.
1", 1½", 2½"	¾"	1045	0066462	26708
	¾"	316 SS	0066463	
1 S, 1¼ S, 1½ S, 1½ M, 2 M, 2 S, 4 S Also 3 M with 1" Taper	1"	1045	0030120	25684
	1"	316 SS	0030127	
1½ L, 3 M, 4 M, 5 MS, 6 M & 6 ML	1¼"	1045	0030121	25929
	1¼"	316 SS	0030128	

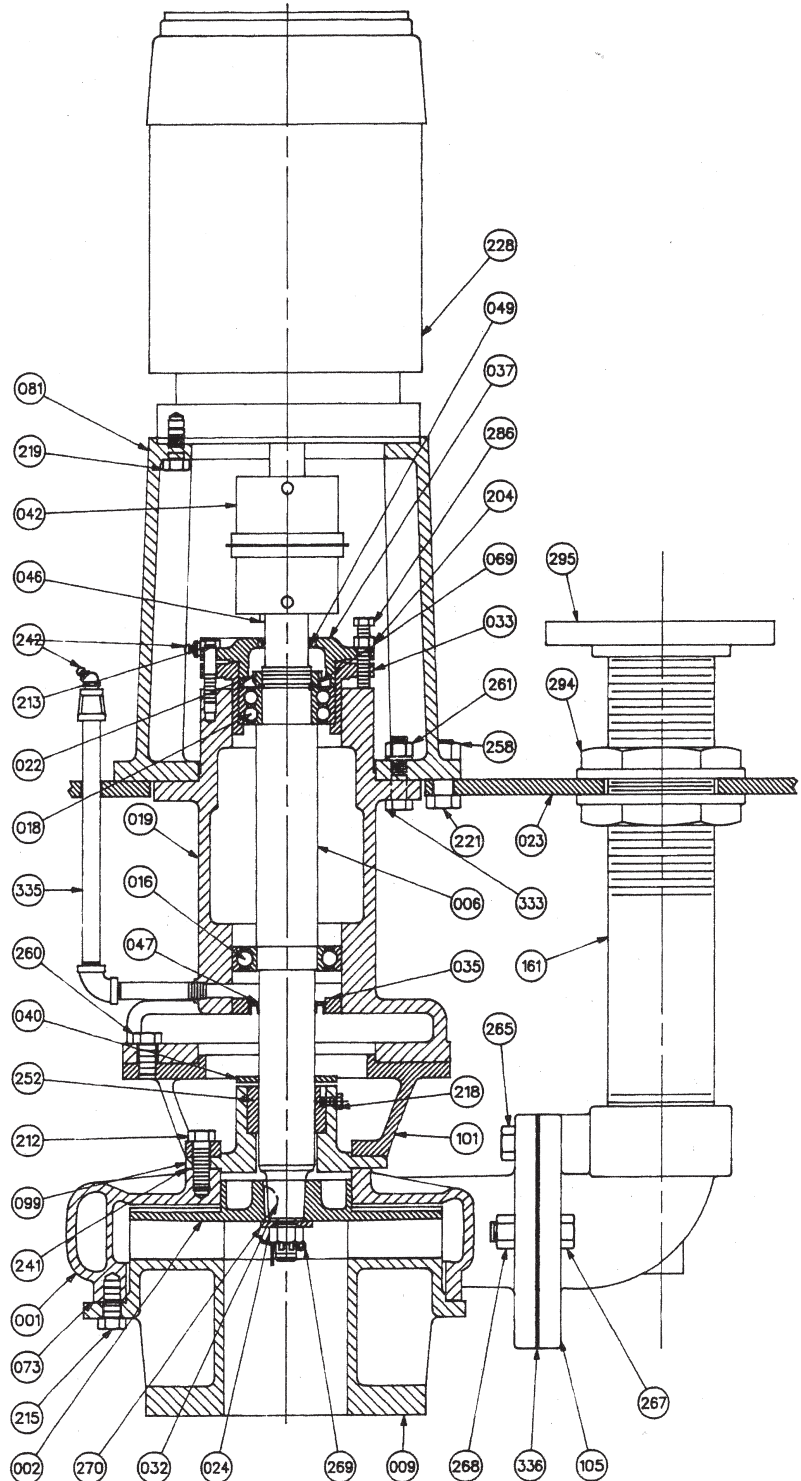
* Item 336 - Flange Gasket					
For 3" Pipe	For 4" Pipe	For 5" Pipe	For 6" Pipe		
Part No.	Part No.	Part No.	Part No.	Material	Dwg. No.
0007200	0007201	0007202	0007203	Rubber	113-646

\* Recommended spare parts

Model 5462H - Vertical Process Pumps

Item No.	Name Of Part
1	Casing
2	Impeller
6	Shaft
9	Suction Cover
* 16	Ball Bearing (Inboard)
* 18	Ball Bearing (Outboard)
19	Frame
22	Bearing Lock Nut
23	Base Plate
* 24	Impeller Nut
32	Impeller Key
33	Bearing Housing (Outboard)
35	Bearing Cover (Inboard)
37	Bearing Cover (Outboard)
40	Deflector
42	Coupling
46	Coupling Key
* 47	Bearing Cover Seal
* 49	Bearing Cover Seal
69	Lock Washer
* 73	Gasket
81	Drive Pedestal
99	Throttle Housing
101	Column
105	Discharge Elbow
161	Discharge Pipe
204	Adjusting Lock Nut
212	Cap Screw
213	Cap Screw
215	Cap Screw
218	Cap Screw
219	Cap Screw
221	Cap Screw
228	Motor
* 241	Gasket
242	Grease Fitting
252	Throttle Bushing
258	Hex Nut
260	Cap Screw
261	Hex Nut
265	Cap Screw
267	Cap Screw
268	Cap Screw
* 269	Cotter Pin
270	Impeller Washer
286	Jackscrew
294	Pipe Nut
295	Discharge Flange
332	Cap Screw (Not Shown)
335	Lube Pipe Assy.
* 336	Gasket

\* Recommended spare parts



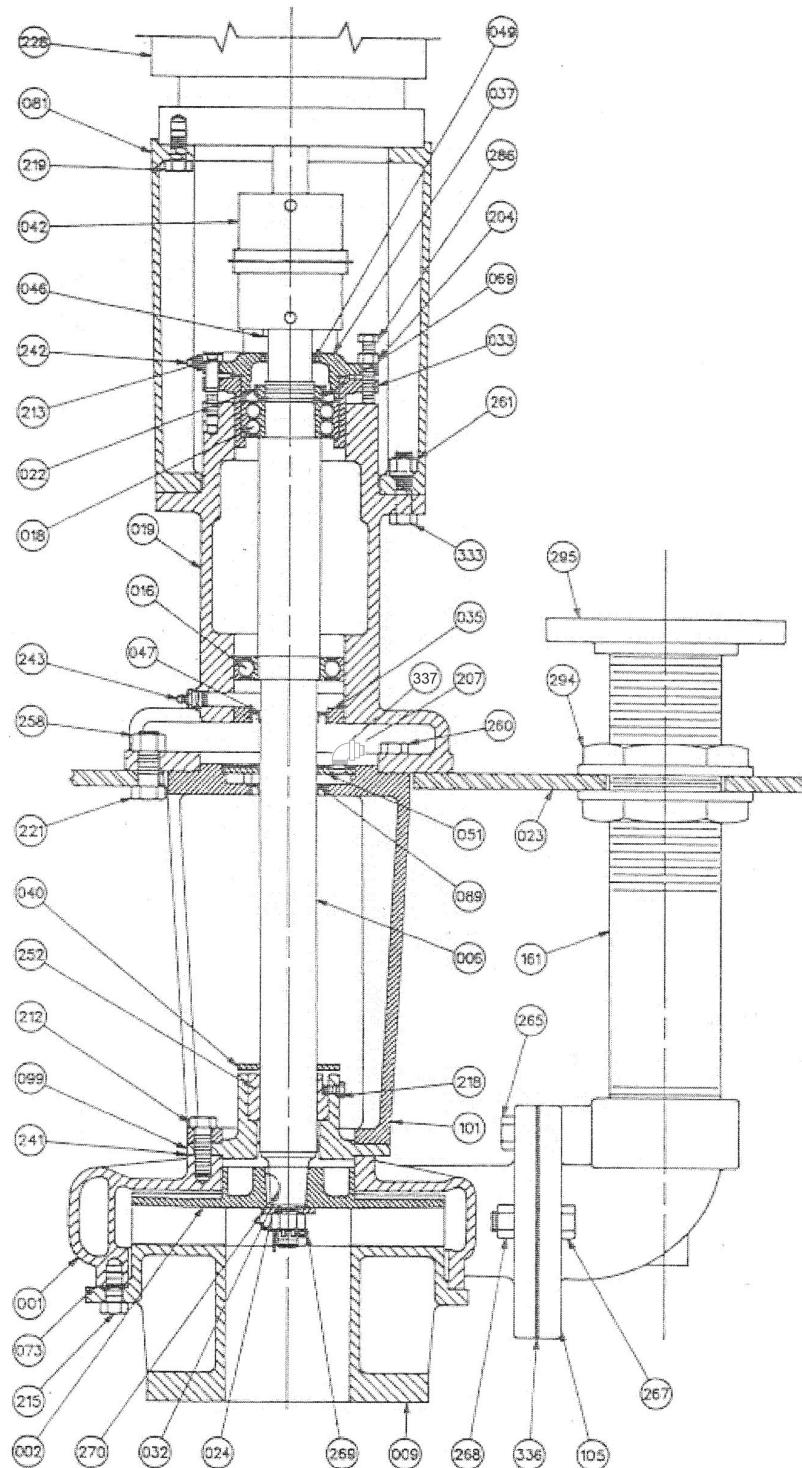
**WARNING:**  
 CANCER AND REPRODUCTIVE HARM -  
 WWW.P65WARNINGS.CA.GOV



## Repair Parts

Model 5562H - Vertical Process Pumps

Item No.	Name Of Part
1	Casing
2	Impeller
6	Shaft
9	Suction Cover
* 16	Ball Bearing (Inboard)
* 18	Ball Bearing (Outboard)
19	Frame
22	Bearing Lock Nut
23	Base Plate
* 24	Impeller Nut
32	Impeller Key
33	Bearing Housing (Outboard)
35	Bearing Cover (Inboard)
37	Bearing Cover (Outboard)
40	Deflector
42	Coupling
46	Coupling Key
* 47	Bearing Cover Seal
* 49	Bearing Cover Seal
51	Grease Retainer
69	Lock Washer
* 73	Gasket
81	Drive Pedestal
* 89	Lip Seal
99	Throttle Housing
101	Column
105	Discharge Elbow
161	Discharge Pipe
204	Adjusting Lock Nut
207	Grease Fitting
212	Cap Screw
213	Cap Screw
215	Cap Screw
218	Cap Screw
219	Cap Screw
221	Cap Screw
228	Motor
* 241	Gasket
242	Grease Fitting
243	Grease Fitting
252	Throttle Bushing
258	Hex Nut
260	Cap Screw
261	Hex Nut
265	Cap Screw
267	Cap Screw
268	Cap Screw
* 269	Cotter Pin
270	Impeller Washer
286	Jackscrew
294	Pipe Nut
295	Discharge Flange
332	Cap Screw (Not Shown)
335	Lube Pipe Assy.
* 336	Gasket
337	Street Elbow



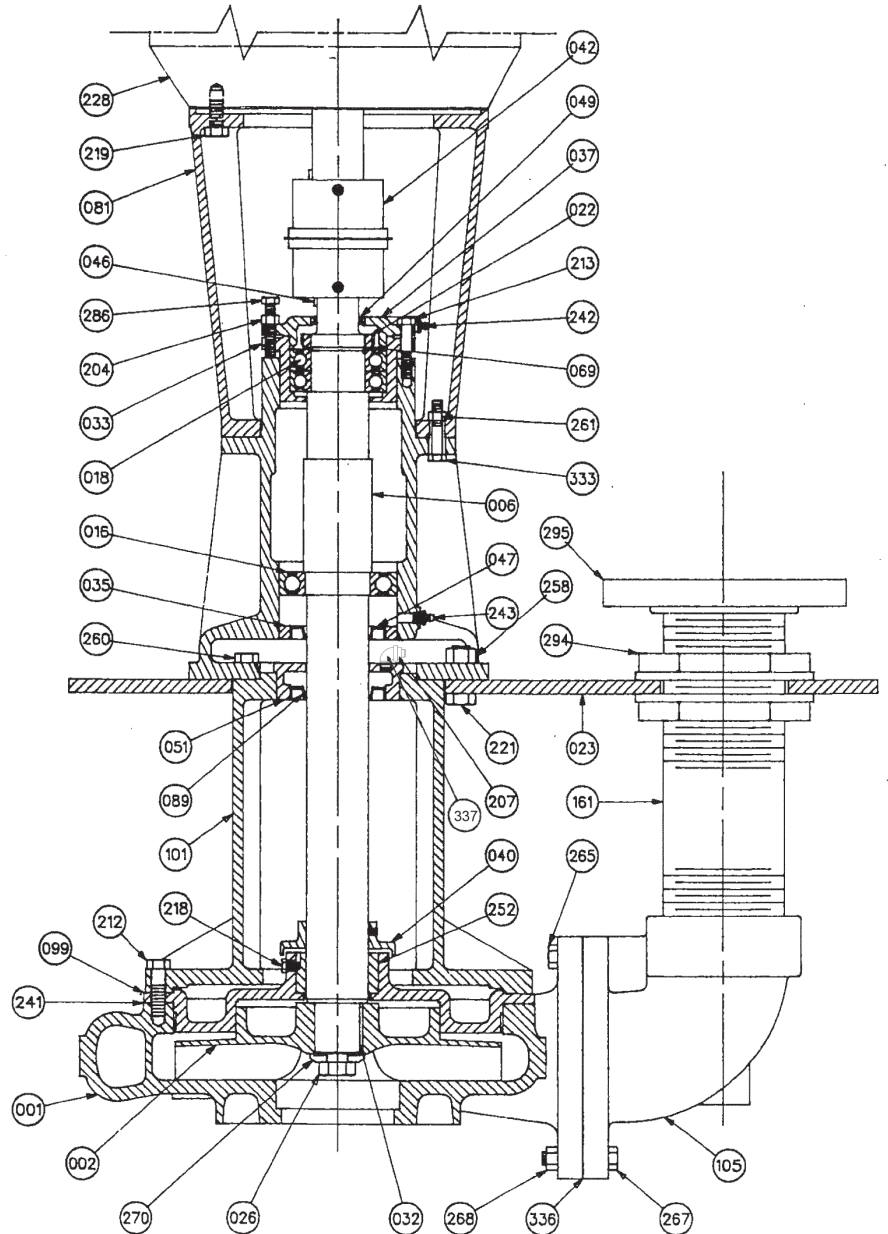
\* Recommended spare parts



**WARNING:**  
CANCER AND REPRODUCTIVE HARM -  
WWW.P65WARNINGS.CA.GOV

Model 5564 - Vertical Process Pumps

Item No.	Name Of Part
1	Casing
2	Impeller
6	Shaft
* 16	Ball Bearing (Inboard)
* 18	Ball Bearing (Outboard)
19	Frame
22	Bearing Lock Nut
23	Base Plate
* 26	Impeller Screw
32	Impeller Key
33	Bearing Housing (Outboard)
35	Bearing Cover (Inboard)
37	Bearing Cover (Outboard)
40	Deflector
42	Coupling
46	Coupling Key
* 47	Bearing Cover Seal
* 49	Bearing Cover Seal
51	Grease Retainer
69	Lock Washer
81	Drive Pedestal
89	Lip Seal
99	Throttle Housing
101	Column
105	Discharge Elbow
161	Discharge Pipe
204	Adjusting Lock Nut
207	Grease Fitting
212	Cap Screw
213	Cap Screw
218	Cap Screw
219	Cap Screw
221	Cap Screw
228	Motor
239	Stud (Not Shown)
* 241	Gasket
242	Grease Fitting
243	Grease Fitting
246	Stud (Not Shown)
247	Hex Nut (Not Shown)
249	Hex Nut (Not Shown)
252	Throttle Bushing
258	Hex Nut
260	Cap Screw
261	Hex Nut
265	Cap Screw
267	Cap Screw
268	Cap Screw
270	Impeller Washer
286	Jackscrow
294	Pipe Nut
295	Dishcharge Flange
332	Cap Screw (Not Shown)
333	Lube Pipe Assembly
* 336	Gasket
337	Street Elbow



\* Recommended spare parts



**WARNING:**  
 CANCER AND REPRODUCTIVE HARM -  
 WWW.P65WARNINGS.CA.GOV

**Repair Parts**

Liquid End Parts											
Item 1 - Casing						Item 2 - Impeller					
Pump Size	Cast Iron		316 SS	Alloy 20	Dwg. No.	Shaft Taper	Cast Iron		316 SS	Alloy 20	Dwg. No.
	Part No.	Dwg. No.	Part No.	Part No.			Part No.	Dwg. No.	Part No.	Part No.	
1	0070076	33184	0070093	0070101	32512	7/8"	0009997	25060	0010651	0010660	24877
1½	0070078	41167	0070094	0070102	41303	7/8"	0010690	25063	0010758	0010772	24864
2½	0070084	41152	NA	NA	-	7/8"	0010812	25055	NA	NA	-
1 S	NA	-	0034110	0034119	4841	1"	NA	-	0010934	0010942	25025
1¼ S	0070077	4784	NA	NA	-	1"	0010951	24587	NA	NA	-
1½ S	0070079	4782	0070095	0097877	4861	1"	0011010	24737	0035283	0035285	24737
1½ M	0070080	4805	0070096	0097878	4862	1"	0011085	32189	0035403	0046380	32189
1½ L	0070081	5130	0070097	0097891	5141	1¼"	0011384	32234	0015158	0015166	32234
2 S	0070082	4711	0034111	0034120	4796	1"	0011117	110-213	0011170	0011182	24789
2 M	0070083	5125	0034112	0034121	4846	1"	0011250	32144	0011308	0011321	32304
3 S	0070085	5137	NA	NA	-	1"	0011451	25054	NA	NA	-
3 MD	0070086	41405	0034113	0034122	41440	1¼"	0030781	26258	0058764	0058765	118-882
4 S	0070087	41121	0070098	0070103	41162	1"	0014994	26102	0029574	0029572	26545
4 MD	0070088	41406	0034114	0034123	41441	1¼"	0011772	32400	0011804	0011820	32424
5 MSD	0070089	41407	0034115	0034124	41442	1¼"	0011772	32400	0011804	0011820	32424
5 MD	0070089	41407	0034115	0034124	41442	1¼"	0011914	32222	0011942	0011952	32238
6 MD	0070090	41408	0070099	0091468	41408	1¼"	0012032	32639	0039856	0046374	32639
6 MLD	0070090	41408	0070099	0091468	41408	1¼"	0094860	42057	0095532	0095534	42057
4 x 4 x 12	0087380	41571	0087382	0087383	41571	1½"	0081086	27894	0081090	0081092	27894
6 x 4 x 12	0087384	41460	NA	NA	-	1½"	0052155	27158	NA	NA	-
6 x 6 x 12	0087386	41462	0087388	0087389	41462	1½"	0052842	27176	0077102	0077104	27176
8 x 6 x 12	0087390	41464	0087392	0087393	41464	1½"	0054399	33642	0077110	0077112	33642
8 x 8 x 12	0073095	41339	0087394	0087395	41339	1½"	0045405	33506	0075618	0075599	33506
10 x 10 x 12	0073094	41340	NA	NA	-	1½"	0052147	27170	NA	NA	-
Item 9 - Suction Cover											
Pump Size	Cast Iron		316 SS	Alloy 20	Dwg. No.	Pump Size	Cast Iron		316 SS	Alloy 20	Dwg. No.
	Part No.	Dwg. No.	Part No.	Part No.			Part No.	Dwg. No.	Part No.	Part No.	
1	0030076	24804	0010637	0010639	24878	2 M	0030083	32146	0011301	0011303	32303
1½	0030077	24891	0010750	0010752	24801	3 S	0030084	32300	NA	NA	-
2½	0030078	25056	NA	NA	-	3 MD	0030085	32131	0011570	0011572	32211
1 S	NA	-	0010925	0010927	25026	4 S	0030086	33038	0029375	0029373	33175
1¼ S	0030079	24586	NA	NA	-	4 MD	0030087	32161	0011718	0011720	32246
1½ S	0030080	24738	0041947	0076102	25113	5 MSD	0030088	32221	0011938	0011940	32257
1½ M	0030081	32188	0046309	0058576	32337	5 MD	0030088	32221	0011938	0011940	32257
1½ L	0030090	32235	0015214	0015216	32423	6 MD	0030089	32638	0036652	0058582	32638
2 S	0030082	24297	0011166	0011168	24796	6 MLD	0030089	32638	0036652	0058582	32638

NA - Not Available

NOTE: (1) Includes pipe plugs (where used) cap screws on size 1" thru 6 MLD  
(2) Suction Cover is cast integral with the casing on sizes 4x4x12 thru 10x10x12

\* Recommended spare parts



Item 19 - Frame & Parts						
Item No.	Description	Material	5462H & 5562H		5564	
			Part No.	Dwg. No.	Part No.	Dwg. No.
* 16	Ball Bearing - Inboard	-	0005262	-	0005263	-
* 18	Ball Bearing - Outboard	-	0005276	-	0005306	-
19	Frame (1)	C.I.	0097310	41486	0097309	41485
22	Bearing Lock Nut	Steel	0003222	-	0006033	-
24	Impeller Nut 3/8" Taper	316 SS Alloy 20	0065010 0016262	1/2" 1/2"	- -	- -
	1" & 1 1/4" Taper	316 SS Alloy 20	0065011 0016258	5/8" 5/8"	- -	- -
* 26	Impeller Screw	316 SS	-	-	0080387	3/4"
		Alloy 20	-	-	0080391	3/4"
32	Impeller Key 3/8" Taper	316 SS	0065013	-	-	-
		Alloy 20	0012456	-	-	-
	1" Taper	316 SS	0030942	-	-	-
		Alloy 20	0012463	-	-	-
1 1/4" Taper	316 SS	0065014	-	-	-	
	Alloy 20	0012557	-	-	-	
Straight	316 SS	-	-	0077125	-	
	Alloy 20	-	-	0077126	-	
33	Bearing Housing - Outboard	C.I.	0087684	27768	0078469	27766
35	Bearing Cover - Inboard	C.I.	0073273	119-326	0073311	119-320
37	Bearing Cover - Outboard	C.I.	0078693	27767	0078471	27765
46	Coupling Key	Steel	0002212	114-932	0002217	114-932
* 47	Lip Seal - For Item 35	-	0073276	-	0073260	-
* 49	Lip Seal - For Item 37	-	0073261	-	0060300	-
51	Grease Retainer	C.I.	0107492	118-393	0073893	27630
		316 SS	-	-	0077283	27630
		Alloy 20	-	-	0077285	27630
69	Lock Washer	Steel	0002862	-	0007147	-
89	Lip Seal - For Item 51	-	0073276	-	0073260	-
204	Adjusting Lock Nut (3 Req'd)	Steel	0001168	-	0001168	-
207	Grease Fitting	Steel	0003131	-	0003131	-
213	Cap Screw (3 Req'd)	Steel	0000408	-	0000408	-
221	Cap Screw (4 Req'd)	Steel	0000453	-	0000453	-
242	Grease Fitting	Steel	0003131	-	0003131	-
243	Grease Fitting	Steel	0002640	-	0003131	-
258	Hex Nut - For Item 221	Steel	0002638	-	0002638	-
* 269	Cotter Pin 3/8" Taper	316 SS	0065016	-	-	-
		Alloy 20	0016313	-	-	-
	1" & 1 1/4" Taper	316 SS Alloy 20	0065017 0016315	- -	- -	- -
* 270	Impeller Washer 3/8" Taper	316 SS	0065019	18098	-	-
		Alloy 20	0012469	18098	-	-
	1" Taper	316 SS	0065020	18098	-	-
		Alloy 20	0012476	18098	-	-
	1 1/4" Taper	316 SS	0065021	18098	-	-
Alloy 20		0012558	18098	-	-	
Straight Bore	316 SS	-	-	0080308	119-077	
	Alloy 20	-	-	0080309	119-077	
286	Jackscrew (3 Req'd)	Steel	0089606	-	0089606	-
332	Cap Screw - Item 33 to 37 (2 Req'd)	Steel	0000397	-	0000397	-
337	Street Elbow	Steel	0002413	-	-	-

\* Recommended spare parts

**Repair Parts**

Item 6 - Shaft with Trim - Items 24, 32, 269 & 270					
Item No.	Description	Fig. 5462H & 5562H			Fig. 5564
		Part No.	Part No.	Part No.	Part No.
6	Shaft Dia. between bearings	2"	2"	2"	2½"
	Impeller Taper	¾"	1"	1¼"	Straight
	1045 Steel (St'd.)				
	** 3" Extension	0109470	0109472	0109474	-
	6" Extension	0109461	0109464	0109467	-
	9" Extension	0105028	0105031	0105034	0105037
	12" Extension	0105029	0105032	0105035	0105038
	15" Extension	0105030	0105033	0105036	0105039
	316 SS				
	** 3" Extension	0109471	0109473	0109475	-
	6" Extension	0109462	0109465	0109468	-
	9" Extension	0089368	0089371	0089374	0089377
	12" Extension	0089369	0089372	0089375	0089378
	15" Extension	0089370	0089373	0089376	0089379
	Alloy 20				
	** 3" Extension	-	-	-	-
	6" Extension	0109463	0109466	0109469	-
9" Extension	0100401	0104004	0104007	0097923	
12" Extension	0100402	0104005	0104008	0097924	
15" Extension	0104003	0104006	0104009	0097925	
Shaft Dwg.		34613	34614	34615	34616
** Shaft Dwg.		35702	35703	35704	-

\*\* Fig 5462

Column Pipe					
Item No.	Description	Material	Fig. 5462 & 5562	Fig. 5564	
			Part No.	Part No.	
101	Column Pipe	3" Extension	C.I.	0073230	-
		6" Extension	Steel	0109476	-
			316 SS	-	-
			Alloy 20	-	-
		9" Extension	C.I.	0107493	0073905
			316 SS	0107495	0077136
			Alloy 20	0107699	0077138
		12" Extension	C.I.	0107497	0078533
			316 SS	0107499	0078535
			Alloy 20	0107704	0078537
		+ 15" Extension	C.I.	0073899	0073903
C.I.	0077257		-		
316 SS	0077140		0077132		
316 SS	0077128		-		
Alloy 20	0077142		0077134		
	+ Fig. 5462H & 5562H requires 1 each of parts shown plus cap screws shown below	Alloy 20	0077130	-	
260	Cap Screw	(4 Req'd)	Steel	0000431	0000431
			316 SS	0077255	0077255
			Alloy 20	0077256	0077256
		+ Cap Screw - for 15" Extension	Steel	0066455	-
		(4 Req'd)	316 SS	0077255	-
		Alloy 20	0077256	-	

\* Recommended spare parts

### Repair Parts

Miscellaneous Casing Hardware					
Item No.	Name of Part	Pump Sizes	All Iron	316 SS	Alloy 20
			Part No.	Part No.	Part No.
* 73	Casing Gasket	1, 1½ 1 S 1¼ S, 1½ S, 2 S, 3 S, 4 S 1½ M, 2 M, 3 MD, 4 MD, 5 MSD, 5 MD, 6 MD, 6 MLD 1½ L 2½	0004466 - 0004476 0004474 0004470 0004468	0010641 0010929 0010929 0011307 0024964 -	0010641 0010929 0010929 0011307 0024964 -
* 241	Casing Gasket	4x4x12 thru 10x10x12	0080388	0080388	0080388
212	Cap Screw	1" thru 6 MLD 4x4x12 thru 10x10x12	0000434 0000437	- -	- -
215	Cap Screw	1" thru 4 MLD 5 MSD, 5 MD, 6 MD, 6 MLD	0000431 0000432	- -	- -
** 239	Stud	1" thru 6 MLD 4x4x12 thru 10x10x12	- -	0014622 0029651	0029577 0029569
** 246	Stud	1" thru 3 MD 4 S thru 6 MLD	- -	0012712 0014589	0029638 0029578
247	Hex Nut for Item 246		-	0006018	0006019
249	Hex Nut for Item 239		-	0006018	0006019

\*\* Studs used in place of items 212 & 215

Throttle Bearing Assembly						
Item No.	Name of Part	Fig. No.	5462H & 5562H		5564	
		Material	Part No.	Dwg. No.	Part No.	Dwg. No.
40	Deflector only	Teflon C.I. 316 SS Alloy 20	0107992 - - -	121-854 - - -	- 0073253 0077335 0077337	- 119-322 119-322 119-322
99	Bearing Housing	C.I. 316 SS Alloy 20	0073887 0077315 0077317	27626 27626 27626	0079031 0079033 0079035	34089 34089 34089
211	Set Screw for Item 40	Steel 316 SS Alloy 20	- - -	- - -	0001463 0077303 0077304	- - -
218	Cap Screw for Item 252	Steel 316 SS Alloy 20	0000342 0077309 0077310	- - -	0000342 0077309 0077310	- - -
* 252	Throttle Bushing	Teflon	0073789	27636	0073790	27636
Motor Pedestal Model 5460						
Item		81	219	261	333	
		Pedestal		Cap Screw	Hex Nut	Cap Screw
Motor Frame Sizes		Part No.	Dwg. No.	Part No.	Part No.	Part No.
56C, 143TC-145TC		0027343	32694	0000397	0001179	0000439
182TC thru 256TC		0020129	32695	0000431	0001179	0000439
284TC thru 286TC		0018902	4976	0000431	0001179	0000439
324TC thru 326TC		0014769	41011	0000459	0002638	0000457
Motor Pedestal Model 5560						
Item		81	219	261	333	
		Pedestal		Cap Screw	Hex Nut	Cap Screw
Motor Frame Sizes		Part No.	Dwg. No.	Part No.	Part No.	Part No.
56C, 143TC-145TC		0077357	34036	0000397	0001179	0000439
182TC thru 256TC		0077361	34034	0000431	0001179	0000439
284TC thru 286TC		0077359	34035	0000431	0001179	0000439
324TC thru 405TSC		0097311	34037	0000459	0002638	0000457
+ 324TC thru 326TC		0097311	34037	0000459	0002638	0000457
Item 336						
3" = 0007200		4" = 0007201		5" = 0007202		6" = 0007203

\* Recommended spare parts