

Model 45HB-70HB

MULTI-STAGE CENTRIFUGAL BOOSTER PUMP



GENERAL INFORMATION

Models 45HB and 70HB are multi-stage, high-pressure, general-purpose centrifugal booster pumps, using enclosed impellers. Applicable for clear, non-hazardous liquids in general industrial services up to 180°F (82°C). Particularly suited for high-pressure booster services.

All models are close-coupled to electric motors containing prelubricated bearings designed for continuous service. Threaded shaft extension is protected by a stainless steel sleeve/coupling combination.

All models are equipped with single, unbalanced mechanical shaft seals.

Units are shipped completely assembled and ready for installation.

⚠ WARNING This product can expose you to chemicals including Lead, which is known to the State of California to cause cancer and birth defects or other reproductive harm. For more information go to: www.P65Warnings.ca.gov.

IMPORTANT

1. Inspect unit for shipping damage.
2. Read all instructions carefully.
3. ALWAYS disconnect all electrical power when handling pump, motor, or controls.
4. Do not run unit dry or against a closed discharge. This will result in damage to mechanical seal and pump.
5. Never pump hazardous liquids or solvents.
6. Maximum liquid temperature: 180°F (82°C).
7. Maximum inlet pressure: 100 PSI.

INSTALLATION

Location: Locate pump as near the liquid source as practical. Allow adequate room for servicing and ventilation. Protect the unit from cold weather freezing and water damage due to rain or flooding. Pump may be mounted horizontal; or vertical with motor on top provided a drip-shield is used for motor protection.

Foundation: Foundation surface must be flat so there is no distortion and/or strain developed when tightening the foundation bolts. **CAUTION:** Bolting and/or piping must not put strain on liquid end. The pumps are quiet and smooth running, but rubber mounting is recommended on foundations susceptible to sound effect.

Alignment: No filed alignment is necessary as pumps are close-coupled.

Piping: Suction pipe must be at least equal in size to suction connection of pump and provide positive suction head (intake pressure) to the pump. Avoid using the pump for applications requiring suction lift. Never use a gate valve in the suction line to throttle the pump. **CAUTION:** Piping must not put strain on the liquid end.

Wiring: Electrical power supply must be a separate branch circuit equipped with proper starters, fuses or circuit breakers, wire size, etc., conforming to National Electrical Code plus local codes. Power supply voltage, phase and controls must match motor nameplate requirements. Low voltage and phase-loss (3 phase) protection is recommended.

Motors: Single-phase 3 HP motors are dual voltage 115/230 volts, 60 Hz, A.C. Single-phase 5 HP motors are 230 volts, 60 Hz, A.C. All other motors are three-phase, dual voltage 230/460 volts, 60 Hz, A.C. The higher voltages are recommended where available.

Rotation: Three-phase rotation must be checked at installation by momentarily energizing the completely filled pump and observing the rotation. Rotation is clockwise looking into the motor shaft, end-bell side (remove protective cap to observe shaft). Rotation must correspond to rotation arrow. Rotation of three-phase units can be reversed by interchanging any two (2) electrical power leads. **CAUTION:** Do Not run in reverse rotation or damage will result.

OPERATION

Fill suction line and pump with liquid to be pumped to insure mechanical seal will not run dry. With pump and suction line completely filled, and motor properly wired, the unit may be started. Be sure pump is not started against a closed valve in the discharge line.

MAINTENANCE

1. Lubrication

Pumps should require no maintenance other than the motor bearings: In hot or severe service, lubricate every 3 months. Follow motor manufacturer's instructions to determine lubrication schedule. Lubricate with power off and motor warm. Remove upper and lower plugs at both bearing. Free lower relief hole of hard grease. Install clean grease-fitting on upper hole and add grease with a low-pressure grease gun. Run motor 30 minutes. Stop motor and remove drained grease. Replace all plugs. **CAUTION:** Do Not over-grease.

DISASSEMBLY

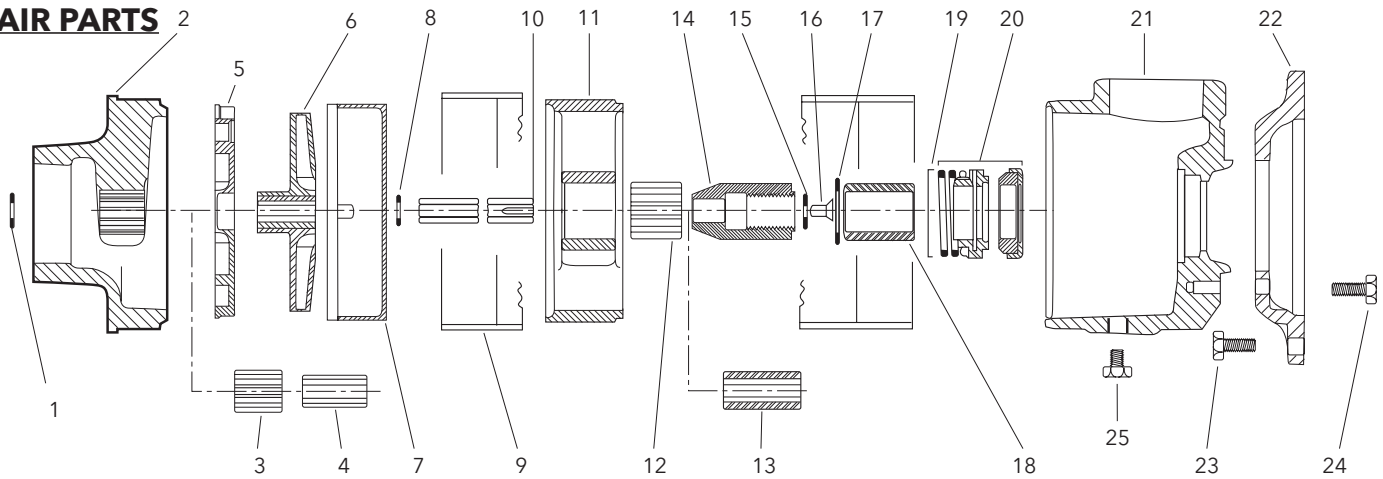
1. Turn off all electrical power.
2. Drain system.
3. Disconnect piping.
4. Remove bolts holding motor to foundation.
5. Remove shaft snap ring (1) within discharge head (2).
6. Use a torch on both ends of casing to break-down thread sealant at casing threads.

7. Use wrenches on suction housing (21) and discharge head (2) to unscrew (counter-clockwise) discharge head and casing. Casing is threaded inside each end and sealed with thread sealant. The casing may come off with the discharge head or stay on the suction housing. If the casing remains on the suction housing it may be removed with a strap wrench. **CAUTION:** Do Not use a pipe wrench on the casing or damage will result. The unbroken thread sealant may be removed by applying heat with a torch.
8. Remove shaft sleeve (4) from shaft.
9. Stages, each consisting of a bowl, impeller, and diffuser, can now be removed.
10. Remove motor end-plug to expose slot in end of motor shaft.
11. Heat shaft sleeve/coupling with a torch by directing a flame through hole in suction housing (21). This will break down Loctite® thread locking compound to allow removal of the sleeve/coupling. **NOTE:** Thread is right-hand. Turn counter-clockwise to loosen.
12. Remove shaft assembly, including rotating portion of mechanical seal, by holding motor shaft with a screw-driver in motor shaft slot while turning pump shaft assembly counter-clockwise with a ½" wrench. **NOTE:** Due to the applied heat, the mechanical seal must be discarded and replaced with a new mechanical seal.
13. Remove bolts holding adapter to motor.
14. Remove suction housing/adapter combination from motor.
15. Place suction housing/adapter on a flat surface and push out stationary portion of mechanical seal.
4. With motor in vertical position, remount suction housing/adapter on motor. Make certain the motor shaft does not dislocate the new mechanical seal stationary seat.
5. Apply a thin coat of light oil or soapy water to outer surface of sleeve/coupling and inside diameter of rubber portion of the new rotating seal member.
6. Slide spring retainer, spring and rotating member of the new mechanical seal over the sleeve/coupling, making certain the seal face stays in the holding collar, and spring retainer is squarely seated against shoulder of sleeve/coupling. **CAUTION:** Take care to prevent damage or dirt on lapped faces of the new mechanical seal.
7. Coat motor shaft threads with Loctite® 271.
8. Thread the shaft sleeve/coupling, with rotating portion of mechanical seal in place, onto the threaded motor shaft until the sleeve/coupling bottoms on the motor shaft shoulder. Use screwdriver in motor shaft slot to hold while tightening the shaft assembly with a ½" wrench.
9. Use a straight edge across face of suction housing to check location of outboard end of shaft sleeve/coupling. Due to variations in motor shaft lengths and pump parts, it will be from 0.080" short (below the straight edge) to flush.
10. If sleeve/coupling is below the straight edge, add 0.010" shims until top face of shims are one (1) shim higher than straight edge (interferes with straight edge).
11. Reassemble stages on shaft, checking impeller hub height after each stage. Hub must be flush with straight edge or higher. Add 0.010" shims as necessary.
- 11a. On 10 HP models install bearing spider at half way point in the stack, use shaft sleeve (13) and shim accordingly.
12. Install shaft sleeve (4) on shaft.
13. Apply thread sealant (Loctite® HVV Pipe Sealant) to suction housing (21) threads plus discharge head (2) threads and reassemble casing to pump. (Tighten to 50 foot pounds torque.) **CAUTION:** Do Not apply sealant to casing threads.
14. Turn pump by hand with a ½" socket over the end of the pump shaft inside the discharge head (2). Turn counter-clockwise. Unit should turn with resistance of only the mechanical shaft seal.
- 14a. Replace snap ring (1) on shaft.
15. Replace motor end plug.
16. Do not start unit until suction line and pump are completely filled with water. Refer to OPERATION Section.

REASSEMBLY

1. Clean all parts, especially pump and motor register fits, seal seat counter bore in suction housing, and shaft (in particular where shaft sleeve/coupling fits against shaft shoulder).
2. Clean shaft sleeve/coupling threads and motor shaft threads. Clean old Loctite from threads with a wire brush. Apply Locquic Primer T®, (Loctite® Product No. 74756 available in Automotive Parts and Hardware stores) and allow to dry.
3. Lubricate counterbore of suction housing (21) and rubber bushing of new stationary seal seat with light oil or soapy water and press into counterbore squarely and evenly. **CAUTION:** Do Not mar or contaminate the lapped face of the new mechanical seal seat.

REPAIR PARTS



Item No.	Part Name	Pattern No.
1	Retaining ring	
2	Discharge head assembly - 2" NPT	57209
3	Marine bearing - Discharge head	
4	Sleeve - Discharge head	
5	Diffuser	
6	Impeller	
7	Bowl	
8	Shim	
9	Casing	
10*	Shaft/coupling assembly	
11	Intermediate stage assembly	57203
12	Marine bearing - Intermediate stage	
13	Sleeve - Intermediate stage	
14	Coupling	

Part No.	Part Name	Pattern No.
15	Washer (coupling screw)	
16	Mechanical screw	
17	Retaining ring	
18	Shaft sleeve	
19	Spring retainer	
20	Mechanical seal assembly	
21	Suction housing - 2" NPT	59098
22	Motor adapter (210 frame)	59153
	Motor adapter (140-180 frame)	59099
23	Hex cap screw - adapter to motor	
24	Hex cap screw - adapter to suction housing	
25	Pipe Plug - 1/4 NPT	

* Note: Shaft assembly includes screw (16) and washer (15).

COMMERCIAL WARRANTY

For goods sold to commercial buyers, Seller warrants the goods sold to Buyer hereunder (with the exception of membranes, seals, gaskets, elastomer materials, coatings and other "wear parts" or consumables all of which are not warranted except as otherwise provided in the quotation or sales form) will be (i) be built in accordance with the specifications referred to in the quotation or sales form, if such specifications are expressly made a part of this Agreement, and (ii) free from defects in material and workmanship for a period of one (1) year from the date of installation or twelve (12) months from the date of shipment (which date of shipment shall not be greater than eighteen (18) months after receipt of notice that the goods are ready to ship), whichever shall occur first, unless a longer period is specified in the product documentation (the "Warranty").

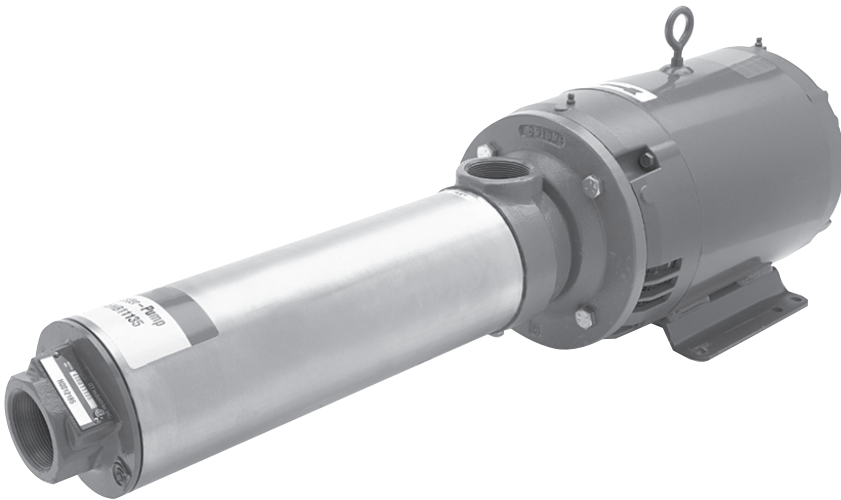
Except as otherwise required by law, Seller shall, at its option and at no cost to Buyer, either repair or replace any product which fails to conform with the Warranty provided Buyer gives written notice to Seller of any defects in material or workmanship within ten (10) days of the date when any defects or non-conformance are first manifest. Under either repair or replacement option, Seller shall not be obligated to remove or pay for the removal of the defective product or install or pay for the installation of the replaced or repaired product and Buyer shall be responsible for all other costs, including, but not limited to, service costs, shipping fees and expenses. Seller shall have sole discretion as to the method or means of repair or replacement. Buyer's failure to comply with Seller's repair or replacement directions shall terminate Seller's obligations under this Warranty and render the Warranty void. Any parts repaired or replaced under the Warranty are warranted only for the balance of the warranty period on the parts that were repaired or replaced. Seller shall have no warranty obligations to Buyer with respect to any product or parts of a product that have been: (a) repaired by third parties other than Seller or without Seller's written approval; (b) subject to misuse, misapplication, neglect, alteration, accident, or physical damage; (c) used in a manner contrary to Seller's instructions for installation, operation and maintenance; (d) damaged from ordinary wear and tear, corrosion, or chemical attack; (e) damaged due to abnormal conditions, vibration, failure to properly prime, or operation without flow; (f) damaged due to a defective power supply or improper electrical protection; or (g) damaged resulting from the use of accessory equipment not sold or approved by Seller. In any case of products not manufactured by Seller, there is no warranty from Seller; however, Seller will extend to Buyer any warranty received from Seller's supplier of such products.

THE FOREGOING WARRANTY IS EXCLUSIVE AND IN LIEU OF ANY AND ALL OTHER EXPRESS OR IMPLIED WARRANTIES, GUARANTEES, CONDITIONS OR TERMS OF WHATEVER NATURE RELATING TO THE GOODS PROVIDED HEREUNDER, INCLUDING WITHOUT LIMITATION ANY IMPLIED WARRANTIES OF MERCHANTABILITY AND FITNESS FOR A PARTICULAR PURPOSE, WHICH ARE HEREBY EXPRESSLY DISCLAIMED AND EXCLUDED. EXCEPT AS OTHERWISE REQUIRED BY LAW, BUYER'S EXCLUSIVE REMEDY AND SELLER'S AGGREGATE LIABILITY FOR BREACH OF ANY OF THE FOREGOING WARRANTIES ARE LIMITED TO REPAIRING OR REPLACING THE PRODUCT AND SHALL IN ALL CASES BE LIMITED TO THE AMOUNT PAID BY THE BUYER FOR THE DEFECTIVE PRODUCT. IN NO EVENT SHALL SELLER BE LIABLE FOR ANY OTHER FORM OF DAMAGES, WHETHER DIRECT, INDIRECT, LIQUIDATED, INCIDENTAL, CONSEQUENTIAL, PUNITIVE, EXEMPLARY OR SPECIAL DAMAGES, INCLUDING BUT NOT LIMITED TO LOSS OF PROFIT, LOSS OF ANTICIPATED SAVINGS OR REVENUE, LOSS OF INCOME, LOSS OF BUSINESS, LOSS OF PRODUCTION, LOSS OF OPPORTUNITY OR LOSS OF REPUTATION.

xylem
Let's Solve Water

Xylem Inc.
2881 East Bayard Street Ext., Suite A, Seneca Falls, NY 13148
Phone: (800) 453-6777 • Fax: (888) 322-5877
www.xylem.com/goulds

Goulds is a registered trademark of Goulds Pumps, Inc. and is used under license.
© 2019 Xylem Inc. IM023 Rev. 5 February 2019



Modelo 45HB-70HB

BOMBA REFORZADORA CENTRÍFUGA DE ETAPAS MÚLTIPLES



INFORMACIÓN GENERAL

Los modelos 45HB y 70HB son bombas reforzadoras centrífugas de uso general, de alta presión y de etapas múltiples que utilizan impulsores cerrados. Se utilizan en aplicaciones de líquidos transparentes no peligrosos en servicios industriales generales de hasta 180°F (82°C). Especialmente convenientes para servicios de refuerzo de alta presión.

Todos los modelos son de acoplamiento cerrado a motores eléctricos que contienen cojinetes prelubricados diseñados para un servicio continuo.

La extensión de eje roscado está protegida con una combinación de camisa / acoplamiento de acero inoxidable.

Todos los modelos están equipados con sellos para eje mecánicos desbalanceados individuales.

Las unidades son enviadas completamente armadas y listas para la instalación.

⚠ WARNING Este puede exponerlo a químicos, incluido el plomo, reconocidos por el estado de California por provocar cáncer y defectos del nacimiento u otros daños reproductivos. Para obtener más información, acceda a: www.P65Warnings.ca.gov.

IMPORTANTE

1. Inspeccione la unidad para determinar si resultó dañada durante el envío.
2. Lea cuidadosamente todas las instrucciones.
3. SIEMPRE desconecte todo el suministro eléctrico cuando maneje la bomba, el motor o los controles.
4. No haga funcionar la unidad en seco o contra una descarga cerrada. Esto producirá daños al sello mecánico y a la bomba.
5. Nunca bombee solventes o líquidos peligrosos.
6. Temperatura máxima del líquido: 180°F (82°C).
7. Presión máxima de entrada: 100 lbs./pulg. cuadrada

INSTALACIÓN

Ubicación: Sitúe la bomba lo más cerca posible a la fuente de líquido. Deje un espacio adecuado para el mantenimiento y la ventilación. Proteja la unidad contra los daños causados por la congelación en tiempo frío y el agua de lluvia o inundación. La bomba puede montarse horizontal o vertical con el motor sobre el extremo superior, siempre que se utilice una pantalla contra goteos para proteger el motor.

Cimiento: La superficie del cimiento debe ser plana, de manera que no se produzca deformación o esfuerzo al apretar los pernos de cimentación. **PRECAUCIÓN:** Ni el empernado ni las tuberías deben aplicar esfuerzo sobre el extremo del líquido. Las bombas son de funcionamiento silencioso y suave, pero se recomienda instalar una montura de caucho sobre los cimientos susceptibles a los efectos sonoros.

Alineación: El alineamiento fino no es necesario ya que las bombas son de acoplamiento cerrado.

Tuberías: La tubería de succión debe ser al menos del mismo tamaño que la conexión de succión de la bomba y proveer carga de succión positiva (presión de entrada) a la bomba. Evite usar la bomba para aplicaciones que requieran elevación de succión. Nunca use una válvula de compuerta en la tubería de succión para estrangular la bomba. **PRECAUCIÓN:** La tubería no debe aplicar esfuerzo sobre

el extremo de líquido.

Cableado: La fuente de energía eléctrica debe ser un circuito derivado separado equipado con los arrancadores, fusibles o cortacircuitos apropiados, alambre de tamaño adecuado, etc. y debe cumplir con los códigos eléctricos nacionales y locales. La tensión, la fase y los controles de la fuente de alimentación deben coincidir con los requerimientos indicados en la placa de identificación del motor. Se recomienda incluir protección contra la baja tensión y las pérdidas de fase (tres fases).

Motores: Los motores monofásicos de 3 HP son de doble tensión - 115/230 voltios, 60 Hz, de C.A. Los motores monofásicos de 5 HP son de 230 voltios, 60 Hz, de C.A. Todos los demás motores son trifásicos, de doble tensión - 230/460 voltios, 60 Hz, de C.A. Se recomiendan las tensiones más altas cuando estén disponibles.

Rotación: La rotación trifásica debe ser verificada en el momento de la instalación energizando momentáneamente la bomba completamente llena y observando la rotación. La rotación es en sentido horario cuando se observa hacia el eje del motor, lado de la campana del extremo (retire la tapa protectora para observar el eje). La rotación debe corresponder con la flecha de rotación. La rotación de las unidades trifásicas puede invertirse intercambiando dos (2) conductores de alimentación eléctrica cualquiera. **PRECAUCIÓN:** No haga funcionar la unidad en rotación inversa o se producirán daños.

OPERACIÓN

Llene la tubería de succión y la bomba con el líquido que se va a bombear para asegurar que el sello mecánico no funcione en seco. Con la bomba y la tubería de succión completamente llenas, y con el motor conectado correctamente, puede ponerse en marcha la unidad. Asegúrese de que la bomba no sea puesta en marcha contra una válvula cerrada en la tubería de descarga.

MANTENIMIENTO

1. Lubricación

Las bombas no requieren mantenimiento, excepto por los cojinetes del motor: En servicio riguroso o a temperaturas elevadas, lubrique cada 3 meses. Siga las instrucciones del fabricante del motor para determinar el horario de lubricación. Lubrique con el suministro eléctrico apagado y el motor tibio. Retire los tapones superior e inferior en ambos cojinetes. Quite la grasa endurecida del orificio de descarga inferior. Instale una graseira limpia en el orificio superior y agregue grasa con una pistola de engrase de baja presión. Haga funcionar el motor durante 30 minutos. Detenga el motor y quite la grasa drenada. Reinstale todos los tapones. **PRECAUCIÓN:** No engrase en exceso.

DESARMADO

1. Apague todo el suministro eléctrico.
2. Drene el sistema.
3. Desconecte las tuberías.
4. Quite los pernos que sujetan el motor al cimiento.
5. Retire el anillo de resorte del eje (1) dentro del cabezal de descarga (2).
6. Utilice un soplete en ambos extremos de la carcasa para desintegrar el sellador de las roscas de la carcasa.
7. Utilice llaves en la caja de succión (21) y en el cabezal

de descarga (2) para destornillar (en sentido contrahorario) el cabezal de descarga y la carcasa. La carcasa está roscada en el interior de cada extremo y está sellada con sellador de roscas. La carcasa podría desprenderse con el cabezal de descarga o permanecer sobre la caja de succión. Si la carcasa permanece sobre la caja de succión, puede ser retirada con una llave de banda. **PRECAUCIÓN:** No utilice una llave para tubos en la carcasa o se producirán daños. El sellador de roscas restante puede quitarse aplicando calor con un soplete.

8. Retire la camisa del eje (4) del eje.
9. Ahora pueden retirarse las etapas, cada una de las cuales consta de una copa, un impulsor y un difusor.
10. Quite el tapón del extremo del motor para dejar al descubierto la ranura en el extremo del eje del motor.
11. Caliente la camisa / acoplamiento del eje con un soplete dirigiendo la llama a través del agujero en la caja de succión (21). Esto desintegrará el compuesto fijador de roscas Loctite® para permitir retirar la camisa / acoplamiento. Nota: La rosca es de mano derecha. Gire en sentido contrahorario para aflojar.
12. Retire el conjunto del eje, incluso la parte giratoria del sello mecánico, sujetando el eje del motor con un destornillador en la ranura del eje mientras gira el conjunto del eje de la bomba en sentido contrahorario con una llave de ½ pulg. Nota: Debido al calor aplicado, el sello mecánico debe ser desechado y reemplazado con uno nuevo.
13. Quite los pernos que sujetan el adaptador al motor.
14. Retire la combinación de caja de succión / adaptador del motor.
15. Coloque la caja de succión / adaptador sobre una superficie plana y empuje hacia afuera la parte estacionaria del sello mecánico.

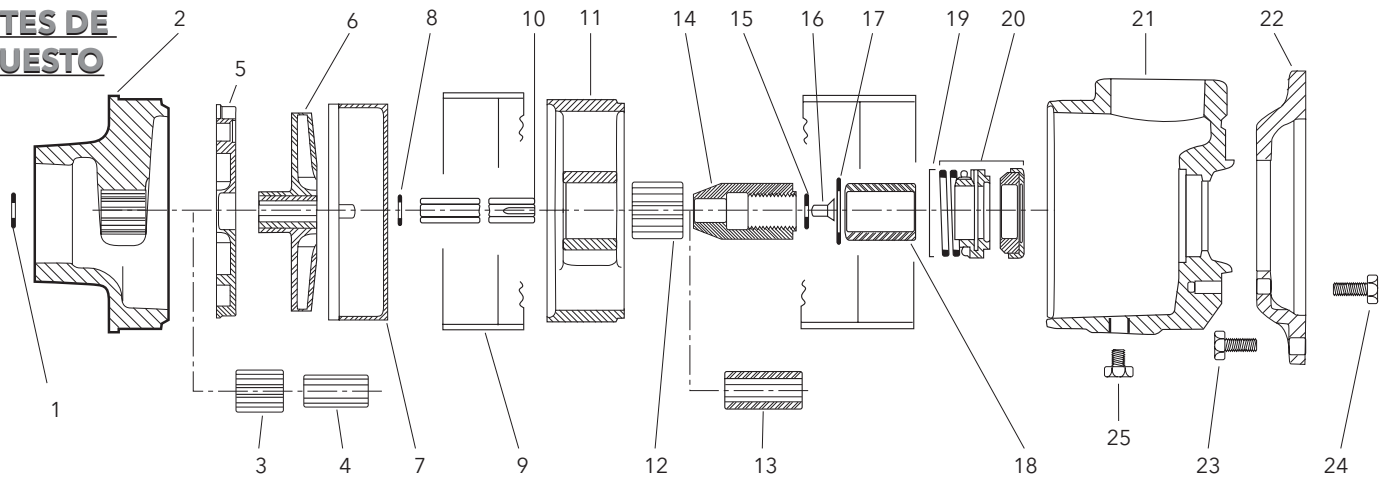
REARMADO

1. Limpie todas las partes, especialmente los encajes de registro del motor, el ensanchamiento del asiento del sello en la caja de succión y el eje (especialmente donde la camisa / acoplamiento del eje calza contra el reborde del eje).
2. Limpie las roscas de la camisa / acoplamiento del eje y las roscas del eje del motor. Limpie el Loctite viejo de las roscas con un cepillo de alambre. Aplique Loctite Primer T®, (Loctite® - Producto N° 74756 - disponible en las tiendas de partes automotrices y ferreterías) y déjelo secar.
3. Lubrique el ensanchamiento de la caja de succión (21) y el buje de caucho del asiento del nuevo sello estacionario con aceite liviano o agua jabonosa y empújelo al interior del ensanchamiento en forma perpendicular y pareja. **PRECAUCIÓN:** No estropee ni contamine la cara pulida del asiento del nuevo sello mecánico.
4. Con el motor en posición vertical, monte nuevamente la caja de succión / adaptador sobre el motor. Asegúrese de que el eje del motor no desplace el asiento estacionario del nuevo sello mecánico.
5. Aplique una capa delgada de aceite liviano o agua

jabonosa a la superficie exterior de la camisa / acoplamiento y al diámetro interior de la parte de caucho del nuevo componente del sello giratorio.

6. Deslice el retén del resorte, el resorte y el componente giratorio del nuevo sello mecánico, asegurándose de que la cara del sello permanezca en el collar de retención y que el retén del resorte esté asentado en forma perpendicular contra el reborde de la camisa / acoplamiento. **PRECAUCIÓN:** Tenga cuidado para evitar dañar o ensuciar las caras pulidas del nuevo sello mecánico.
7. Recubra las roscas del eje del motor con Loctite® 271.
8. Atornille la camisa / acoplamiento del eje, con la parte giratoria del sello mecánico en posición, sobre el eje roscado del motor hasta que la camisa / acoplamiento haga contacto con el reborde del eje del motor. Utilice un destornillador en la ranura del eje del motor para sujetar mientras aprieta el conjunto del eje con una llave de ½ pulg.
9. Utilice un escantillón sobre la cara de la caja de succión para verificar la ubicación del extremo exterior de la camisa / acoplamiento del eje. Debido a las variaciones de las longitudes del eje del motor y las partes de la bomba, estará situado en el intervalo de 0,080 pulg. más corto (debajo del escantillón) hasta a ras.
10. Si la camisa / acoplamiento está debajo del escantillón, agregue planchas de relleno de 0.010 pulgada hasta que la cara superior de las mismas sea una (1) plancha de relleno más alta que el escantillón (interfiere con el escantillón).
11. Rearme las etapas sobre el eje, verificando la altura del cubo del impulsor después de cada etapa. El cubo debe estar a ras con el escantillón o más alto. Agregue planchas de relleno de 0.010 pulgada, según sea necesario.
- 11a. En los modelos de 10 HP, instale un cubo de balero en un punto a medio camino en la pila; utilice la camisa del eje (13) y la plancha de relleno en la forma correspondiente.
12. Instale la camisa del eje (4) sobre el eje.
13. Aplique sellador de roscas (sellador de tubería Loctite® HVV) a las roscas de la caja de succión (21) y a las roscas del cabezal de descarga (2) y reinstale la carcasa en la bomba. (Apriete a una torsión de 50 pie-libras.) **PRECAUCIÓN:** No aplique sellador a las roscas de la carcasa.
14. Gire la bomba a mano con una boquilla de ½ pulg. sobre el extremo del eje de la bomba dentro del cabezal de descarga (2). Gire en sentido contrahorario. La unidad debe girar con resistencia del sello mecánico del eje únicamente.
- 14a. Reinstale el anillo de resorte (1) sobre el eje.
15. Reinstale el tapón del extremo del motor.
16. No arranque la unidad hasta que la tubería de succión y la bomba estén completamente llenas con agua. Consulte la sección de OPERACIÓN.

PARTES DE REPUESTO



Artículo N°	Nombre de la parte	Patrón N°
1	Anillo de retención	
2	Conjunto del cabezal de descarga - NPT de 2 pulg.	57209
3	Cojinete estilo marino - cabezal de descarga	
4	Camisa - cabezal de descarga	
5	Difusor	
6	Impulsor	
7	Copa	
8	Plancha de relleno	
9	Carcasa	
10*	Conjunto del eje / acoplamiento	
11	Conjunto de etapa intermedia	57203
12	Cojinete estilo marino - etapa intermedia	
13	Camisa - etapa intermedia	
14	Acoplamiento	

Artículo N°	Nombre de la parte	Patrón N°
15	Arandela (tornillo del acoplamiento)	
16	Tornillo mecánico	
17	Anillo de retención	
18	Camisa del eje	
19	Retén del resorte	
20	Conjunto del sello mecánico	
21	Caja de succión - NPT de 2 pulg.	59098
22	Adaptador para el motor (bastidor 210) Adaptador para el motor (bastidor 140-180)	59153 59099
23	Tornillo de cabeza hexagonal - del adaptador al motor	
24	Tornillo de cabeza hexagonal - del adaptador a la caja de succión	
25	Tapón de tubería - 1/4 NPT	

* Nota: El conjunto del eje incluye un tornillo (16) y una arandela (15).

GARANTÍA COMERCIAL

Para los productos vendidos a compradores comerciales, el Vendedor garantiza que los productos vendidos al Comprador en virtud del presente (con excepción de membranas, sellos, juntas, materiales de elastómero, revestimientos y otras "partes de desgaste" o consumibles, que no se garantizan, con excepción de lo dispuesto por el contrario en la cotización o formulario de venta) (i) se construirán de acuerdo con las especificaciones referidas en la cotización o formulario de venta, si tales especificaciones se realizan expresamente como parte de este Acuerdo, y (ii) están libres de defectos en material y mano de obra por un período de un (1) año desde la fecha de instalación o doce (12) meses desde la fecha de envío (y tal fecha de envío no deberá ser posterior a dieciocho (18) meses posteriores a la recepción del aviso que los productos están listos para ser enviados), lo que ocurra primero, a menos que se especifique un período mayor en la documentación del producto (la "Garantía").

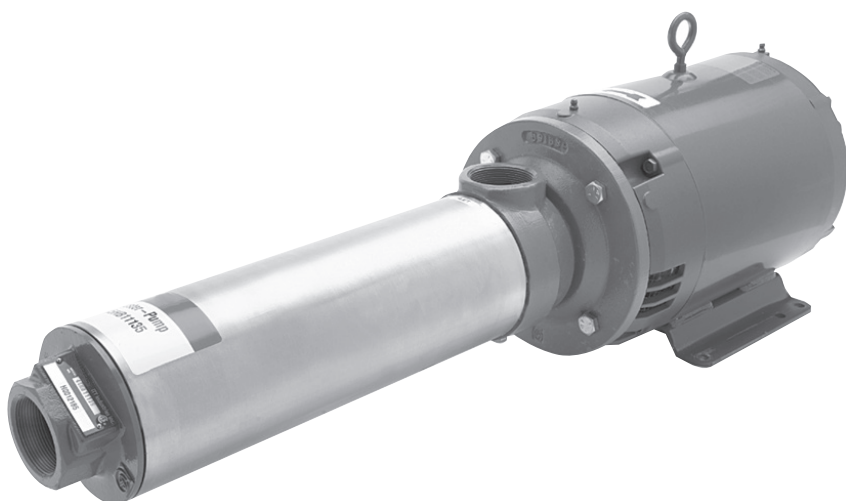
Con excepción de lo requerido por ley, el Vendedor, a su opción y sin costo alguno para el Comprador, reparará o reemplazará el producto que no se ajuste a la Garantía en tanto que el Comprador envíe un aviso escrito al Vendedor sobre todo defecto en material o mano de obra dentro de diez (10) días de la fecha en que aparecen por primera vez los defectos o no conformidades. Según la opción de reparación o reemplazo, el Vendedor no estará obligado a remover o pagar la remoción del producto defectuoso ni instalar o pagar la instalación del producto reemplazado o reparado y el Comprador será responsable de todos los demás costos, que incluyen, entre otros, los costos de servicio, aranceles y gastos de envío. El Vendedor tendrá la exclusiva facultad de decisión con respecto al método o medio de reparación o reemplazo. El incumplimiento del Comprador de las instrucciones de reparación o reemplazo del Vendedor rescindirá las obligaciones del Vendedor en virtud de esta Garantía y anulará esta Garantía. Toda pieza reparada o reemplazada en virtud de la Garantía es garantizada solo por el resto del período de garantía por las piezas reparadas o reemplazadas. El Vendedor no tendrá obligaciones de garantía frente al Comprador con respecto a ningún producto o pieza de un producto que haya sido: (a) reparado por terceros que no sean el Vendedor o sin la aprobación escrita del Vendedor; (b) sujeto a uso incorrecto, aplicación incorrecta, descuido, alteración, accidente o daño físico; (c) usado de forma contraria a las instrucciones del Vendedor para la instalación, operación y mantenimiento; (d) dañado por el uso y desgaste normal, corrosión o ataque químico; (e) dañado debido a condiciones anormales, vibración, falta de cebado correcto o funcionamiento sin flujo; (f) dañado debido a una fuente de alimentación defectuosa o protección eléctrica incorrecta; o (g) dañado debido al uso de equipos accesorios no vendidos o aprobados por el Vendedor. En el caso de productos no fabricados por el Vendedor, no hay garantía del Vendedor; sin embargo, el Vendedor extenderá al Comprador toda garantía recibida del proveedor del Vendedor de tales productos.

LA GARANTÍA ANTERIOR ES EXCLUSIVA Y REEMPLAZA TODA OTRA GARANTÍA, CONDICIÓN O TÉRMINO EXPRESO O IMPLÍCITO DE CUALQUIER NATURALEZA RELACIONADO CON LOS PRODUCTOS PROVISTOS EN VIRTUD DEL PRESENTE, INCLUYENDO, SIN CARÁCTER LIMITATIVO, LAS GARANTÍAS IMPLÍCITAS DE COMERCIABILIDAD E IDONEIDAD PARA UN PROPÓSITO EN PARTICULAR, QUE POR EL PRESENTE SE RECHAZAN Y EXCLUYEN EXPRESAMENTE. CON EXCEPCIÓN DE LO DISPUESTO POR LA LEY EN CONTRARIO, EL EXCLUSIVO REMEDIO DEL COMPRADOR Y LA RESPONSABILIDAD TOTAL DEL VENDEDOR POR EL INCUMPLIMIENTO DE ALGUNA DE LAS GARANTÍAS ANTERIORES SE LIMITA A REPARAR O REEMPLAZAR EL PRODUCTO Y EN TODO CASO SE LIMITARÁ AL IMPORTE PAGADO POR EL COMPRADOR POR EL PRODUCTO DEFECTUOSO. EN NINGÚN CASO EL VENDEDOR SERÁ RESPONSABLE POR OTRA FORMA DE DAÑOS, YA SEA DIRECTOS, INDIRECTOS, LIQUIDADOS, INCIDENTALS, RESULTANTES, PUNITIVOS, EJEMPLARES O ESPECIALES, INCLUYENDO, ENTRE OTROS, LA PÉRDIDA DE GANANCIAS, LA PÉRDIDA DE AHORROS ANTICIPADOS O GANANCIAS, LA PÉRDIDA DE INGRESOS, LA PÉRDIDA DEL NEGOCIO, LA PÉRDIDA DE PRODUCCIÓN, LA PÉRDIDA DE OPORTUNIDAD O LA PÉRDIDA DE REPUTACIÓN.

xylem
Let's Solve Water

Xylem Inc.
2881 East Bayard Street Ext., Suite A, Seneca Falls, NY 13148
Teléfono: (800) 453-6777 • Fax: (888) 322-5877
www.xylem.com/goulds

Goulds es una marca registrada de Goulds Pumps, Inc. y se utiliza bajo licencia.
© 2019 Xylem Inc. IM023 Rev. 5 febrero 2019



Modèles 45HB et 70HB

POMPES DE SURPRESSION CENTRIFUGES MULTI-ÉTAGÉES



INFORMATIONS GÉNÉRALES

Les pompes modèles 45HB et 70HB sont des pompes de surpression centrifuges multi-étagées, à roues fermées, prévues pour un usage général et pour les liquides industriels limpides non dangereux de nature générale dont la température ne dépasse pas 82 °C (180 °F). Elles conviennent particulièrement au pompage à haute pression.

Elles sont toutes montées sur un moteur électrique muni de roulements prélubrifiés pour un service continu. Elles possèdent un arbre-rallonge fileté, protégé par un ensemble accouplement-chemise d'arbre en inox.

Leur arbre est doté d'une garniture mécanique non compensée.

Elles sont expédiées assemblées et prêtes à installer.

⚠ WARNING Ce produit peut vous exposer à des produits chimiques, incluant le plomb, reconnus par l'État de la Californie comme pouvant être cancérigènes, causer des anomalies congénitales ou d'autres problèmes de reproduction. Pour plus d'informations : www.P65Warnings.ca.gov.

INFORMATIONS IMPORTANTES

1. Vérifier si l'appareil a été endommagé pendant le transport.
2. Lire toutes les directives avec soin.
3. On doit TOUJOURS couper le courant lorsque l'on effectue quelque travail que ce soit sur la pompe, le moteur ou les commandes.
4. Ne pas faire fonctionner la pompe à sec ni quand le liquide ne peut circuler dans la conduite de refoulement à cause d'un robinet fermé, car cela endommagerait la garniture mécanique et la pompe.
5. Ne jamais pomper de liquides dangereux ni de solvants.
6. La température maximale du liquide pompé est de 82 °C (180 °F).
7. La pression d'aspiration maximale est de 100 lb/po².

INSTALLATION

Emplacement: placer la pompe aussi près de la source de liquide que possible. Prévoir assez d'espace autour de la pompe pour l'entretien et l'aération. Protéger l'appareil de la pluie, des inondations et du gel. On peut monter la pompe à l'horizontale ou à la verticale, le moteur au-dessus, à condition que celui-ci soit protégé avec un écran pare-gouttes.

Surface portante: la surface portante doit être plane afin d'empêcher que le serrage des boulons d'ancrage ne cause de déformation ni de contraintes. **ATTENTION!** le boulonnage et la tuyauterie ne doivent appliquer aucune contrainte sur la tête de pompage. Les pompes ont un fonctionnement régulier et silencieux, mais on recommande de les monter sur caoutchouc si la surface portante résonne.

Alignement: aucun alignement sur place n'est requis étant donné que les pompes sont montées sur moteur.

Tuyauterie: le calibre du tuyau d'aspiration doit être au moins égal à celui du raccord d'aspiration de la pompe et permettre à la pompe d'avoir une hauteur totale de charge absolue à l'aspiration (pression d'aspiration). Éviter les utilisations nécessitant une hauteur d'aspiration. Ne jamais employer un robinet-vanne sur le tuyau

d'aspiration pour réduire la section de passage vers la pompe. **ATTENTION!** la tuyauterie ne doit appliquer aucune contrainte sur la tête de pompage.

Câblage: l'alimentation électrique doit être assurée par un circuit de dérivation distinct dont les fusibles, les disjoncteurs, les démarreurs, le calibre des fils, etc. sont appropriés et conformes aux prescriptions du code provincial ou national de l'électricité. La tension d'alimentation, le nombre de phases et les commandes doivent être conformes aux spécifications de la plaque signalétique du moteur. Une protection contre les basses tensions électriques et les pertes de phase (en triphasé) est recommandée.

Moteurs: les moteurs sont tous à courant alternatif, 60 Hz. Ceux de 3 hp sont monophasés bitension (115/230 V), ceux de 5 hp, monophasés à simple tension (230 V), et tous les autres, triphasés bitension (230/460 V). Il est recommandé d'employer la tension la plus haute quand cela est possible.

Sens de rotation: s'il s'agit d'une pompe à moteur triphasé, on doit en vérifier le sens de rotation avant de la mettre en service en la remplissant d'abord d'eau, puis en la mettant en marche et en l'arrêtant immédiatement tout en observant le sens de rotation de l'arbre de moteur, visible une fois l'obturateur de l'extrémité d'arbre de moteur ôté. L'arbre doit tourner en sens horaire, comme l'indique la flèche prévue à cet effet. On peut inverser le sens de rotation en intervertissant deux (2) conducteurs d'alimentation du moteur. **ATTENTION!** ne pas faire fonctionner la pompe en sens antihoraire, car cela endommagerait la pompe.

UTILISATION

Remplir la conduite d'aspiration et la pompe avec le liquide à pomper pour s'assurer que la garniture mécanique sera bien lubrifiée. Une fois la conduite et la pompe pleines et le moteur câblé et connecté correctement, on peut mettre la pompe en marche. S'assurer qu'aucun robinet n'empêche la circulation du liquide dans la conduite de refoulement.

ENTRETIEN

Lubrification

L'appareil ne devrait nécessiter aucun entretien, sauf pour les roulements du moteur. En service dur et à haute température, lubrifier les roulements tous les trois (3) mois. Suivre le calendrier de graissage recommandé par le fabricant du moteur. Graisser les roulements quand le moteur est chaud, après en avoir d'abord coupé le courant. Enlever les bouchons supérieur et inférieur des orifices de graissage de chaque roulement, puis débarasser les orifices inférieurs des résidus de graisse durcie. Poser un graisseur sur l'orifice supérieur et y injecter la graisse à basse pression. Faire fonctionner le moteur pendant 30 min, puis l'arrêter et enlever la graisse sortie des roulements. Reposer tous les bouchons.

ATTENTION! ne pas mettre trop de graisse.

DÉMONTAGE

1. Couper le courant.
2. Vidanger le système.
3. Séparer la tuyauterie d'avec la pompe.
4. Enlever les boulons d'ancrage du moteur.
5. Enlever l'anneau élastique (1) de l'arbre par l'orifice de

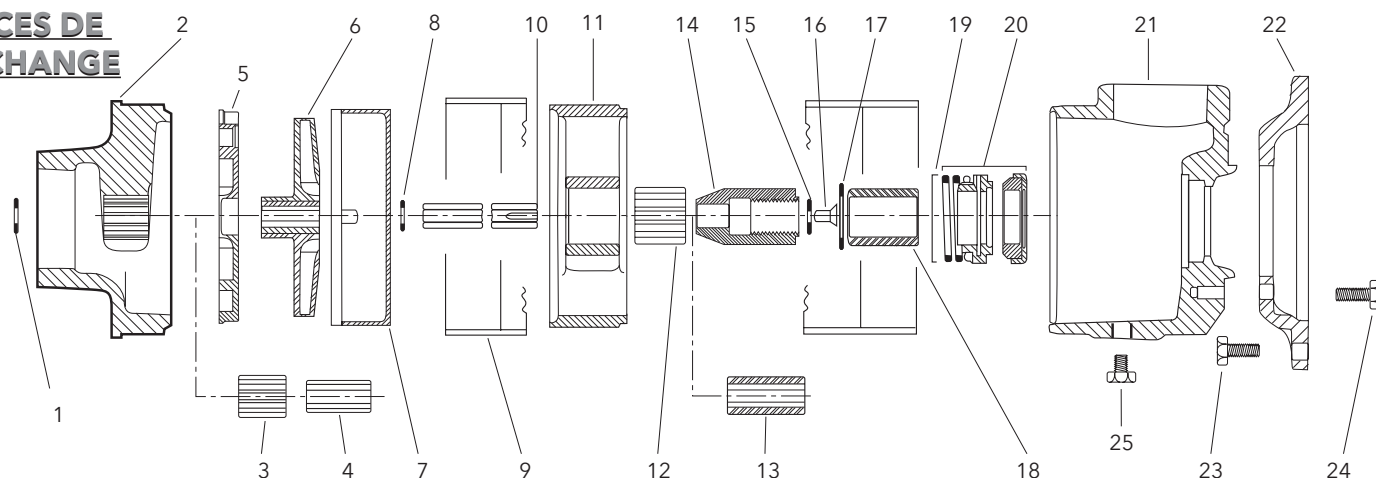
- la tête de refoulement (2).
6. Chauffer chaque extrémité du corps de pompe (9) au chalumeau pour en amollir et décoller l'enduit d'étanchéité des filets (intérieurs).
 7. À l'aide de deux clés, dévisser (en sens antihoraire) la tête de refoulement et le corps d'aspiration (21) d'avec le corps de pompe. Il est possible que le corps de pompe reste fixé à la tête de refoulement ou au corps d'aspiration. En pareil cas, utiliser un serre-tubes à sangle sur le corps de pompe pour le dévisser. **ATTENTION!** : ne pas employer une clé à tubes, car cela endommagerait le corps de pompe. Chauffer les filets au chalumeau pour en décoller l'enduit d'étanchéité.
 8. Retirer la chemise d'arbre (4) de l'ensemble accouplement-arbre (10).
 9. On peut maintenant retirer les étages, composés d'un corps d'étage (« cuvette »), d'une roue et d'un diffuseur.
 10. Enlever l'obturateur de l'extrémité d'arbre de moteur pour accéder à la fente de l'arbre.
 11. Chauffer l'ensemble accouplement-chemise d'arbre au chalumeau par l'orifice du corps d'aspiration afin d'en décoller l'enduit frein pour filets Loctite^{MD} et de dévisser (sens antihoraire) et d'enlever l'ensemble.
 12. Ôter l'arbre, y compris l'élément mobile de la garniture mécanique (20), en le dévissant (sens antihoraire) avec une clé de ½ po et en bloquant l'arbre de moteur avec un tournevis inséré dans la fente de celui-ci. **Nota** : étant donné que l'on a chauffé l'arbre, donc la garniture mécanique, on doit jeter celle-ci et la remplacer par une garniture neuve.
 13. Déposer les vis de fixation (23) de l'adaptateur de moteur (22).
 14. Enlever l'ensemble corps d'aspiration-adaptateur de moteur.
 15. Placer l'ensemble corps d'aspiration-adaptateur de moteur sur une surface plane et pousser l'élément fixe de la garniture mécanique hors de son logement (au centre du corps d'aspiration).

REMONTAGE

1. Nettoyer toutes les pièces et, surtout, les surfaces de guidage moteur-pompe, les surfaces du logement de garniture mécanique (corps d'aspiration) et l'arbre (particulièrement l'épaulement pour l'ensemble accouplement-chemise d'arbre).
2. Nettoyer les filets de l'arbre de moteur et de l'ensemble accouplement-chemise d'arbre et enlever l'enduit Loctite avec une brosse en métal. Appliquer de l'apprêt Primer T^{MD} de Loctite (produit Loctite^{MD} n° 74756, vendu dans les magasins de pièces d'automobile et les quincailleries) sur les filets et le laisser sécher.
3. Lubrifier les surfaces du logement de garniture mécanique et la bague en caoutchouc de l'élément fixe de la garniture avec une huile légère ou de l'eau savonneuse, puis pousser l'élément fixe uniformément jusqu'au fond du logement. **ATTENTION!** : ne pas abîmer ni salir les surfaces polies de la garniture mécanique neuve.
4. Placer le moteur à la verticale, l'arbre vers le haut, et reposer l'ensemble corps d'aspiration-adaptateur de moteur tout en s'assurant que l'arbre de moteur ne

- déloge pas l'élément fixe de la garniture mécanique neuve.
5. Enduire d'un peu d'huile légère ou d'eau savonneuse la surface extérieure de l'ensemble accouplement-chemise d'arbre et la surface intérieure de la partie en caoutchouc de l'élément mobile de la garniture mécanique neuve.
 6. Enfiler l'étrier de retenue du ressort de garniture, le ressort, puis l'élément mobile de la garniture sur l'ensemble accouplement-chemise d'arbre, tout en s'assurant que la surface d'étanchéité de la garniture reste dans son collier de retenue et que l'étrier de retenue du ressort est entièrement appuyé contre l'épaulement de l'ensemble accouplement-chemise d'arbre. **ATTENTION!** : veiller à ne pas abîmer ni à salir les surfaces polies de la garniture mécanique neuve.
 7. Enduire les filets de l'arbre de moteur de Loctite^{MD} n° 271.
 8. Visser l'ensemble accouplement-chemise d'arbre (avec l'élément mobile de la garniture mécanique) à fond sur l'arbre de moteur avec une clé de ½ po tout en bloquant l'arbre de moteur avec un tournevis inséré dans la fente de celui-ci.
 9. Avec une règle rectifiée, placée en travers des bords du corps d'aspiration, vérifier la position de l'extrémité extérieure de l'ensemble accouplement-chemise d'arbre. En raison de variations dans la longueur de l'arbre de moteur ou de certaines pièces de la pompe, l'extrémité peut soit affleurer la règle, soit en être à une distance maximale de 0,080 po (à l'intérieur).
 10. Si l'extrémité de l'ensemble est à l'intérieur du corps d'aspiration, poser des cales de 0,010 po contre l'extrémité jusqu'à ce qu'une (1) cale dépasse le bord de la règle rectifiée.
 11. Remonter les étages de la pompe, un par un, en vérifiant la position du moyeu de roue par rapport aux bords du corps d'étage avec une règle rectifiée. Le moyeu doit affleurer ou dépasser le bord de la règle. Au besoin, ajouter des cales de 0,010 po.
 12. Dans le cas des modèles de 10 hp, poser une bague-support de coussinet au milieu de la série d'étages, une chemise d'arbre (13) et les cales nécessaires.
 13. Reposer la chemise d'arbre (4).
 14. Appliquer un enduit d'étanchéité pour filets (Loctite^{MD} HVV pour tuyaux) sur les filets du corps d'aspiration et de la tête de refoulement servant à visser le corps de pompe, puis y visser ce dernier à 50 lbf-pi. **ATTENTION!** : ne pas mettre d'enduit d'étanchéité sur les filets du corps de pompe.
 15. Avec une douille de ½ po, enfilée sur le bout de l'arbre de pompe par l'orifice de la tête de refoulement, tourner l'arbre à la main en sens antihoraire. L'arbre devrait tourner sans autre résistance que celle de la garniture mécanique.
 16. Reposer l'anneau élastique (1).
 17. Remettre l'obturateur de l'extrémité d'arbre de moteur en place.
 18. Remplir la conduite d'aspiration et la pompe d'eau avant de mettre celle-ci en marche. À ce sujet, voir la section UTILISATION.

PIÈCES DE RECHANGE



N° d'art.	Nom de pièce	N° de moule
1	Anneau élastique	
2	Tête de refoulement à orifice de 2 po, NPT	57209
3	Coussinet cannelé (tête de refoulement)	
4	Chemise d'arbre (tête de refoulement)	
5	Diffuseur	
6	Roue	
7	Corps d'étage	
8	Cale	
9	Corps de pompe	
10*	Ensemble accouplement-arbre	
11	Étage intermédiaire	57203
12	Coussinet cannelé (étage intermédiaire)	
13	Chemise d'arbre (étage intermédiaire)	
14	Accouplement	

N° d'art.	Nom de pièce	N° de moule
15	Rondelle (vis de l'accouplement)	
16	Vis (accouplement)	
17	Bague de retenue	
18	Chemise d'arbre	
19	Étrier de retenue (ressort de garniture mécanique)	
20	Garniture mécanique	
21	Corps d'aspiration à orifice de 2 po, NPT	59098
22	Adaptateur de moteur (carcasse 210)	59153
	Adaptateur de moteur (carcasses 140 à 180)	59099
23	Vis à tête hexagonale (adaptateur-moteur)	
24	Vis à tête hexagonale (adaptateur-corps d'aspiration)	
25	Bouchon de tuyau de 1/4 po, NPT	

* Nota : l'ensemble comprend la rondelle (15) et la vis (16).

GARANTIE POUR UTILISATION COMMERCIALE

Pour les biens vendus aux acheteurs commerciaux, le vendeur garantit les biens vendus ci-dessous (sauf pour les membranes, joints d'étanchéités, joints, matériaux en élastomère, revêtements et autres « pièces d'usure » ou articles consommables, ces derniers n'étant pas garantis sauf indication contraire sur le formulaire de soumission ou de vente) seront (i) intégrés selon les spécifications indiquées sur la soumission ou le formulaire de vente, si ces spécifications font partie intégrantes de cette entente, et (ii) sont libres de toute défectuosité matériel et de fabrication pendant une période de un (1) an depuis la date d'installation ou douze (12) mois depuis la date d'expédition (la date d'expédition ne sera pas ultérieure à dix-huit (18) mois après la réception de l'avis que les biens sont prêts à être expédiés), la première instance à survenir, à moins qu'une période plus longue n'ait été indiquée sur la documentation du produit (la « Garantie »).

Sauf mention contraire dans les lois, le vendeur, à son choix et sans frais pour l'acheteur, réparera ou remplacera tout produit défectueux en vertu de la garantie pour autant que l'acheteur donne un avis écrit au vendeur de toutes défectuosités matérielles ou de main d'œuvre dans les dix (10) jours de la première occurrence d'un défaut ou non conformité. En vertu de l'option de réparation ou de remplacement, le vendeur n'est soumis à aucune obligation de retirer ou de faire retirer le produit défectueux ni d'installer ou de payer pour l'installation du produit réparé ou remplacé. L'acheteur ne peut être tenu responsable de tout autre frais, incluant, entre autre, frais de réparation, d'expéditions et dépenses. Le vendeur à son entière discrétion choisira la méthode ou le moyen de réparation ou de remplacement. Le défaut de l'acheteur de se conformer aux directives de réparation ou de remplacement du vendeur conclura les obligations du vendeur en vertu de la présente garantie et annulera la garantie. Toutes pièces réparées ou remplacées en vertu de la garantie seront couvertes uniquement pour la durée de la garantie restante sur les pièces ayant été réparées ou remplacées. Le vendeur n'aura aucune obligation de garantie envers l'acheteur pour tout produit ou pièces du produit ayant été : (a) réparées par une tierce partie autre que le vendeur ou sans l'approbation écrite du vendeur; (b) soumises à une mauvaise utilisation, mauvaise application, négligence, altération, accident ou dommage physique; (c) utilisées de manière contraire aux directives d'installation, d'opération et d'entretien du vendeur; (d) endommagées par une usure normale, corrosion ou produits chimiques; (e) endommagées par des conditions anormales, vibrations, défaut d'une amorce adéquate ou opération sans débit; (f) endommagées par une alimentation électrique défectueuse ou une mauvaise protection électrique; ou (g) endommagées par l'utilisation d'un accessoire n'ayant pas été vendu ou approuvé par le vendeur. Dans le cas de produits n'ayant pas été fabriqués par le vendeur, ce dernier n'offre aucune garantie; cependant le vendeur fera profiter l'acheteur de toute garantie qu'il aura reçu du fournisseur de tels produits.

LA PRÉSENTE GARANTIE EST EXCLUSIVE ET REMPLACE TOUTE AUTRE GARANTIE OU CONDITIONS EXPRESSES OU IMPLICITES DE QUELQUE NATURE SE RAPPORTANT AUX BIENS FOURNIS CI-APRÈS, INCLUSANT, SANS LIMITE, TOUTE GARANTIE IMPLICITE DE QUALITÉ MARCHANDE ET DE CONFORMITÉ À DES FINS PARTICULIÈRES, QUI SONT RÉFUTÉES EXPRESSÉMENT ET EXLUES. SAUF MENTION CONTRAIRE DANS LES LOIS, LE SEUL RECOURS DE L'ACHETEUR ET LA RESPONSABILITÉ DU VENDEUR EN CAS DE BRIS D'UNE DES GARANTIES CI-APRÈS EST LIMITÉ À LA RÉPARATION OU AU REMPLACEMENT DU PRODUIT ET SERA DANS TOUS LES CAS LIMITÉ AU MONTANT PAYÉ PAR L'ACHETEUR POUR LE PRODUIT DÉFECTUEUX. EN AUCUN CAS, LE VENDEUR NE POURRA ÊTRE TENU RESPONSABLE DE TOUTES AUTRES FORMES DE DOMMAGES, QU'IL SOIT DIRECT, INDIRECT, LIQUIDÉ, ACCIDENTEL, CONSÉCUTIF, PUNITIF, EXEMPLAIRE OU DOMMAGES SPÉCIAUX, INCLUANT, ENTRE AUTRES, PERTE DE PROFIT, PERTE D'ÉCONOMIE PRÉVUE OU DE REVENU, PERTE DE RENTRÉE MONÉTAIRE, PERTE DE CLIENTÈLE, PERTE DE PRODUCTION, PERTE D'OPPORTUNITÉ OU PERTE DE RÉPUTATION.

xylem
Let's Solve Water

Xylem Inc.
2881 East Bayard Street Ext., Suite A, Seneca Falls, NY 13148
Téléphone: (800) 453-6777 • télécopie: (888) 322-5877
www.xylem.com/goulds

Goulds est une marque déposée de Goulds Pumps, Inc., utilisée sous licence.
© 2019, Xylem Inc. IM023 Rev. 5 février 2019