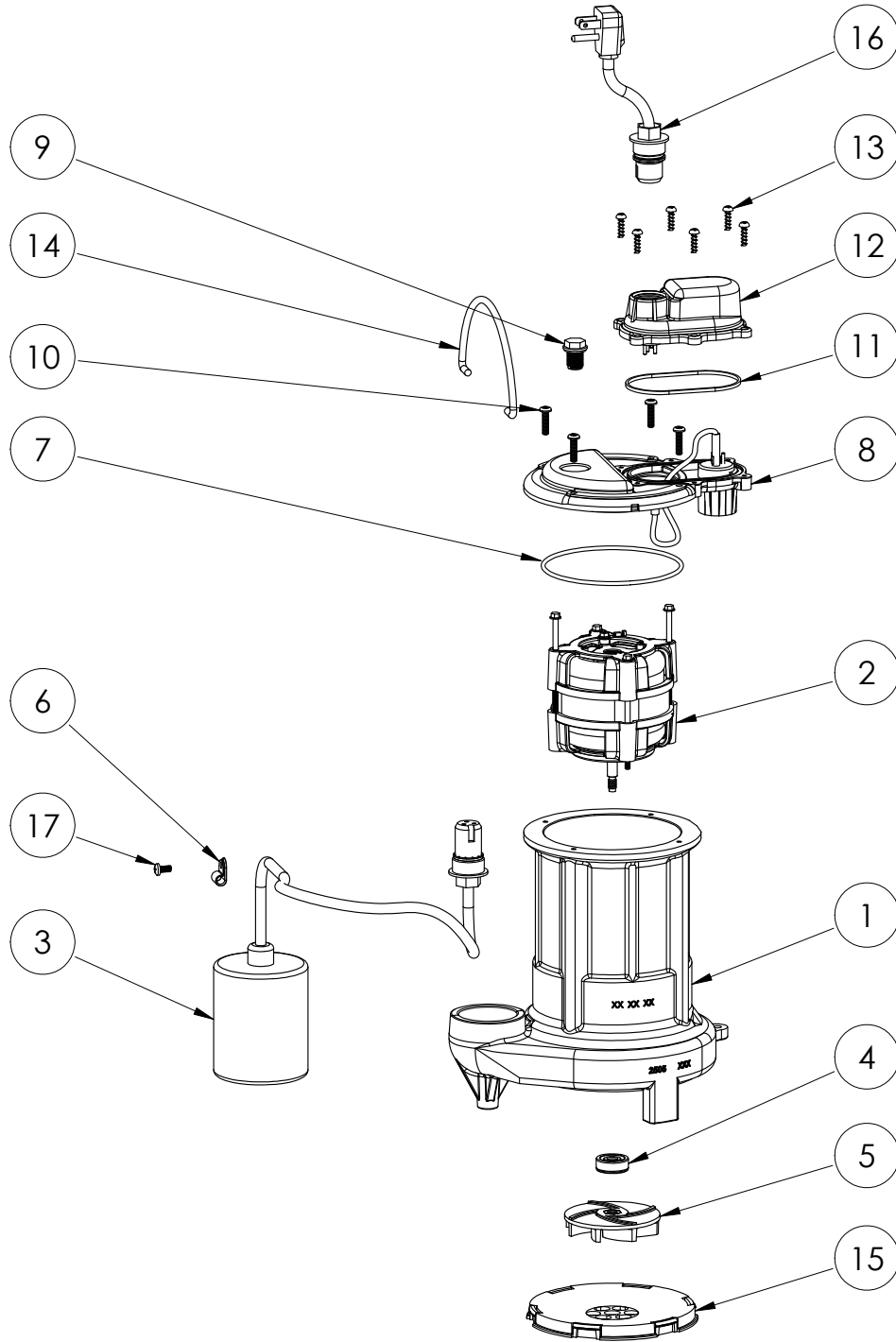


251-2 (B59)



251-2**251-2 (B59)**

| # | PART # | DESCRIPTION | QTY | Note |
|----|---------|--|-----|------|
| 1 | 25050CJ | CAST IRON HOUSING WITH HOLE FOR SWITCH | 1 | [1] |
| 2 | 2415200 | PSC MOTOR | 1 | [1] |
| 3 | K001080 | 2405000 MECHANICAL SWITCH W/ QUICKPLUG | 1 | |
| 4 | K001254 | 3043000 5/16" SHAFT SEAL | 1 | [1] |
| 5 | K001331 | IMPELLER | 1 | |
| 6 | 8014000 | CABLE CLAMP | 1 | |
| 7 | 2357000 | O-RING | 1 | [1] |
| 8 | 240600B | MOTOR COVER | 1 | |
| 9 | 8089000 | OIL PLUG, O-RING ASSEMBLY | 1 | |
| 10 | 8072000 | #10 - 24 x 3/4" SCREW | 4 | |
| 11 | K001046 | SEALRING, CHAMBER COVER | 1 | |
| 12 | 240700B | CHAMBER COVER | 1 | |
| 13 | 8104200 | #10 HILO X 5/8" STAINLESS STEEL SCREW | 6 | |
| 14 | K001082 | HANDLE | 1 | |
| 15 | 2502000 | PLASTIC SCREEN | 1 | |
| 16 | K001008 | POWER CORD, 115V, 25 FOOT CORD | 1 | |
| 17 | 8082000 | #10-24 x 3/8 EPOXY LOCK SCREW | 1 | |

PART NOTES:

[1] - Part requires factory authorized service. Contact Liberty Pumps at 1-800-543-2550