



PUMP COMPANY

Zoeller Family of Water Solutions™

MAIL TO: P.O. BOX 16347 • Louisville, KY 40256-0347
 SHIP TO: 3649 Cane Run Road • Louisville, KY 40211-1961
 (502) 778-2731 • 1 (800) 928-PUMP • FAX (502) 774-3624

Product information presented here reflects conditions at time of publication. Consult factory regarding discrepancies or inconsistencies.

visit our web site:
www.zoeller.com

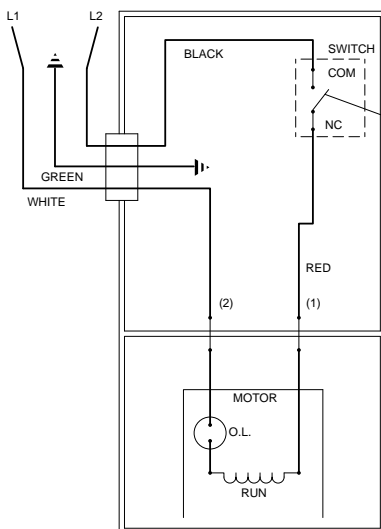
REPLACEMENT PARTS LIST FOR MODELS:

M53 AUTOMATIC 115V
D53 AUTOMATIC 230V
N53 NONAUTOMATIC 115V
E53 NONAUTOMATIC 230V

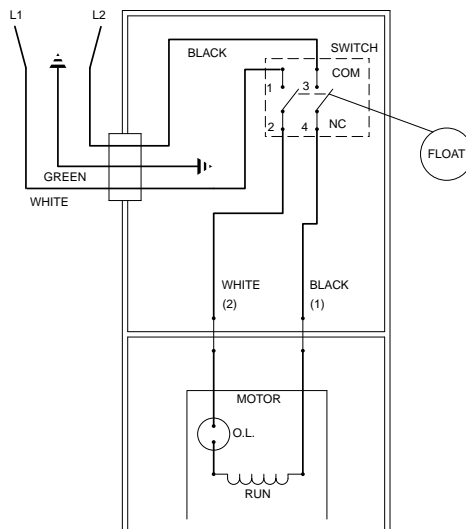
Consult factory for all other models

TO ORDER REPLACEMENT PARTS:
PLEASE FURNISH THE FOLLOWING INFORMATION:

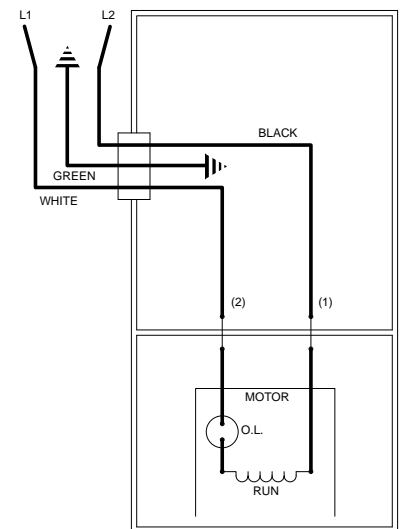
- Model Number.
- Part Number of Pump.
 (If manufactured prior to June 1988, give 2 letter data code following Model No.)
- Part Number and Description of part.



002385
 WIRING DIAGRAM FOR MODELS
 "M53-A" and "D53-A"
 9/81 (VM) thru 8/86 (US)



004619
 WIRING DIAGRAM FOR MODELS
 "M53-B", "M53-C" and "M53-D"
 "D53-B", "D53-C", and "D53-D"
 9/86 (VS) thru Current



002392A
 WIRING DIAGRAM FOR MODELS
 "N53-A", "N53-B" and "N53-C"
 "E53-A", "E53-B", and "E53-C"
 9/81 (VM) thru Current

REPLACEMENT PARTS LIST FOR MODELS "M53" and "D53".

See back page for illustration.

MODELS:				M53-A	M53-B	M53-C	M53-D		D53-A	D53-B	D53-C	D53-D
REF NO.	DESCRIPTION	QTY	NOTES	9/81 VM thru 8/86 US	9/86 VS thru 8/87 UT	9/87 VT thru 6/92	7/92 thru Current		9/81 VM thru 8/86 US	9/86 VS thru 8/87 UT	9/87 VT thru 6/92	7/92 thru Current
1	• Gasket, Case/Cover	1		034046	034046	034046	034046		034046	034046	034046	034046
2	• Clamp, Strain Relief-Red	1		004200	004200	004200	004200		004200	004200	004200	004200
3	• Seal, Cord-Asm "60"	1		002326	004322	004322	004322		002326	004322	004322	004322
4	Cord Term & Seal	1	1, 3, 8	002321	004700	004700	004700		002320	004707	004707	004707
5	Stator - GE	1	2	054040	054040	054040	007951		054050	054050	054050	007952
	Stator - Emerson			002473	002473	002473	007953		005530	005530	005530	007954
6	• Screw, #8-Stator	2		001914	001914	001914	001914		001914	001914	001914	001914
7	Rotor Asm - GE	1	2	054032	054032	054032	054032		054032	054032	054032	054032
	Rotor Asm - Emerson			003735	003735	003735	003735		003735	003735	003735	003735
8	• Seal, Mtr Hsg	1		034007	034007	034007	034007		034007	034007	034007	034007
9	• Washer, Thrust	1		002140	002140	002140	002140		002140	002140	002140	002140
10	• Oil, Dielectric-(15.5 Oz Can)	1		002588	002588	002588	002588		002588	002588	002588	002588
11	Housing, Pump-Mach	1		057018	057018	057018	057018		057018	057018	057018	057018
12	• Seal Asm, Shaft-Blister Pak	1		267027	267027	267027	267027		267027	267027	267027	267027
13	Impeller-Plas 53	1		003644	003644	003644	003644		003644	003644	003644	003644
14	Base Asm	1		002690	002690	002690	002690		002690	002690	002690	002690
15	Plate, Strainer-Plastic	1		001082	001082	NA	NA		001082	001082	NA	NA
16	Case Handle & Arm Asm	1	3, 6	054092	004703	004703	004703		054093	004703	004703	004703
17	• Plug, Test-White	2		034090	034090	034090	034090		034090	034090	034090	034090
18	• Arm & Seal Asm	1	3	054080	004704	004704	004704		054080	004704	004704	004704
19	Case & Switch	1	3, 6, 7	054051	004702	004702	004702		054053	004702	004702	004702
20	Guard	1	3	034016	004617	004617	004617		034016	004617	004617	004617
21	• Seal, Thru Wall Term	2		003402	003402	003402	003402		003402	003402	003402	003402
22	Housing, Mtr-& Term Asm	1		003177	004712	004712	004712		003177	004712	004712	004712
23	Float-Polypropylene	1		034019	034019	034019	034019		034019	034019	034019	034019
24	Rod Asm, Fit	1		054062	054062	054062	054062		054062	054062	054062	054062
25	Guide Asm, Flt Rod	1		034086	034086	034086	034086		034086	034086	034086	034086
26	Switch Asm	1	3	034061	004705	004705	004705		034061	004705	004705	004705
¶	Wire Asm / Flag-Pin	1		002231	NA	NA	NA		002231	NA	NA	NA
27	• Screw, #10-24 X.75	16		001885	001885	001885	001885		001885	001885	001885	001885
28	• Screw, #6-32x.438	2		001877	004644	004644	004644		001877	004644	004644	004644
29	• Screw, #6-32x.25	1		001877	001877	001877	001877		001877	001877	001877	001877
30	• Sem, 10-12x.5	3		003229	003229	NA	NA		003229	003229	NA	NA
¶	Rebuild Kit	1		003181	004706	004706	004706		003181	004706	004706	004706

• Items included in Rebuild Kit.

¶ Not Shown in Illustration.

§ Not sold separately.

DATE CODE OF MANUFACTURE FROM 12/70 to 12/88			
1st LETTER MONTH		2nd LETTER YEAR	
M -- JAN.	T -- JULY	A -- 1971	G -- 1977
N -- FEB.	U -- AUG.	B -- 1972	H -- 1978
O -- MARCH	V -- SEPT.	C -- 1973	I -- 1979
P -- APRIL	W -- OCT.	D -- 1974	J -- 1980
R -- MAY	X -- NOV.	E -- 1975	M -- 1981
S -- JUNE	Y -- DEC.	F -- 1976	N -- 1982
			O -- 1983
			P -- 1984
			R -- 1985
			S -- 1986
			T -- 1987
			U -- 1988

NOTE: Four digit (MMYY) date of mfg. used after June, 1988.
IE: MMYY = 0192 = Jan. 1992

NOTES:

- 1) Strain Relief (Item 2) can be purchased separately, but is included with Cord, Terminal & Seal Assembly (Item 4) and with Seal, Cord Assembly (Item 3).
- 2) Specify GE or Emerson Motor. GE motor can be identified by white valox insulation on stator. Emerson can be identified by green epoxy insulation on stator.
- 3) To insure proper replacement, customer must identify if switch is a General Electric switch.
- 4) See FM0160 Parts Price Sheet for listing of parts prices.
- 5) "NA" indicates, not applicable.
- 6) If an "X" follows Model No., or Date Mfg. on brass ID tag, consult factory for ordering any parts.
- 7) For pumps with date code prior to 9/86 the replacement case and switch will have a new style switch.
- 8) See chart for special length cord replacement.

Special Length Cords		
Length	M53-B thru D	D53-B thru D
15' cord	005566	004940
20' cord	014530	Consult factory
25' cord	004991	Consult factory
35' cord	Consult factory	Consult factory
50' cord	005556	Consult factory

REPLACEMENT PARTS LIST FOR MODELS "N53" and "E53".

See back page for illustration.

MODELS:				N53	N53-A	N53-B	N53-C		E53	E53-A	E53-B	E53-C
REF NO.	DESCRIPTION	QTY	NOTES	9/81 VM thru 8/86 US	9/86 VS thru 8/87 UT	9/87 VT thru 6/92	7/92 thru Current		9/81 VM thru 8/86 US	9/86 VS thru 8/87 UT	9/87 VT thru 6/92	7/92 thru Current
1	• Gasket, Case/Cover	1		034046	034046	034046	034046		034046	034046	034046	034046
2	• Clamp, Strain Relief-Red	1	1	004200	004200	004200	004200		004200	004200	004200	004200
3	• Seal, Cord-Asm "60"	1	1, 3	002326	004322	004322	004322		002326	004322	004322	004322
4	Cord Term & Seal	1	1, 7	002319	004708	004708	004708		002318	004709	004709	004709
5	Stator - GE	1	2	054040	054040	054040	007951		054050	054050	054050	007952
	Stator - Emerson	1	2	002473	002473	002473	007953		005530	005530	005530	007954
6	• Screw, #8	2		001914	001914	001914	001914		001914	001914	001914	001914
7	Rotor Asm - GE	1	2	054032	054032	054032	054032		054032	054032	054032	054032
	Rotor Asm - Emerson	1	2	003735	003735	003735	003735		003735	003735	003735	003735
8	• Seal, Mtr Hsg	1		034007	034007	034007	034007		034007	034007	034007	034007
9	• Washer, Thrust	1		002140	002140	002140	002140		002140	002140	002140	002140
10	• Oil, Dielectric-(15.5 Oz Can)	1		002588	002588	002588	002588		002588	002588	002588	002588
11	Housing, Pump-Mach	1		057018	057018	057018	057018		057018	057018	057018	057018
12	• Seal Asm, Shaft-Blister Pak	1		267027	267027	267027	267027		267027	267027	267027	267027
13	Impeller - Plastic	1		003644	003644	003644	003644		003644	003644	003644	003644
14	Base Asm	1		002690	002690	002690	002690		002690	002690	002690	002690
15	Plate, Strainer-Plastic	1		001082	001082	NA	NA		001082	001082	NA	NA
16	Cover & Handle	1		034067	034067	034067	034067		034097	034097	034097	034097
17	• Plug, Test-White	2		034090	034090	034090	034090		034090	034090	034090	034090
18	• Seal, Thru Wall Term	2		003402	003402	003402	003402		003402	003402	003402	003402
19	Housing, Mtr-& Term Asm	1		003177	004712	004712	004712		003177	004712	004712	004712
20	• Screw, #10-24 X.75	16		001885	001885	001885	001885		001885	001885	001885	001885
21	• Sem, 10-12x.5	3		003229	003229	NA	NA		003229	003229	NA	NA
22	• Screw, #6-32x.25	1		001877	001877	001877	001877		001877	001877	001877	001877
☐	Rebuild Kit	1		003181	004706	004706	004706		003181	004706	004706	004706

• Items included in Rebuild Kit.

☐ Not Shown in Illustration.

§ Not sold separately.

Special Length Cords		
Length	N53-A thru C	E53-A thru C
20' cord	011693	Consult factory
25' cord	013046	Consult factory
35' cord	019471	Consult factory
50' cord	N/A	Consult factory

NOTES:

- 1) Strain Relief (Item 2) can be purchased separately, but is included with Cord, Terminal & Seal Assembly (Item 4) and with Seal, Cord Assembly (Item 3).
- 2) Specify GE or Emerson Motor. GE motor can be identified by white valox insulation on stator. Emerson can be identified by green epoxy insulation on stator.
- 3) When ordering these parts, customer must identify if switch is a General Electric switch.
- 4) See FM0160 Parts Price Sheet for listing of parts prices.
- 5) "NA" indicates, not applicable.
- 6) If an "X" follows Model No., or Date Mfg. on brass ID tag, consult factory for ordering any parts.
- 7) See chart for special length cord replacement.



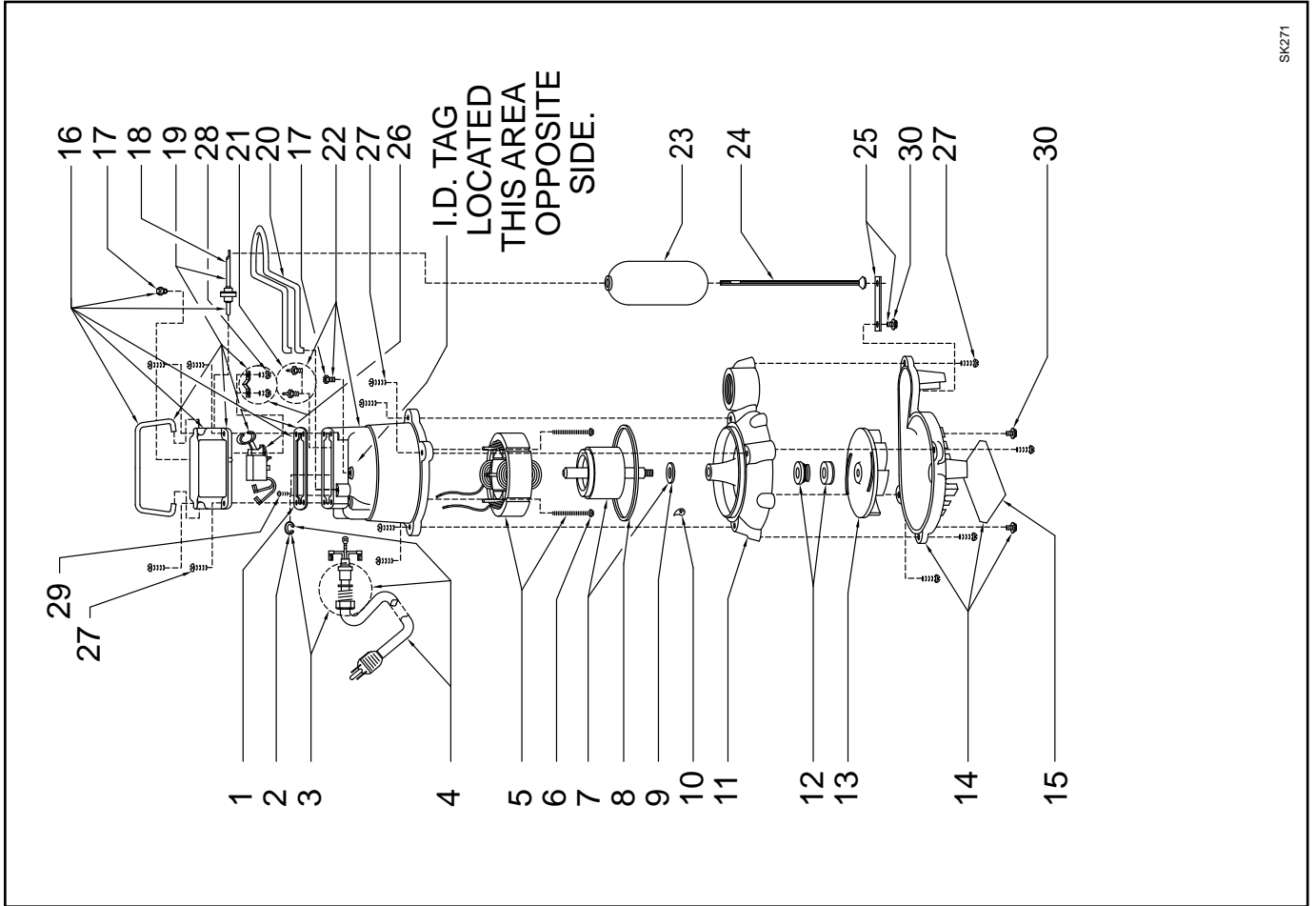
PUMP COMPANY

MAIL TO: P.O. BOX 16347 • Louisville, KY 40256-0347
 SHIP TO: 3649 Cane Run Road • Louisville, KY 40211-1961
 (502) 778-2731 • 1 (800) 928-PUMP • FAX (502) 774-3624

Your Peace of Mind is Our Top Priority™

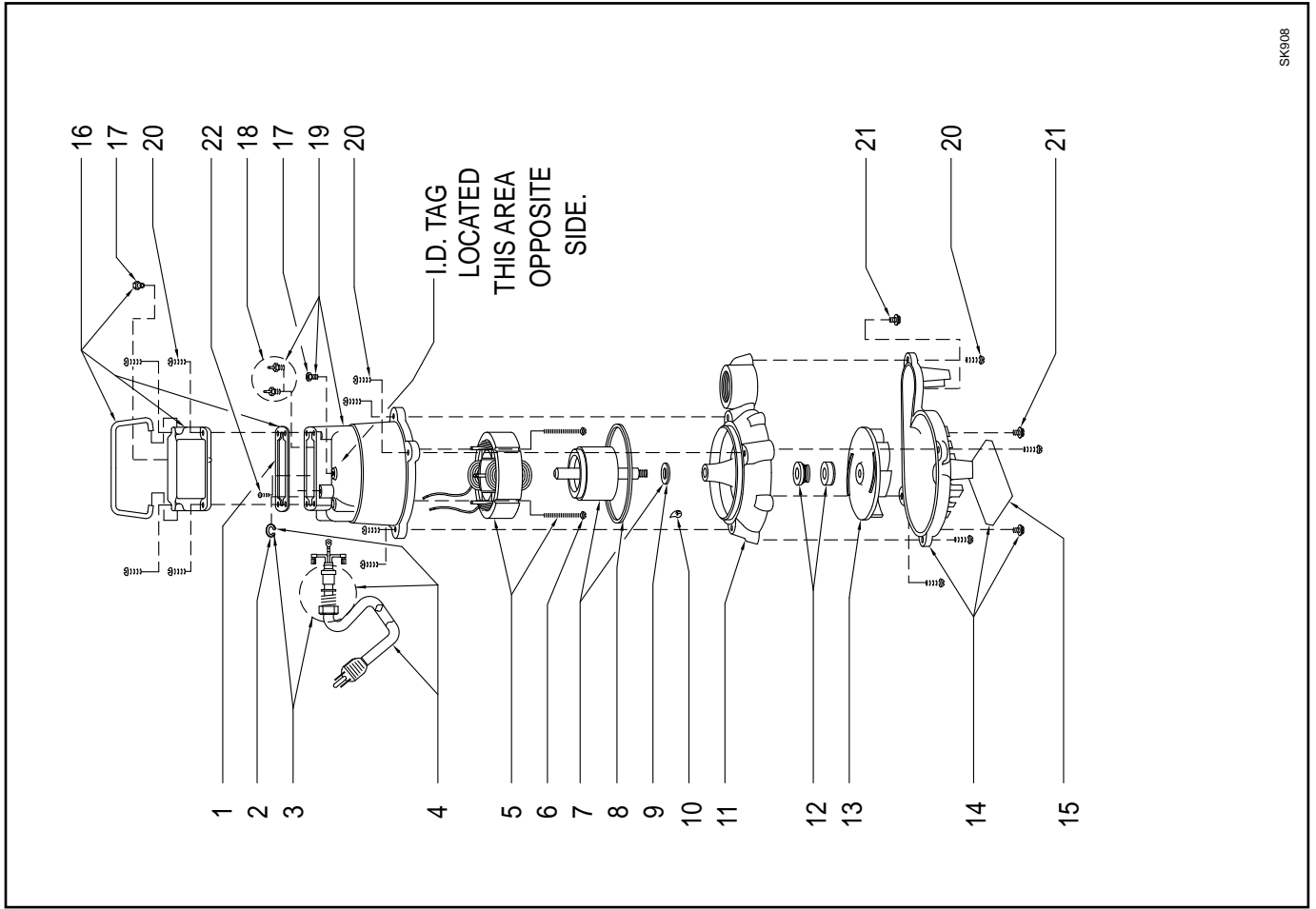
visit our web site:
www.zoeller.com

REPLACEMENT PARTS ILLUSTRATION FOR MODELS "M53" AND "D53"



SK271

REPLACEMENT PARTS ILLUSTRATION FOR MODELS "N53" AND "E53"



SK908