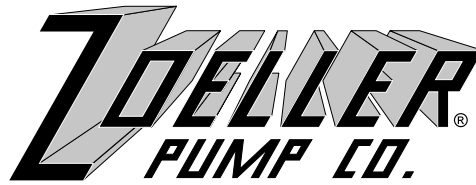


"QUALITY PUMPS SINCE 1939"

Product information presented here reflects conditions at time of publication. Consult factory regarding discrepancies or inconsistencies.



SECTION: 6.10.205

FM1032

0208

Supersedes

0701

MAIL TO: P.O. BOX 16347 • Louisville, KY 40256-0347
 SHIP TO: 3649 Cane Run Road • Louisville, KY 40211-1961
 (502) 778-2731 • 1 (800) 928-PUMP • FAX (502) 774-3624

visit our web site:
www.zoeller.com

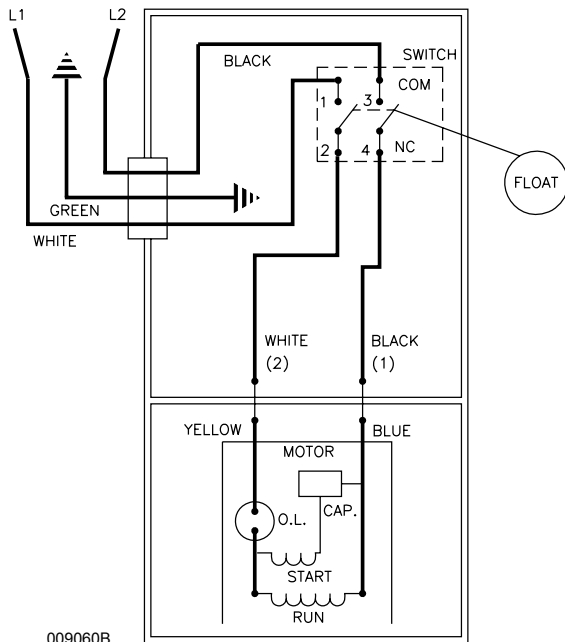
REPLACEMENT PARTS LIST FOR MODELS:

M98 AUTOMATIC 115V
D98 AUTOMATIC 230V
N98 NONAUTOMATIC 115V
E98 NONAUTOMATIC 230V

TO ORDER REPLACEMENT PARTS:

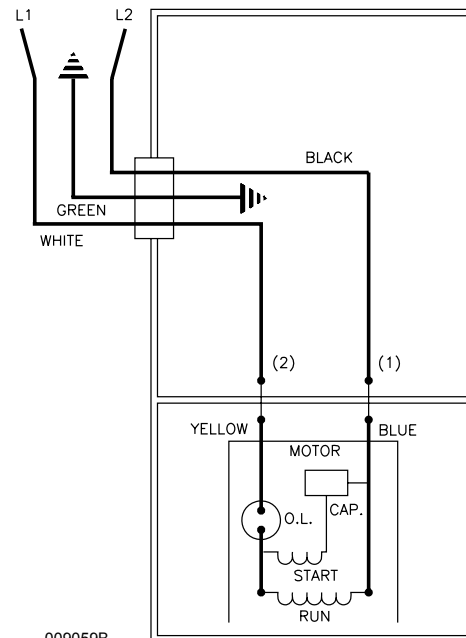
PLEASE FURNISH THE FOLLOWING INFORMATION:

- Model Number.
- Part Number of Pump.
- Part Number and Description of part.



009060B

WIRING DIAGRAM FOR MODELS
 "M98-A", "M98-B", "D98-A" and "D98-B"
 11/90 thru Present



009059B

WIRING DIAGRAM FOR MODELS
 "N98-A", "N98-B", "E98-A" and "E98-B"
 11/90 thru Present

REPLACEMENT PARTS LIST FOR MODELS "M98" & "D98"

See back page for "M98" and "D98" illustration.

REF. NO.	DESCRIPTION	QTY	NOTES	MODELS: M98-A		M98-B	D98-A		D98-B
				11/90 thru 11/95	12/95 thru Current	11/90 thru 1/96	2/96 thru Current		
1	• Gasket,Case/Cover	1		034046	034046		034046	034046	
2	• Clamp,Strain Relief-Red	1		004200	004200		004200	004200	
3	• Seal,Cord-Asm	1		004322	004322		004322	004322	
4	Cord Term & Seal 15'	1	3	004723	004723		004735	004735	
5	Stator-EMD	1	4	010463	N/A		010464	N/A	
	Stator-GE			N/A	010271		N/A	010272	
6	Rotor Asm 115/230V/1Ph - EMD	1	4	010463	N/A		010464	N/A	
	Rotor Asm 115/230V/1Ph - GE			N/A	010270		N/A	010270	
7	• Seal,Mtr Hsg	1		034007	034007		034007	034007	
8	• Washer,Trst-Nyl.875X.504X.050"	1		002140	002140		002140	002140	
9	• Oil,Dielectric (38 Oz Can)	1		007051	007051		007051	007051	
10	Housing,Pump-Mach "98"	1		006107	006107		006107	006107	
11	• Seal Asm,Shaft-Blister Pak	1		267027	267027		267027	267027	
12	Impeller "98"	1		002570	002570		002570	002570	
13	Base	1		006333	006333		006333	006333	
14	Case Handle & Arm "98"	1		004725	004725		004725	004725	
15	• Plug,Test-White	2		034090	034090		034090	034090	
16	• Arm & Seal Asm	1		004704	004704		004704	004704	
17	Case & Switch "98"	1		004724	004724		004724	004724	
18	• Seal,Thru Wall Term	2		003402	003402		003402	003402	
19	Guard "1098"	1		004645	004645		004645	004645	
20	Housing,Mtr	1		004712	004712		004712	004712	
21	Capacitor	1		007642	007642		007642	007642	
22	Switch Asm	1		004705	004705		004705	004705	
23	Float-Polypropylene	1		034019	034019		034019	034019	
24	Rod,Float-Molded "98"	1		006215	006215		006215	006215	
25	Guide Asm,Fit Rod	1		034086	034086		034086	034086	
26	• Sem,10-24x.375HH-SI Tc.688Wash	1		002000	002000		002000	002000	
27	• Screw,#10-24 X.75 RHM-SI SS	12		001885	001885		001885	001885	
28	• Screw,#6-32x.25RHM SI Tc Stlgr	1		001877	001877		001877	001877	
29	• Screw,#8-32x2.563 Rhpl-Stlbo	2		001914	001914		001914	001914	
30	• Screw,#6-32x.438Rhstlp"1"Stlzi	2		004644	004644		004644	004644	
□	Rebuild Kit "98"	1		006949	006949		006949	006949	

• Items included in Rebuild Kit.

□ Not Shown in Illustration.

NOTES:

- 1) See FM0160 Parts Price Sheet for listing of parts prices.
- 2) "NA" indicates, not applicable.
- 3) If an "X" follows Model No., or Date Mfg. on brass ID tag, consult factory for ordering of this part.
- 4) When ordering these parts, customer must identify G.E. or EMD.

REPLACEMENT PARTS LIST FOR MODELS "N98" & "E98"

See back page for "N98" and "E98" illustration.

REF. NO.	DESCRIPTION	QTY	NOTES	MODELS: N98-A		E98-A	E98-B
				11/90 thru 11/95	12/95 thru Current		
1	• Gasket, Case/Cover	1		034046	034046	034046	034046
2	• Clamp, Strain Relief-Red	1		004200	004200	004200	004200
3	• Seal, Cord-Asm	1		004322	004322	004322	004322
4	Cord Term & Seal 15' NA	1	3	004736	004736	004737	004737
5	Stator - EMD	1	4	010463	N/A	010464	N/A
	Stator - GE			N/A	010271	N/A	010272
6	Rotor Asm 115/230V/1Ph - EMD	1	4	010463	N/A	010464	N/A
	Rotor Asm 115/230V/1Ph - GE			N/A	010270	N/A	010270
7	• Seal, Mtr Hsg	1		034007	034007	034007	034007
8	• Washer, Trst-Nyl. 875X.504X.050"	1		002140	002140	002140	002140
9	• Oil, Dielectric (38 Oz Can)	1		007051	007051	007051	007051
10	Housing, Pump-Mach "98"	1		006107	006107	006107	006107
11	• Seal Asm, Shaft-Bliester Pak	1		267027	267027	267027	267027
12	Impeller "98"	1		002570	002570	002570	002570
13	Base	1		006333	006333	006333	006333
14	Cover Handle "98"	1		002580	002580	002580	002580
15	• Plug, Test-White	2		034090	034090	034090	034090
16	• Seal, Thru Wall Term	2		003402	003402	003402	003402
17	Housing, Mtr	1		004712	004712	004712	004712
18	Capacitor	1		007642	007642	007642	007642
19	• Screw, #10-24 X.75 RHM-SI SS	12		001885	001885	001885	001885
20	• Sem, 10-24x.375HH-SI Tc.688Wash	1		002000	002000	002000	002000
21	• Screw, #8-32x2.563 Rhpl-Stlbo	2		001914	001914	001914	001914
22	• Screw, #6-32x.25RHM SI Tc Stlgr	1		001877	001877	001877	001877
☐	Rebuild Kit "98"	1		006949	006949	006949	006949

• Items included in Rebuild Kit.

☐ Not Shown in Illustration.

NOTES:

- 1) See FM0160 Parts Price Sheet for listing of parts prices.
- 2) "NA" indicates, not applicable.
- 3) If an "X" follows Model No., or Date Mfg. on brass ID tag, consult factory for ordering of this part.
- 4) When ordering these parts, customer must identify G.E. or EMD.



www.zoeller.com

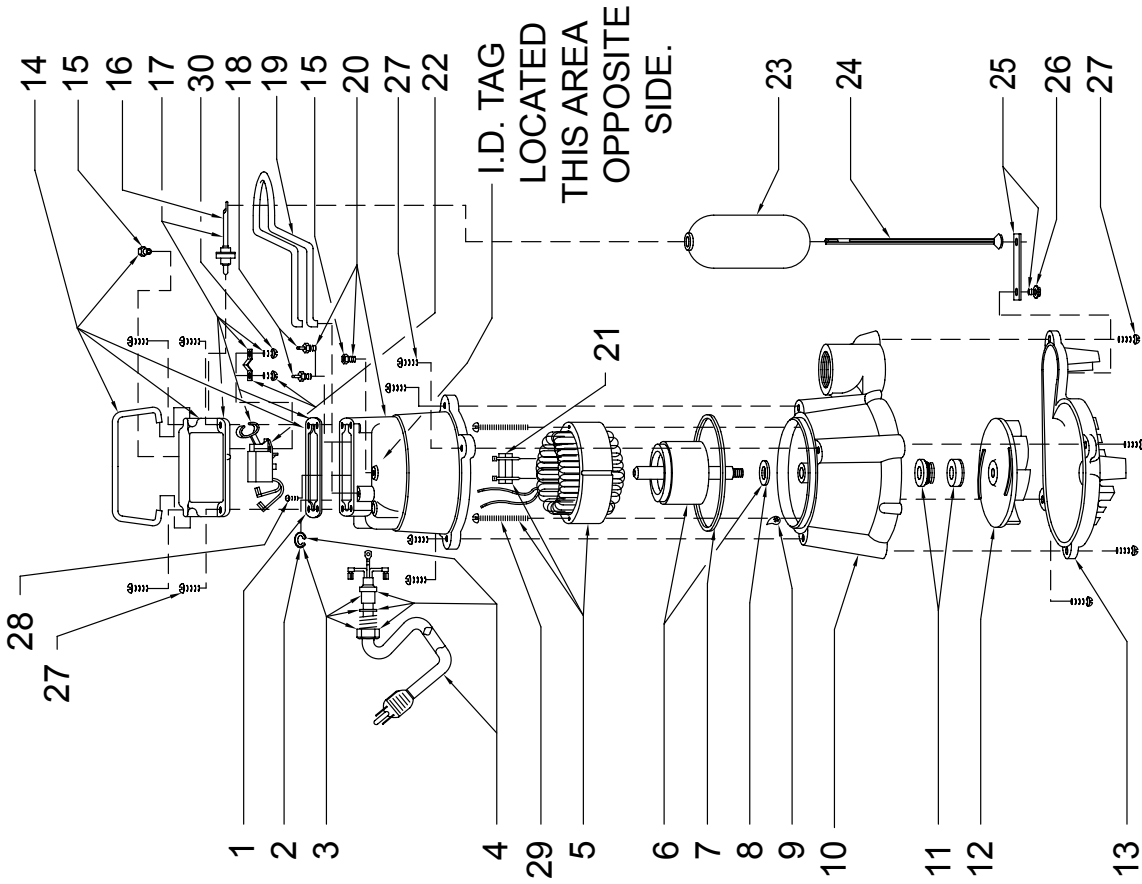
ZOELLER
PUMP CO.

MAIL TO: P.O. BOX 16347
Louisville, KY 40256-0347
SHIP TO: 3649 Cane Run Road
Louisville, KY 40211-1961
(502) 778-2731 • 1 (800) 928-PUMP
FAX (502) 774-3624

Manufacturers of..

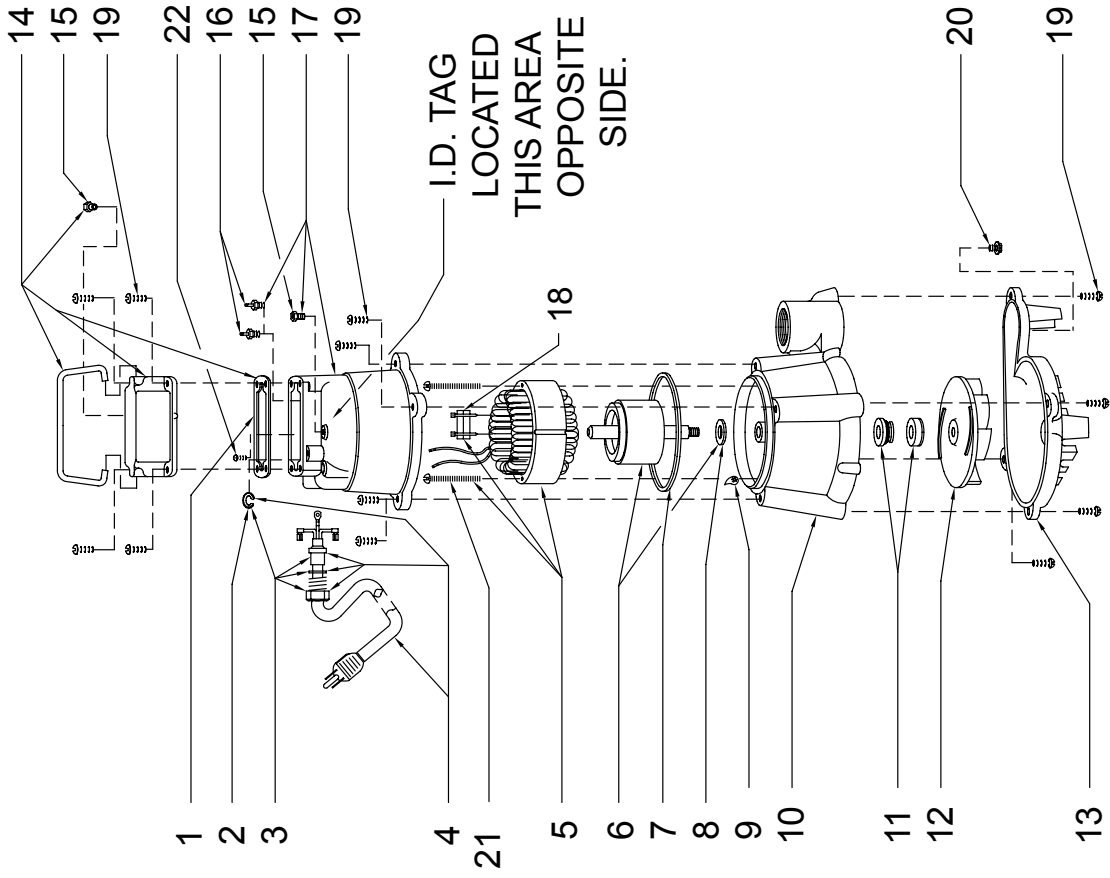
"QUALITY PUMPS SINCE 1939"

REPLACEMENT PARTS ILLUSTRATION FOR MODELS "M98" AND "D98"



SK1112

REPLACEMENT PARTS ILLUSTRATION FOR MODELS "N98" AND "E98"



SK1113