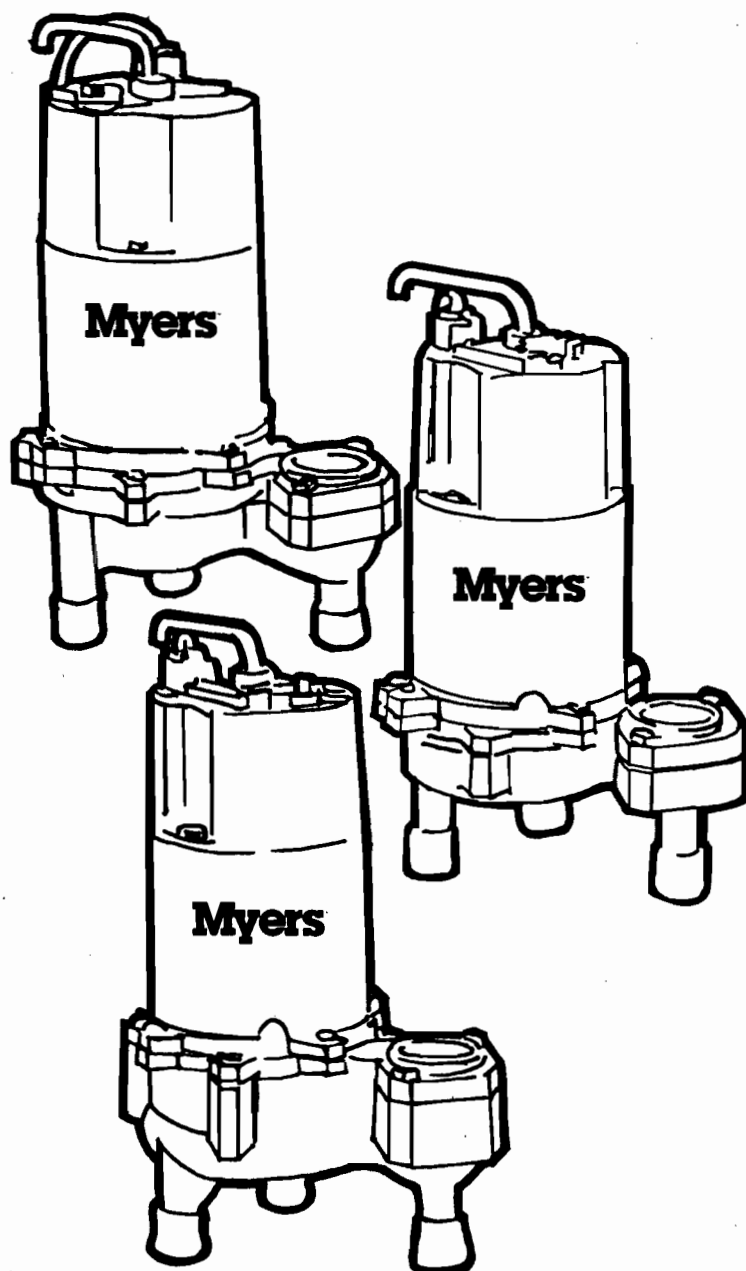


Myers®

**WHR, WHR-A, WHRH, WHRE
WHR-DS, WHRH-DS & WHRE-DS
Parts List**



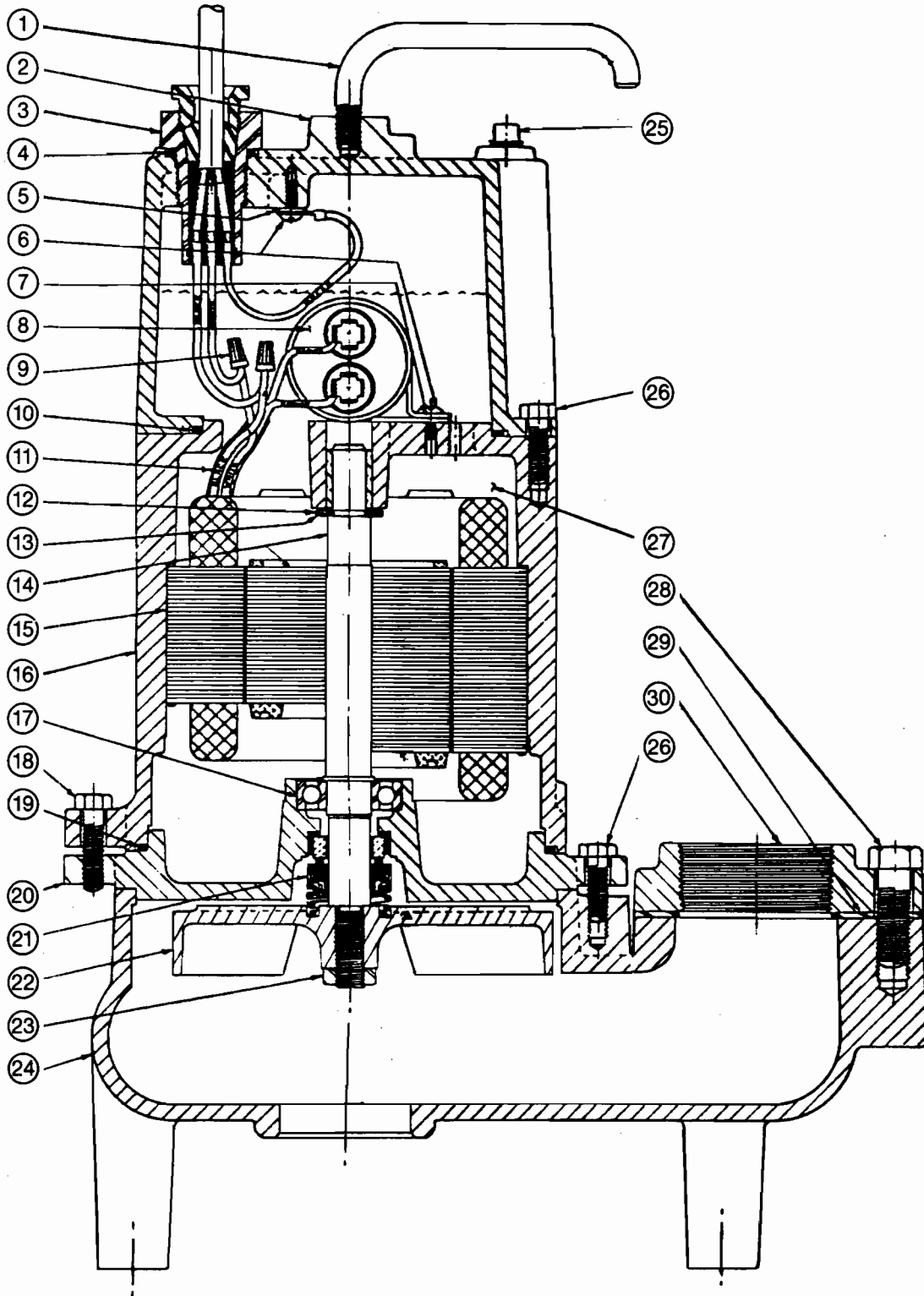
WHR Parts List

Ref. No.	Description	No. Req'd.	Part Number
1	Handle	1	21649A
2	Housing, Capacitor	1	21648C
3	Fitting & Cord	1	See Chart
4	Ring, "O", 1 $\frac{3}{8}$ " x 1 $\frac{1}{8}$ " x $\frac{1}{8}$ "	1	5876A13
5	Lockwasher, #10	1	6107A15
6	Screw, Mach., #10-24 x $\frac{3}{8}$ "	1 Phase	2
		3 Phase	1
			5434A43
7	Clip, Capacitor Single Phase Only	1	20333A4
8	Capacitor Single Phase Only	1	23838A
9	Connector, Solderless	1 Phase	2
		3 Phase	3/6
			15781A1
10	Gasket, Tetraseal, 4 $\frac{1}{2}$ " x 4 $\frac{1}{4}$ " x $\frac{1}{8}$ "	1	5014A173
11	Tube, Plastic	1 Phase	1
		3 Phase	1
			10649A124
			10649A102
12	Washer, Teflon, $\frac{1}{2}$ " x 1" x $\frac{1}{16}$ "	1	5030A163
13	Washer, Thrust, $\frac{1}{2}$ " x 1" x $\frac{1}{32}$ "	1	5030A173
14	Rotor with Shaft	1	See Chart
	Shaft Only (For All HP Sizes)	1	21653B
—	Housing with Stator	1	See Chart
15	Stator Only	1	See Chart
16	Motor Housing Only	1	21790D

Ref. No.	Description	No. Req'd.	Part Number
17	Bearing, Ball	1	8565A13
18	Screw, Cap, Hex Hd., $\frac{5}{16}$ -18 x 1 $\frac{1}{4}$ "	4	19100A12
19	Gasket, Tetraseal, 6 $\frac{1}{8}$ " x 5 $\frac{7}{8}$ " x $\frac{1}{8}$ "	1	5014A174
20	Plate, Seal Housing	1	21662C
21	Seal, $\frac{5}{8}$ " Shaft	1	22447A
22	Impeller, Pump	1	See Chart
23	Nut, Hex, $\frac{7}{16}$ -20 NF	1	19109A70
24	Case, Volute	1	21664D
25	Plug, $\frac{1}{4}$ " Pipe	1	5022A9
26	Screw, Cap, Hex Hd., $\frac{5}{16}$ -18 x 1"	7	19100A29
27	Oil, Transformer (1 Qt. In Can)	$\frac{43}{Gal.}$	11009A2
28	Screw, Cap, $\frac{1}{2}$ -13 x 1 $\frac{1}{2}$ "	2	19103A43
29	Gasket	1	21661A
30	Plate, Adapter, 2" NPT	1	21660B
—	Plate, Name (Not Stamped)	1 Phase	1
		3 Phase	1
			21598A
			22719A
—	Screw, Drive	2	5160A4
—	Tip, Crutch, 1 $\frac{1}{8}$ " Dia.	3	21819A
—	Eye Bolt, $\frac{3}{8}$ -16 x 1" Eye	1	21929A2

Pump Catalog Nos.	③ Fitting & Cord	⑭ Rotor with Shaft	Rotor Only	Housing with Stator	⑮ Stator Only	⑳ Impellers
WHR5-11C	21533A2	21652B	21654C200B	21790D20K	21656C	21663C2
WHR5-21	21533A4	21652B	21654C200B	21790D25K	21656C2	21663C2
WHR5-21C	21533A5	21652B	21654C200B	21790D25K	21656C2	21663C2
WHR7-21	21533A4	21652B1	21654C201B	21790D31K	21656C3	21663C1
WHR7-21C & L/P	21533A5	21652B1	21654C201B	21790D31K	21656C3	21663C1
WHR10-21	21533A4	21652B2	21654C202B	21790D35K	21656C4	21663C
WHR10-21C & L/P	21533A5	21652B2	21654C202B	21790D35K	21656C4	21663C
WHR5-03	21533A6	21652B5	21654C203B	21790D40K	21656C5	21663C2
WHR5-23	21533A6	21652B5	21654C203B	21790D45K	21656C6	21663C2
WHR5-43	21533A6	21652B5	21654C203B	21790D45K	21656C6	21663C2
WHR5-53	21533A6	21652B5	21654C203B	21790D50K	21656C7	21663C2
WHR7-03	21533A6	21652B4	21654C204B	21790D55K	21656C8	21663C1
WHR7-23	21533A6	21652B4	21654C204B	21790D60K	21656C9	21663C1
WHR7-43	21533A6	21652B4	21654C204B	21790D60K	21656C9	21663C1
WHR7-53	21533A6	21652B4	21654C204B	21790D65K	21656C10	21663C1
WHR10-03	21533A6	21652B3	21654C205B	21790D70K	21656C11	21663C
WHR10-23	21533A6	21652B3	21654C205B	21790D75K	21656C12	21663C
WHR10-43	21533A6	21652B3	21654C205B	21790D75K	21656C12	21663C
WHR10-53	21533A6	21652B3	21654C205B	21790D80K	21656C13	21663C

WHR Parts List



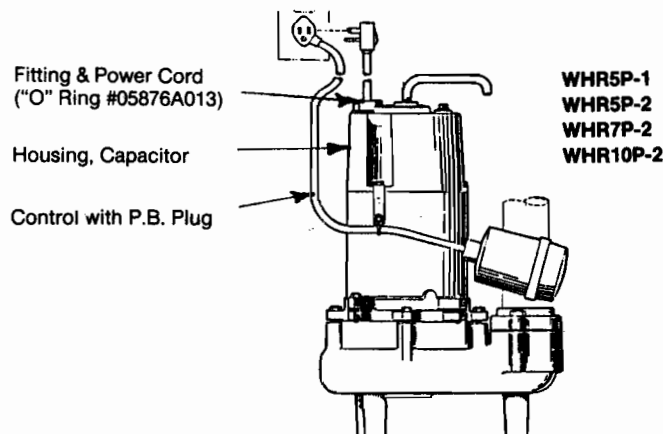
WHR-A Parts List

Ref. No.	Description	No. Req'd.	Part Number
1	Cord, Electric, w/115V Plug ('A' only)	1	21628B006
1	Cord, Electric, w/230V Plug ('A' only)	1	21628B007
2	Plug, Cord Grip ('A' only)	2	22725A000
3	Ferrule, Rubber ('A' only)	2	22724A000
4	Cap, Cord ('A' only)	1	23769B000
5	Control, Level ('A' only)	1	21813B139
6	Connector	5	15781A001
7	Ring "O", 2 1/4 x 2 1/16 x 3/32 ('A' only)	1	05876A105
8	Screw, S-T, #10 x 3/8" Lg.	2	09822A032
9	Ferrule, Metal	2	22755A000
10	Ferrule, Rubber	2	22754A000
11	Wire, Electric, 16 Ga.-1 Str.	2	22500A048
12	Housing, Capacitor ('A' only)	1	24037C000
13	Screw, Mach., #10-24 x 3/8"	1	05434A043
14	Clamp, Capacitor	1	20333A004
15	Capacitor, 20 MFDS.	1	23838A000
16	Gasket, Rubber, 4 1/2 x 4 1/4 x 1/8	1	05014A173
17	Tube, Plastic	1	10649A124
18	Washer, Teflon, 1/16 Thick	1	05030A163
19	Washer, SST, 1/32 Thick	1	05030A173
20	Rotor with Shaft	1	See Chart
—	Shaft Only (For all HP)	1	21653B000
—	Housing with Stator	1	See Chart
21	Stator Only	1	See Chart
22	Motor Housing Only	1	21790D000
23	Bearing, Ball	1	08565A013

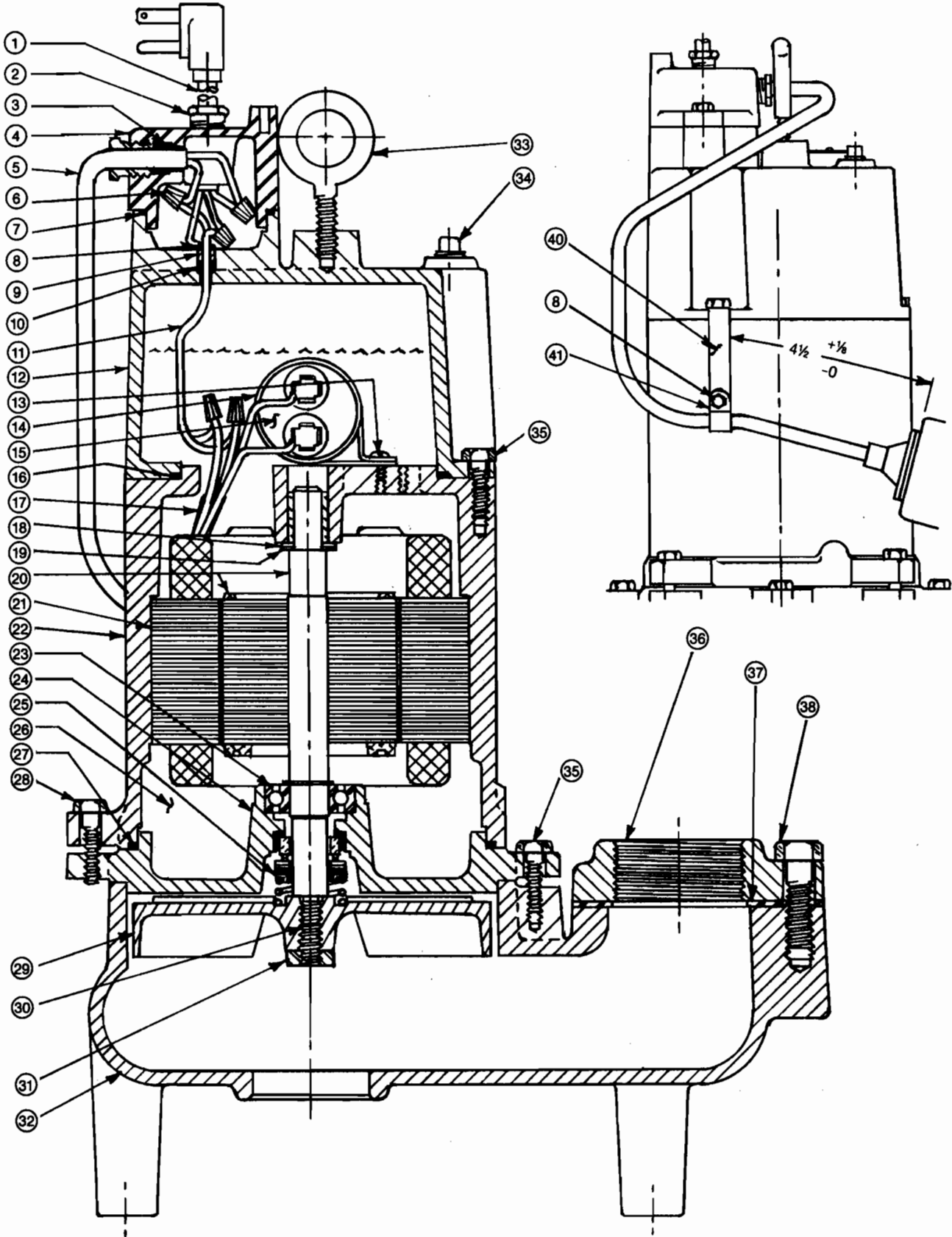
Ref. No.	Description	No. Req'd.	Part Number
24	Plate, Seal Housing	1	21662C000
25	Seal, 5/8" Shaft	1	22447A000
26	Oil, Transformer (5 Gal. Can)	⁴³ 1 Gal.	11009A008
27	Gasket, Rubber, 6 1/8 x 5 7/8 x 1/8	1	05014A174
28	Screw, Cap, 5/16 x 1 1/4" Lg.	4	19100A012
29	Impeller, Pump	1	See Chart
30	Grease, Never Seez, NSBT-8 oz.	1	22386A000
31	Nut, Hex, SST, 7/16-20 NF	1	19109A070
32	Case, Volute	1	21664D000
33	Bolt, Eye	1	21929A002
34	Plug, 1/4" Pipe	1	05022A009
35	Screw, Cap, 5/16 x 1" Lg.	7	19100A029
36	Plate, Adapter, 2" NPT	1	21660B000
37	Gasket	1	21661A000
38	Screw, Cap, 1/2 x 1 1/2" Lg.	2	19103A043
39	Screw, Cap, 1/4 x 1" (For Cord Cap)	2	19099A012
40	Bracket, Float	1	24003A001
41	Clamp, Cable	1	17190A008
—	Screw, Drive	2	05160A004
—	Plate, Name (Not Stamped)	1	21598A000
—	Tip, Crutch, 1/8" Dia.	3	21819A000
—	Control Kit Assy. (With Control, Cord Cap & 20' Cord w/115V Plug)	1	21813B115K
—	Control Kit Assy. (With Control, Cord Cap & 20' Cord w/230V Plug)	1	21813B116K

Pump Catalog Nos.	Rotor with Shaft (20)	Rotor Only	Housing with Stator	Stator Only (21)	Impellers (29)
WHRA5-11	21652B000	21654C200B	21790D020K	21656C000	21663C002
WHRA5-21	21652B000	21654C200B	21790D025K	21656C002	21663C002
WHRA7-21	21652B001	21654C201B	21790D031K	21656C003	21663C001
WHRA10-21	21652B002	21654C202B	21790D035K	21656C004	21663C000

Catalog Nos.	Fitting & Cord	Housing, Capacitor	Control w/P.B. Plug	Rotor & Shaft	Housing & Stator	Impellers
WHR5P-1	21533A002	21648C000	21813B131	21652B000	21790D020K	21663C002
WHR5P-2	21533A005	21648C000	21813B133	21652B000	21790D025K	21663C002
WHR7P-2	21533A005	21648C000	21813B133	21652B001	21790D031K	21663C001
WHR10P-2	21533A005	21648C000	21813B133	21652B002	21790D035K	21663C000



WHR-A Parts List



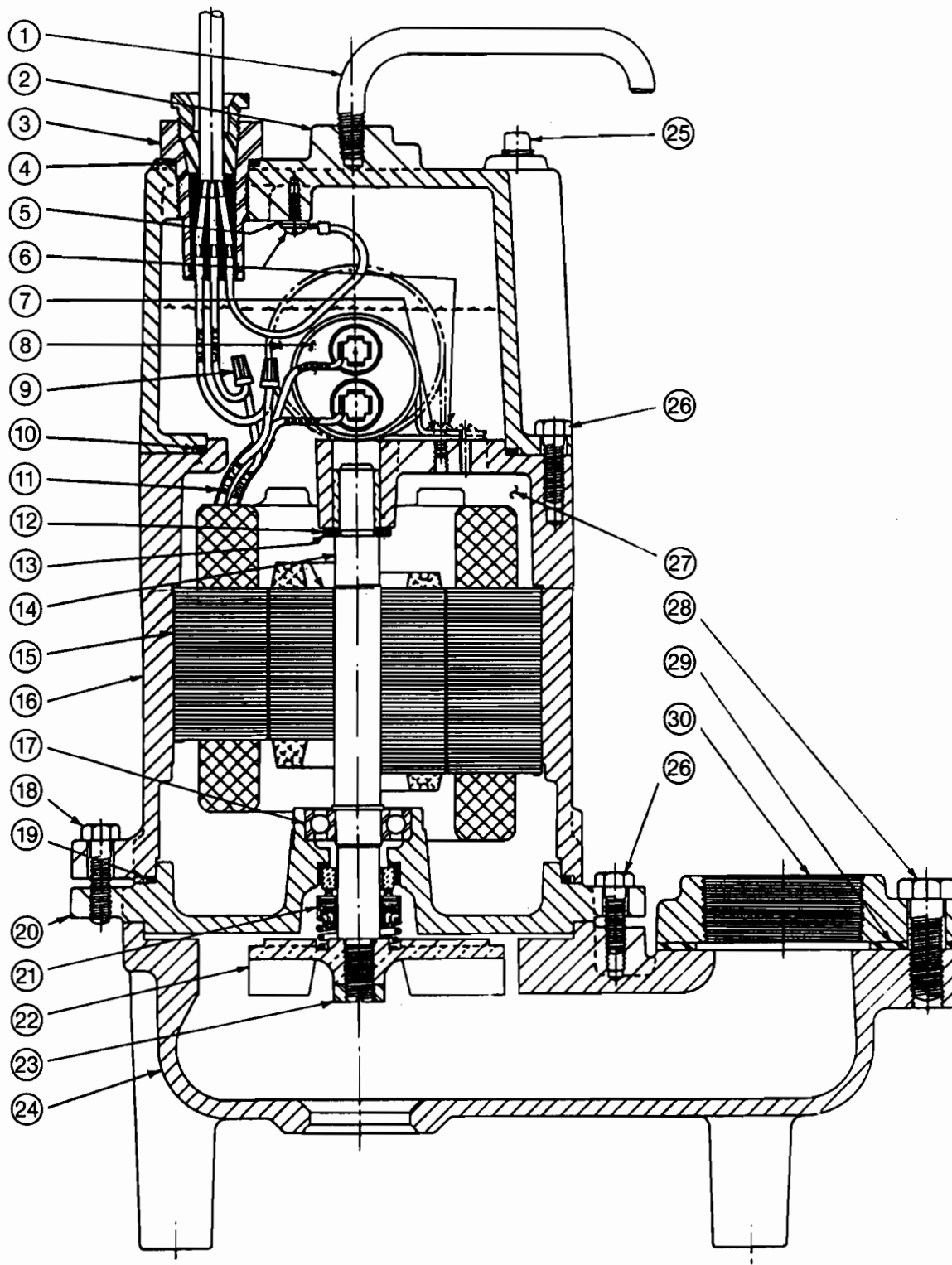
WHRH Parts List

Ref. No.	Description	No. Req'd.	Part Number
1	Handle	1	21649A
2	Housing, Capacitor	1	21648C
3	Fitting & Cord	1	See Chart
4	Ring, "O", 1 1/8" x 1 1/8" x 1/8"	1	5876A13
5	Lockwasher, #10	1	6107A15
6	Screw, Mach., #10-24 x 3/8"	1 Phase 3 Phase	2 1
			5434A43
7	Clip, Capacitor	Single Phase Only	For 2 1/2 Dia. -115V-20333A5 For 1 1/4 Dia. -200/230V-20333A4
8	Capacitor	Single Phase Only	30 MFDS-For 115V-23839A 20 MFDS-For 200/230V-23838A
9	Connector, Solderless	1 Phase 3 Phase	2 3/6
			15781A1
10	Gasket, Tetraseal, 4 1/2" x 4 1/4" x 1/8"	1	5014A173
11	Tube, Plastic	1 Phase 3 Phase	1 1
			10649A124 10649A102
12	Washer, Teflon, 1/2" x 1" x 1/16"	1	5030A163
13	Washer, Thrust, 1/2" x 1" x 1/32"	1	5030A173
14	Rotor with Shaft	1	See Chart
	Shaft Only (For All HP Sizes)	1	21653B1
—	Housing with Stator	1	See Chart
15	Stator Only	1	See Chart
16	Motor Housing Only	1	21790D

Ref. No.	Description	No. Req'd.	Part Number
17	Bearing, Ball	1	8565A13
18	Screw, Cap, Hex Hd., 5/16"-18 x 1 1/4"	4	19100A12
19	Gasket, Tetraseal, 6 1/8" x 5 7/8" x 1/8"	1	5014A174
20	Plate, Seal Housing	1	21662C
21	Seal, 5/8" Shaft	1	22447A
22	Impeller, Pump	1	See Chart
23	Nut, Hex, 7/16"-20 NF	1	19109A70
24	Case, Volute	1	22441D
25	Plug, 1/4" Pipe	1	5022A9
26	Screw, Cap, Hex Hd., 5/16"-18 x 1"	7	19100A29
27	Oil, Transformer (1 Qt. In Can)	.43 Gal.	11009A2
28	Screw, Cap, 1/2"-13 x 1 1/2"	2	19103A43
29	Gasket	1	21661A
30	Plate, Adapter	1	21660B
—	Plate, Name (Not Stamped)	1 Phase 3 Phase	1 1
			21598A 22719A
—	Screw, Drive	2	5160A4
—	Tip, Crutch, 1 1/8" Dia.	3	21819A
—	Eye Bolt, 3/8"-16 x 1" Eye	1	21929A2

Pump Catalog Nos.	③ Fitting & Cord	⑭ Rotor with Shaft	Rotor Only	Housing with Stator	⑮ Stator Only	⑳ Impellers
WHRH5-11C	21533A2	21652B10	21654C209B	21790D95K	21656C16	22439C2
WHRH5-01C	21533A5	21652B8	21654C207B	21790D100K	21656C17	22439C2
WHRH5-21C	21533A5	21652B8	21654C207B	21790D105K	21656C18	22439C2
WHRH10-01C & L/P	21533A5	21652B6	21654C206B	21790D110K	21656C19	22439C1
WHRH10-21C & L/P	21533A5	21652B6	21654C206B	21790D115K	21656C20	22439C1
WHRH20-01C & L/P	21533A5	21652B6	21654C206B	21790D90K	21656C15	22439C
WHRH20-21C & L/P	21533A5	21652B6	21654C206B	21790D85K	21656C14	22439C
WHRH5-03	21533A6	21652B11	21654C210B	21790D135K	21656C21	22439C2
WHRH5-23	21533A6	21652B11	21654C210B	21790D140K	21656C22	22439C2
WHRH5-43	21533A6	21652B11	21654C210B	21790D140K	21656C22	22439C2
WHRH5-53	21533A6	21652B11	21654C210B	21790D145K	21656C23	22439C2
WHRH10-03	21533A6	21652B12	21654C211B	21790D150K	21656C24	22439C1
WHRH10-23	21533A6	21652B12	21654C211B	21790D155K	21656C25	22439C1
WHRH10-43	21533A6	21652B12	21654C211B	21790D155K	21656C25	22439C1
WHRH10-53	21533A6	21652B12	21654C211B	21790D160K	21656C26	22439C1
WHRH20-03	21533A6	21652B7	21572C201B	21790D120K	21573C1	22439C
WHRH20-23	21533A6	21652B7	21572C201B	21790D125K	21573C2	22439C
WHRH20-43	21533A6	21652B7	21572C201B	21790D125K	21573C2	22439C
WHRH20-53	21533A6	21652B7	21572C201B	21790D130K	21573C3	22439C

WHRH Parts List



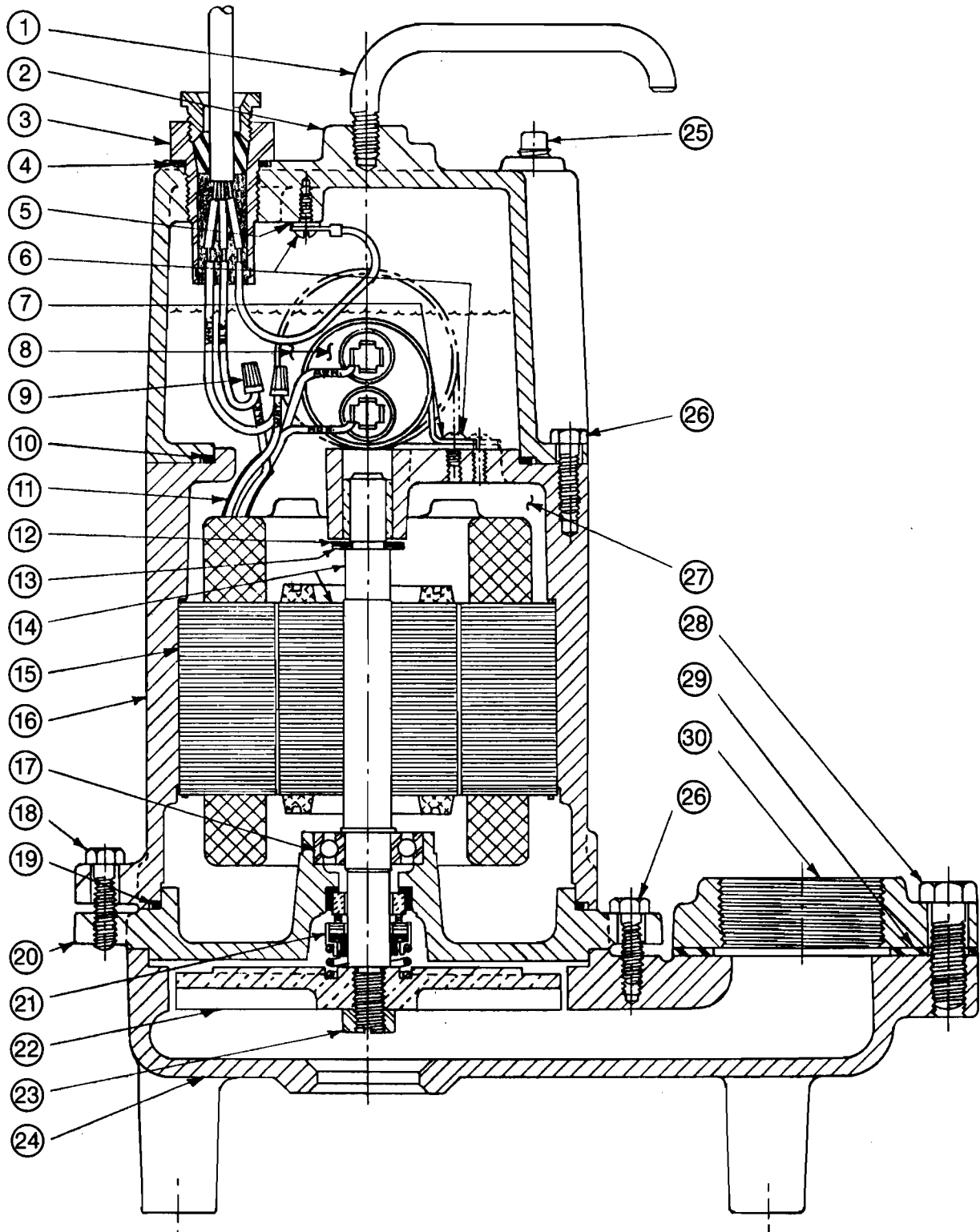
WHRE Parts List

Ref. No.	Description	No. Req'd.	Part Number
1	Handle	1	21649A
2	Housing, Capacitor	1	21648C
3	Fitting & Cord	1	See Chart
4	Ring, "O", 1 $\frac{3}{8}$ " x 1 $\frac{1}{8}$ " x $\frac{1}{8}$ "	1	5876A13
5	Lockwasher, #10	1	6107A15
6	Screw, Mach., #10-24 x $\frac{3}{8}$ "	1 Phase 2 3 Phase 1	5434A43
7	Clip, Capacitor	Single Phase Only	For 2 $\frac{1}{2}$ " Dia.-115V-20333A5 For 1 $\frac{3}{4}$ " Dia.-200/230V-20333A4
8	Capacitor	Single Phase Only	30 MFDS-For 115V-23839A 20 MFDS-For 200/230V-23838A
9	Connector, Solderless	1 Phase 2 3 Phase 3/6	15781A1
10	Gasket, Tetraseal, 4 $\frac{1}{2}$ " x 4 $\frac{1}{4}$ " x $\frac{1}{8}$ "	1	5014A173
11	Tube, Plastic	1 Phase 1 3 Phase 1	10649A124 10649A102
12	Washer, Teflon, $\frac{1}{2}$ " x 1" x $\frac{1}{16}$ "	1	5030A163
13	Washer, Thrust, $\frac{1}{2}$ " x 1" x $\frac{1}{32}$ "	1	5030A173
14	Rotor with Shaft	1	See Chart
	Shaft Only (For All HP Sizes)	1	21653B1
—	Housing with Stator	1	See Chart
15	Stator Only	1	See Chart
16	Motor Housing Only	1	21790D

Ref. No.	Description	No. Req'd.	Part Number
17	Bearing, Ball	1	8565A13
18	Screw, Cap, Hex Hd., $\frac{5}{16}$ -18 x 1 $\frac{1}{4}$ "	4	19100A12
19	Gasket, Tetraseal, 6 $\frac{1}{8}$ " x 5 $\frac{7}{8}$ " x $\frac{1}{8}$ "	1	5014A174
20	Plate, Seal Housing	1	21662C
21	Seal, $\frac{5}{8}$ " Shaft	1	22447A
22	Impeller, Pump	1	See Chart
23	Nut, Hex, $\frac{7}{16}$ -20 NF	1	19109A70
24	Case, Volute	1	22513D
25	Plug, $\frac{1}{4}$ " Pipe	1	5022A9
26	Screw, Cap, Hex Hd., $\frac{5}{16}$ -18 x 1"	7	19100A29
27	Oil, Transformer (1 Qt. In Can)	.43 Gal.	11009A2
28	Screw, Cap, $\frac{1}{2}$ -13 x 1 $\frac{1}{2}$ "	2	19103A43
29	Gasket	1	21661A
30	Plate, Adapter, 2" NPT	1	21660B
—	Plate, Name (Not Stamped)	1 Phase 1 3 Phase 1	21598A 22719A
—	Screw, Drive	2	5160A4
—	Tip, Crutch, 1 $\frac{1}{8}$ " Dia.	3	21819A
—	Eye Bolt, $\frac{3}{8}$ -16 x 1" Eye	1	21929A2

Pump Catalog Nos.	(3) Fitting & Cord	(14) Rotor with Shaft	Rotor Only	Housing with Stator	(15) Stator Only	(22) Impellers
WHRE5-11C	21533A2	21652B10	21654C209B	21790D95K	21656C16	22512C2
WHRE5-01C	21533A5	21652B8	21654C207B	21790D100K	21656C17	22512C2
WHRE5-21C	21533A5	21652B8	21654C207B	21790D105K	21656C18	22512C2
WHRE10-01C & L/P	21533A5	21652B6	21654C206B	21790D110K	21656C19	22512C1
WHRE10-21C & L/P	21533A5	21652B6	21654C206B	21790D115K	21656C20	22512C1
WHRE20-01C & L/P	21533A5	21652B6	21654C206B	21790D90K	21656C15	22512C
WHRE20-21C & L/P	21533A5	21652B6	21654C206B	21790D85K	21656C14	22512C
WHRE5-03	21533A6	21652B11	21654C210B	21790D135K	21656C21	22512C2
WHRE5-23	21533A6	21652B11	21654C210B	21790D140K	21656C22	22512C2
WHRE5-43	21533A6	21652B11	21654C210B	21790D140K	21656C22	22512C2
WHRE5-53	21533A6	21652B11	21654C210B	21790D145K	21656C23	22512C2
WHRE10-03	21533A6	21652B12	21654C211B	21790D150K	21656C24	22512C1
WHRE10-23	21533A6	21652B12	21654C211B	21790D155K	21656C25	22512C1
WHRE10-43	21533A6	21652B12	21654C211B	21790D155K	21656C25	22512C1
WHRE10-53	21533A6	21652B12	21654C211B	21790D160K	21656C26	22512C1
WHRE20-03	21533A6	21652B7	21572C201B	21790D120K	21573C1	22512C
WHRE20-23	21533A6	21652B7	21572C201B	21790D125K	21573C2	22512C
WHRE20-43	21533A6	21652B7	21572C201B	21790D125K	21573C2	22512C
WHRE20-53	21533A6	21652B7	21572C201B	21790D130K	21573C3	22512C

WHRE Parts List



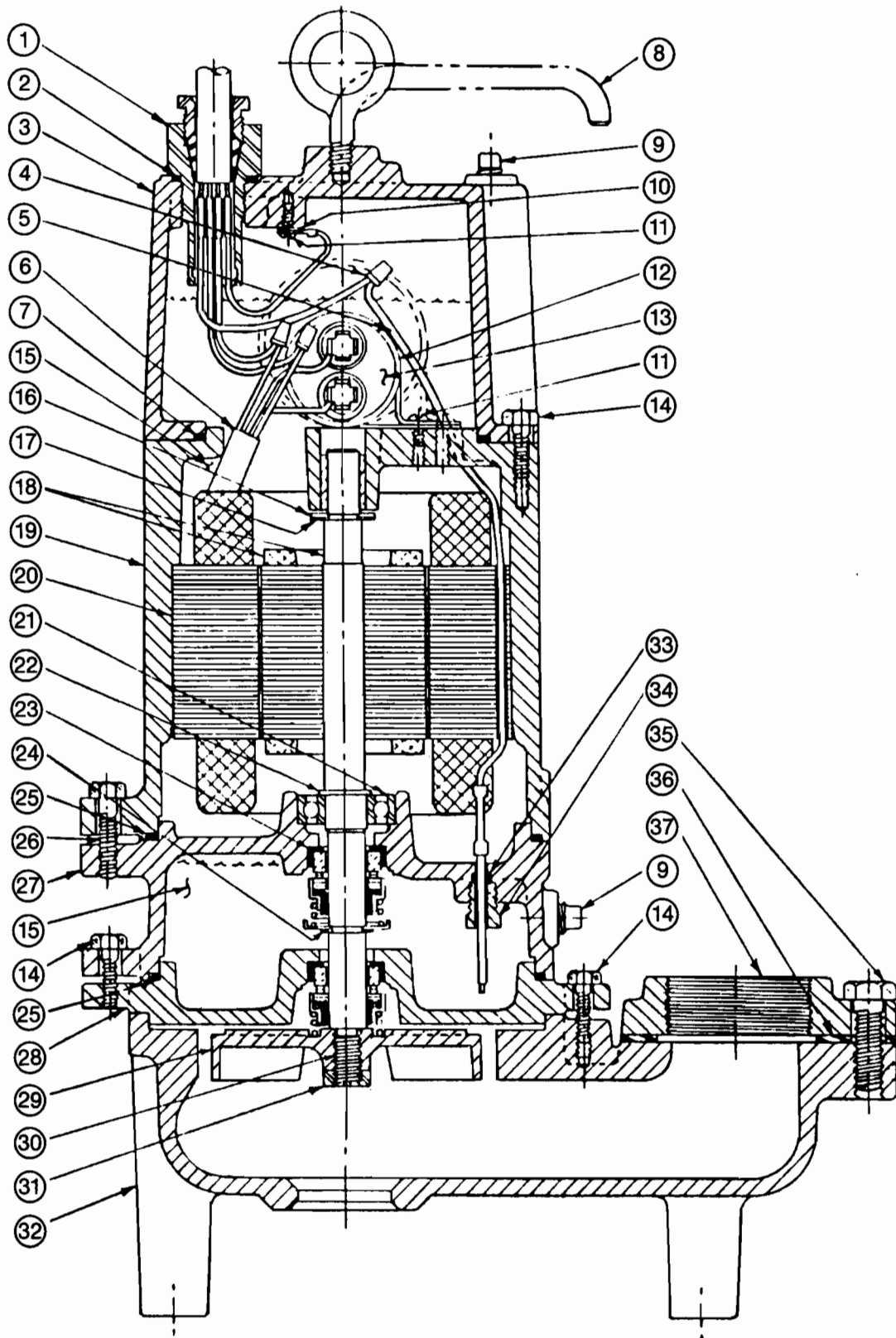
WHR-DS Parts List

Ref. No.	Description	No. Req'd.	Part Number
1	Fitting & Cord	1	See Chart
2	Ring "O", 1 ³ / ₈ × 1 ¹ / ₈ × 1/8	1	05876A013
3	Housing, Capacitor	1	21648C000
4	Connector, Solderless	$\frac{1 \text{ Phase}}{3 \text{ Phase}}$ 3 3/6	15781A001
5	Electrode (Seal Leak Detector)	1	21792A001
6	Tube, Plastic	1	10649A124
7	Gasket, Tetraseal, 4 ¹ / ₂ × 4 ¹ / ₄ × 1/8	1	05014A173
8	Handle	1	21649A000
9	Plug, 1/4" Pipe	2	05022A009
10	Lockwasher, #10	1	06107A015
11	Screw, Mach. #10 × 3/8"	$\frac{1 \text{ Phase}}{3 \text{ Phase}}$ 2 1	05434A043
12	Clip, Capacitor, 1 Ph. Only	1	20333A004
13	Capacitor, 20 MFD., 1 Ph. Only	1	23838A000
14	Screw, Cap, 5/16 × 1"	11	19100A029
15	Oil, Transformer (5 Gal. in Can)	.625 Gal.	11009A006
16	Washer, Teflon, 1/2 × 1 × 1/16	1	05030A163
17	Washer, Thrust, 1/2 × 1 × 1/32	1	05030A173
18	Rotor with Shaft	1	See Chart
	Shaft Only (For All HP Sizes)	1	21653B003
—	Housing with Stator	1	See Chart
19	Housing, Motor	1	21790D001
20	Stator	1	See Chart
21	Bearing, Ball	1	08565A013

Ref. No.	Description	No. Req'd.	Part Number
22	Ring, Retaining	1	12558A021
23	Seal, 5/8 Shaft	2	22447A020
24	Ring, Retaining	1	12558A022
25	Gasket, Tetraseal, 6 ¹ / ₈ × 5 ⁷ / ₈ × 1/8	2	05014A174
26	Screw, Cap, 5/16 × 1 ¹ / ₄	4	19100A012
27	Housing, Upper Seal	1	23715D000
28	Plate, Seal Housing	1	21662C001
29	Impeller	1	See Chart
30	Lubricant, Never Seez, NSBT-8	1	22386A000
31	Nut, Hex, 7/16-20 UNF	1	19109A070
32	Case, Volute	1	21664D000
33	Ferrule, Rubber, .312 O.D. × .265	1	12619A001
33A	Wire, Plug, 12 Ga. × 3" (L/D Series)	1	05928A644
34	Plug, Special	1	21577A000
35	Screw, Cap, 1/2 × 1 ¹ / ₂	2	19103A043
36	Gasket, Adapter	1	21661A000
37	Plate, Adapter, 2" NPT	1	21660B000
	(Option.) Plate, Adapter, 3" NPT	1	21907B001
	Plate, Name (Not Stamped)	$\frac{1 \text{ Phase}}{3 \text{ Phase}}$ 1 1	$\frac{21566A000}{22719A000}$
	Screw, Drive	2	05160A004
	Tip, Crutch, 1 ¹ / ₈ Dia.	3	21819A000
	Eye Bolt, 3/8-16 × 1" Eye	1	21929A002

Pump Catalog Nos.	Fitting & Cord (1)	Rotor with Shaft (18)	Rotor Only	Housing with Stator	Stator Only (20)	Impellers (29)
WHR5-11-DS	21533A009	21652B026	21654C200B	21790D200K	21656C000	21663C002
WHR5-01-DS	21533A009	21652B027	21654C201B	21790D205K	21656C003	21663C002
WHR5-21-DS	21533A009	21652B026	21654C200B	21790D210K	21656C002	21663C002
WHR5-11-DS L/D	21533A018	21652B026	21654C200B	21790D200K	21656C000	21663C002
WHR5-01-DS L/D	21533A018	21652B027	21654C201B	21790D205K	21656C003	21663C002
WHR5-21-DS L/D	21533A018	21652B026	21654C200B	21790D210K	21656C002	21663C002
WHR5-03-DS L/D	21533A006	21652B028	21654C203B	21790D215K	21656C005	21663C002
WHR5-23-DS L/D	21533A006	21652B028	21654C203B	21790D220K	21656C006	21663C002
WHR5-43-DS L/D	21533A006	21652B028	21654C203B	21790D220K	21656C006	21663C002
WHR5-53-DS L/D	21533A006	21652B028	21654C203B	21790D225K	21656C007	21663C002
WHR7-21-DS	21533A009	21652B027	21654C201B	21790D205K	21656C003	21663C001
WHR7-21-DS L/D	21533A018	21652B027	21654C201B	21790D205K	21656C003	21663C001
WHR7-03-DS L/D	21533A006	21652B029	21654C204B	21790D230K	21656C008	21663C001
WHR7-23-DS L/D	21533A006	21652B029	21654C204B	21790D235K	21656C009	21663C001
WHR7-43-DS L/D	21533A006	21652B029	21654C204B	21790D235K	21656C009	21663C001
WHR7-53-DS L/D	21533A006	21652B029	21654C204B	21790D240K	21656C010	21663C001
WHR10-21-DS	21533A009	21652B030	21654C202B	21790D245K	21656C004	21663C000
WHR10-21-DS L/D	21533A018	21652B030	21654C202B	21790D245K	21656C004	21663C000
WHR10-03-DS L/D	21533A006	21652B031	21654C205B	21790D250K	21656C011	21663C000
WHR10-23-DS L/D	21533A006	21652B031	21654C205B	21790D255K	21656C012	21663C000
WHR10-43-DS L/D	21533A006	21652B031	21654C205B	21790D255K	21656C012	21663C000
WHR10-53-DS L/D	21533A006	21652B031	21654C205B	21790D260K	21656C013	21663C000

WHR-DS Parts List



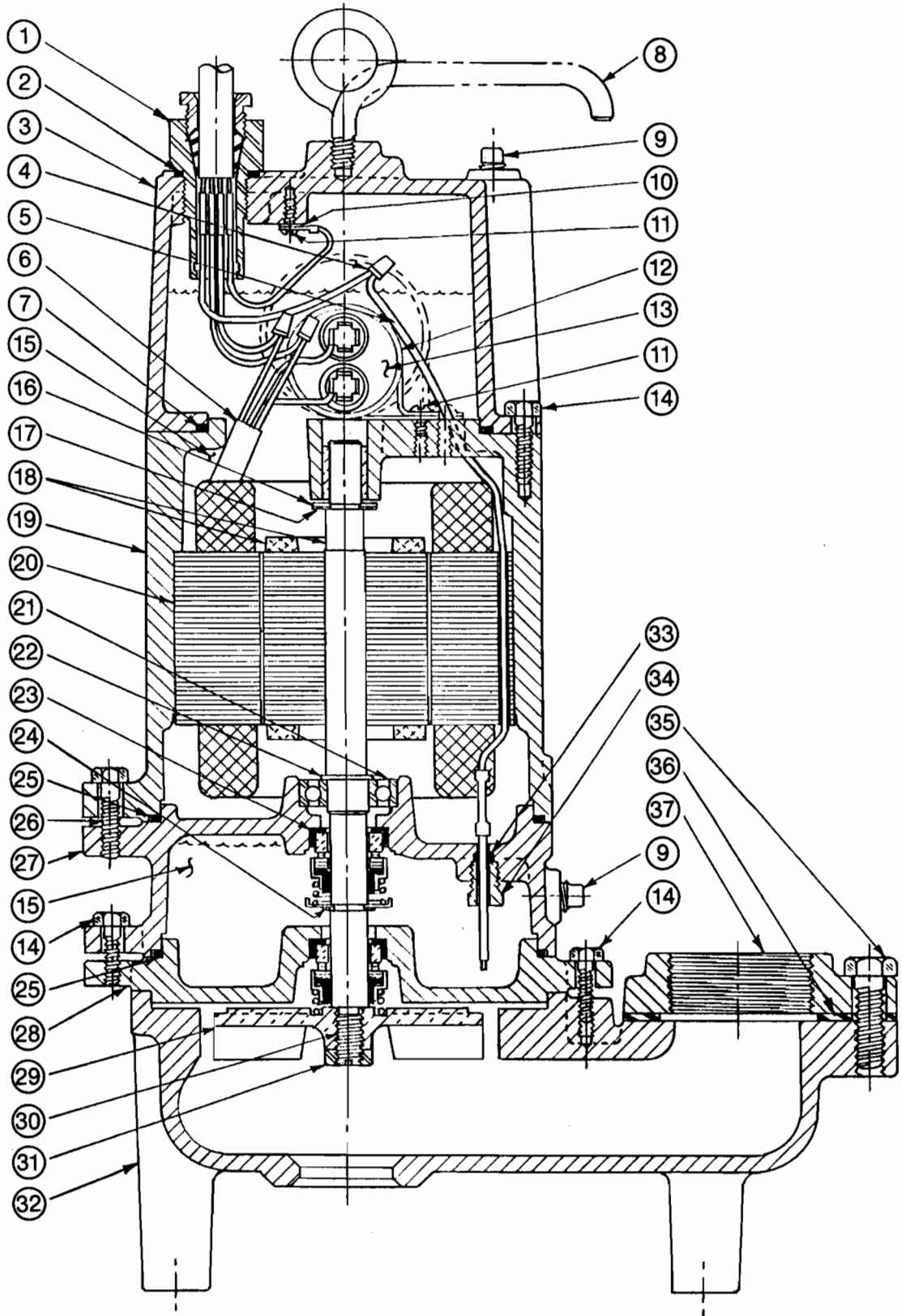
WHRH-DS Parts List

Ref. No.	Description	No. Req'd.	Part Number
1	Fitting & Cord	1	See Chart
2	Ring "O", 1 $\frac{3}{8}$ × 1 $\frac{1}{8}$ × 1 $\frac{1}{8}$	1	05876A013
3	Housing, Capacitor	1	21648C000
4	Connector, Solderless	$\frac{3}{3/6}$	15781A001
5	Electrode (Seal Leak Detector)	1	21792A001
6	Tube, Plastic	1	10649A124
7	Gasket, Tetraseal, 4 $\frac{1}{2}$ × 4 $\frac{1}{4}$ × 1 $\frac{1}{8}$	1	05014A173
8	Handle	1	21649A000
9	Plug, 1 $\frac{1}{4}$ " Pipe	2	05022A009
10	Lockwasher, #10	1	06107A015
11	Screw, Mach. #10 × 3 $\frac{3}{8}$ "	$\frac{2}{3/6}$	05434A043
12	Clip, Capacitor,	1	20333A005
		1	20333A004
13	Capacitor	1	23839A000
		1	23838A000
14	Screw, Cap, 5 $\frac{1}{16}$ × 1"	11	19100A029
15	Oil, Transformer (5 Gal. in Can)	.825 Gal.	11009A006
16	Washer, Teflon, 1 $\frac{1}{2}$ × 1 × 1 $\frac{1}{16}$	1	05030A163
17	Washer, Thrust, 1 $\frac{1}{2}$ × 1 × 1 $\frac{1}{32}$	1	05030A173
18	Rotor with Shaft	1	See Chart
	Shaft Only (For All HP Sizes)	1	21653B002
—	Housing with Stator	1	See Chart
19	Housing, Motor	1	21790D001
20	Stator	1	See Chart

Ref. No.	Description	No. Req'd.	Part Number
21	Bearing, Ball	1	08565A013
22	Ring, Retaining	1	12558A021
23	Seal, 5 $\frac{1}{8}$ Shaft	2	22447A020
24	Ring, Retaining	1	12558A022
25	Gasket, Tetraseal, 6 $\frac{1}{8}$ × 5 $\frac{7}{8}$ × 1 $\frac{1}{8}$	2	05014A174
26	Screw, Cap, 5 $\frac{1}{16}$ × 1 $\frac{1}{4}$	4	19100A012
27	Housing, Upper Seal	1	23715D000
28	Plate, Seal Housing	1	21662C001
29	Impeller	1	See Chart
30	Lubricant, Never Seez, NSBT-8	1	22386A000
31	Nut, Hex, 7 $\frac{1}{16}$ -20 UNF	1	19109A070
32	Case, Volute	1	22441D000
33	Ferrule, Rubber, .312 O.D. × .265	1	12619A001
33A	Wire, Plug, 12 Ga. × 3" (L/D Series)	1	05928A644
34	Plug, Special	1	21577A000
35	Screw, Cap, 1 $\frac{1}{2}$ × 1 $\frac{1}{2}$	2	19103A043
36	Gasket, Adapter	1	21661A000
37	Plate, Adapter, 2" NPT	1	21660B000
	(Option.) Plate, Adapter, 3" NPT	1	21907B001
	Plate, Name (Not Stamped)	$\frac{1}{3}$	21598A000 22718A000
	Screw, Drive	2	05160A004
	Tip, Crutch, 1 $\frac{1}{8}$ Dia.	3	21819A000
	Eye Bolt, 3 $\frac{3}{8}$ -16 × 1" Eye	1	21929A002

Pump Catalog Nos.	Fitting & Cord (1)	Rotor with Shaft (18)	Rotor Only	Housing with Stator	Stator Only (20)	Impellers (29)
WHRH5-11-DS	21533A009	21652B020	21654C209B	21790D265K	21656C016	22439C002
WHRH5-01-DS	21533A009	21652B021	21654C207B	21790D270K	21656C017	22439C002
WHRH5-21-DS	21533A009	21652B021	21654C207B	21790D275K	21656C018	22439C002
WHRH5-11-DS L/D	21533A018	21652B020	21654C209B	21790D265K	21656C016	22439C002
WHRH5-01-DS L/D	21533A018	21652B021	21654C207B	21790D270K	21656C017	22439C002
WHRH5-21-DS L/D	21533A018	21652B021	21654C207B	21790D275K	21656C018	22439C002
WHRH5-03-DS L/D	21533A006	21652B023	21654C210B	21790D280K	21656C021	22439C002
WHRH5-23-DS L/D	21533A006	21652B023	21654C210B	21790D285K	21656C022	22439C002
WHRH5-43-DS L/D	21533A006	21652B023	21654C210B	21790D285K	21656C022	22439C002
WHRH5-53-DS L/D	21533A006	21652B023	21654C210B	21790D290K	21656C023	22439C002
WHRH10-01-DS	21533A009	21652B022	21654C206B	21790D295K	21656C019	22439C001
WHRH10-21-DS	21533A009	21652B022	21654C206B	21790D300K	21656C020	22439C001
WHRH10-01-DS L/D	21533A018	21652B022	21654C206B	21790D295K	21656C019	22439C001
WHRH10-21-DS L/D	21533A018	21652B022	21654C206B	21790D300K	21656C020	22439C001
WHRH10-03-DS L/D	21533A006	21652B024	21654C211B	21790D305K	21656C024	22439C001
WHRH10-23-DS L/D	21533A006	21652B024	21654C211B	21790D310K	21656C025	22439C001
WHRH10-43-DS L/D	21533A006	21652B024	21654C211B	21790D310K	21656C025	22439C001
WHRH10-53-DS L/D	21533A006	21652B024	21654C211B	21790D315K	21656C026	22439C001
WHRH20-01-DS	21533A009	21652B022	21654C206B	21790D320K	21656C015	22439C000
WHRH20-21-DS	21533A009	21652B022	21654C206B	21790D325K	21656C014	22439C000
WHRH20-01-DS L/D	21533A018	21652B022	21654C206B	21790D320K	21656C015	22439C000
WHRH20-21-DS L/D	21533A018	21652B022	21654C206B	21790D325K	21656C014	22439C000
WHRH20-03-DS L/D	21533A006	21652B025	21572C201B	21790D330K	21573C001	22439C000
WHRH20-23-DS L/D	21533A006	21652B025	21572C201B	21790D335K	21573C002	22439C000
WHRH20-43-DS L/D	21533A006	21652B025	21572C201B	21790D335K	21573C002	22439C000
WHRH20-53-DS L/D	21533A006	21652B025	21572C201B	21790D340K	21573C003	22439C000

WHRH-DS Parts List



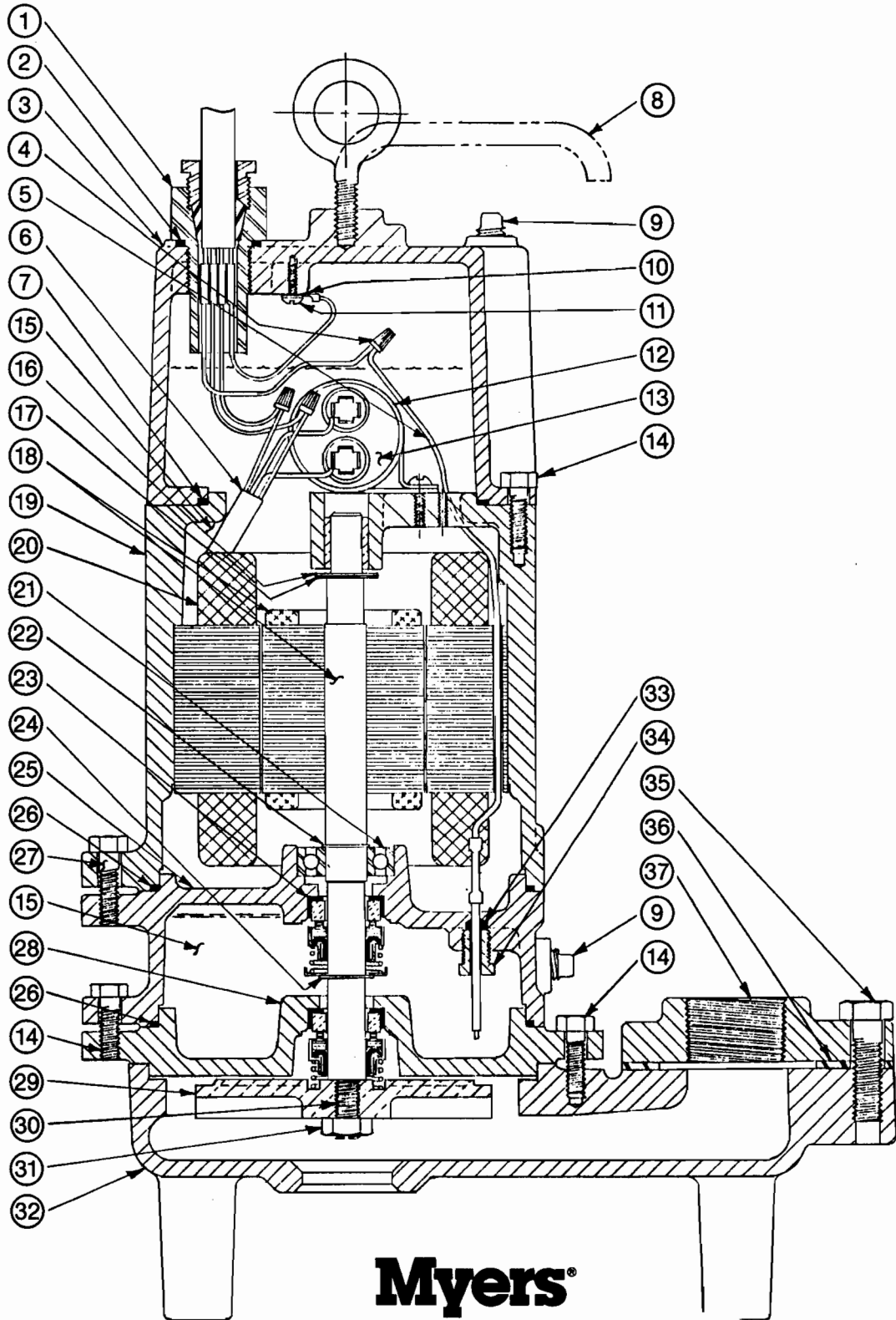
WHRE-DS Parts List

Ref. No.	Description	No. Req'd.	Part Number
1	Fitting & Cord	1	See Chart
2	Ring "O", 1 ³ / ₈ × 1 ¹ / ₈ × 1/8	1	05876A013
3	Housing, Capacitor	1	21648C000
4	Connector, Solderless	<small>1 Phase 3 Phase</small> 3 3/8	15781A001
5	Electrode (Seal Leak Detector)	1	21792A001
6	Tube, Plastic	1	10649A124
7	Gasket, Tetraseal, 4 ¹ / ₂ × 4 ¹ / ₄ × 1/8	1	05014A173
8	Handle	1	21649A000
9	Plug, 1/4" Pipe	2	05022A009
10	Lockwasher, #10	1	06107A015
11	Screw, Mach. #10 × 3/8"	<small>1 Phase 3 Phase</small> 2 1	05434A043
12	Clip, Capacitor,	<small>1 Phase Only 115V-2 1/2 Dia. 1 Phase Only 200/230V-1 1/4 Dia.</small> 1 1	20333A005 20333A004
13	Capacitor	<small>1 Phase Only 115V-2 1/2 Dia. 1 Phase Only 200/230V-1 1/4 Dia.</small> 1 1	23839A000 23838A000
14	Screw, Cap, 5/16 × 1"	11	19100A029
15	Oil, Transformer (5 Gal. in Can)	<small>625 Gal.</small>	11009A006
16	Washer, Teflon, 1/2 × 1 × 1/16	1	05030A163
17	Washer, Thrust, 1/2 × 1 × 1/32	1	05030A173
18	Rotor with Shaft	1	See Chart
	Shaft Only (For All HP Sizes)	1	21653B002
—	Housing with Stator	1	See Chart
19	Housing, Motor	1	21790D001
20	Stator	1	See Chart

Ref. No.	Description	No. Req'd.	Part Number
21	Bearing, Ball	1	08565A013
22	Ring, Retaining	1	12558A021
23	Seal, 5/8 Shaft	2	22447A020
24	Ring, Retaining	1	12558A022
25	Gasket, Tetraseal, 6 ¹ / ₈ × 5 ⁷ / ₈ × 1/8	2	05014A174
26	Screw, Cap, 5/16 × 1 ¹ / ₄	4	19100A012
27	Housing, Upper Seal	1	23715D000
28	Plate, Seal Housing	1	21662C001
29	Impeller	1	See Chart
30	Lubricant, Never Seez, NSBT-8	1	22386A000
31	Nut, Hex, 7/16-20 UNF	1	19109A070
32	Case, Volute	1	22513D000
33	Ferrule, Rubber, .312 O.D. × .265	1	12619A001
33A	Wire, Plug, 12 Ga. × 3" (L/D Series)	1	05928A644
34	Plug, Special	1	21577A000
35	Screw, Cap, 1/2 × 1 ¹ / ₂	2	19103A043
36	Gasket, Adapter	1	21661A000
37	Plate, Adapter, 2" NPT	1	21660B000
	(Option.) Plate, Adapter, 3" NPT	1	21907B001
	Plate, Name (Not Stamped)	<small>1 Phase 3 Phase</small> 1 1	<small>21598A000 22719A000</small>
	Screw, Drive	2	05160A004
	Tip, Crutch, 1 ¹ / ₈ Dia.	3	21819A000
	Eye Bolt, 3/8-16 × 1" Eye	1	21929A002

Pump Catalog Nos.	Fitting & Cord (1)	Rotor with Shaft (18)	Rotor Only	Housing with Stator	Stator Only (20)	Impellers (29)
WHRE5-11-DS	21533A009	21652B020	21654C209B	21790D265K	21656C016	22512C002
WHRE5-01-DS	21533A009	21652B021	21654C207B	21790D270K	21656C017	22512C002
WHRE5-21-DS	21533A009	21652B021	21654C207B	21790D275K	21656C018	22512C002
WHRE5-11-DS L/D	21533A018	21652B020	21654C209B	21790D265K	21656C016	22512C002
WHRE5-01-DS L/D	21533A018	21652B021	21654C207B	21790D270K	21656C017	22512C002
WHRE5-21-DS L/D	21533A018	21652B021	21654C207B	21790D275K	21656C018	22512C002
WHRE5-03-DS L/D	21533A006	21652B023	21654C210B	21790D280K	21656C021	22512C002
WHRE5-23-DS L/D	21533A006	21652B023	21654C210B	21790D285K	21656C022	22512C002
WHRE5-43-DS L/D	21533A006	21652B023	21654C210B	21790D285K	21656C022	22512C002
WHRE5-53-DS L/D	21533A006	21652B023	21654C210B	21790D290K	21656C023	22512C002
WHRE10-01-DS	21533A009	21652B022	21654C206B	21790D295K	21656C019	22512C001
WHRE10-21-DS	21533A009	21652B022	21654C206B	21790D300K	21656C020	22512C001
WHRE10-01-DS L/D	21533A018	21652B022	21654C206B	21790D295K	21656C019	22512C001
WHRE10-21-DS L/D	21533A018	21652B022	21654C206B	21790D300K	21656C020	22512C001
WHRE10-03-DS L/D	21533A006	21652B024	21654C211B	21790D305K	21656C024	22512C001
WHRE10-23-DS L/D	21533A006	21652B024	21654C211B	21790D310K	21656C025	22512C001
WHRE10-43-DS L/D	21533A006	21652B024	21654C211B	21790D310K	21656C025	22512C001
WHRE10-53-DS L/D	21533A006	21652B024	21654C211B	21790D315K	21656C026	22512C001
WHRE20-01-DS	21533A009	21652B022	21654C206B	21790D320K	21656C015	22512C000
WHRE20-21-DS	21533A009	21652B022	21654C206B	21790D325K	21656C014	22512C000
WHRE20-01-DS L/D	21533A018	21652B022	21654C206B	21790D320K	21656C015	22512C000
WHRE20-21-DS L/D	21533A018	21652B022	21654C206B	21790D325K	21656C014	22512C000
WHRE20-03-DS L/D	21533A006	21652B025	21572C201B	21790D330K	21573C001	22512C000
WHRE20-23-DS L/D	21533A006	21652B025	21572C201B	21790D335K	21573C002	22512C000
WHRE20-43-DS L/D	21533A006	21652B025	21572C201B	21790D335K	21573C002	22512C000
WHRE20-53-DS L/D	21533A006	21652B025	21572C201B	21790D340K	21573C003	22512C000

WHRE-DS Parts List



Myers®

F. E. Myers,

1101 Myers Parkway, Ashland, Ohio 44805-1923 • 419/289-1144 • Telex 98-7443 • FAX 419-289-6658