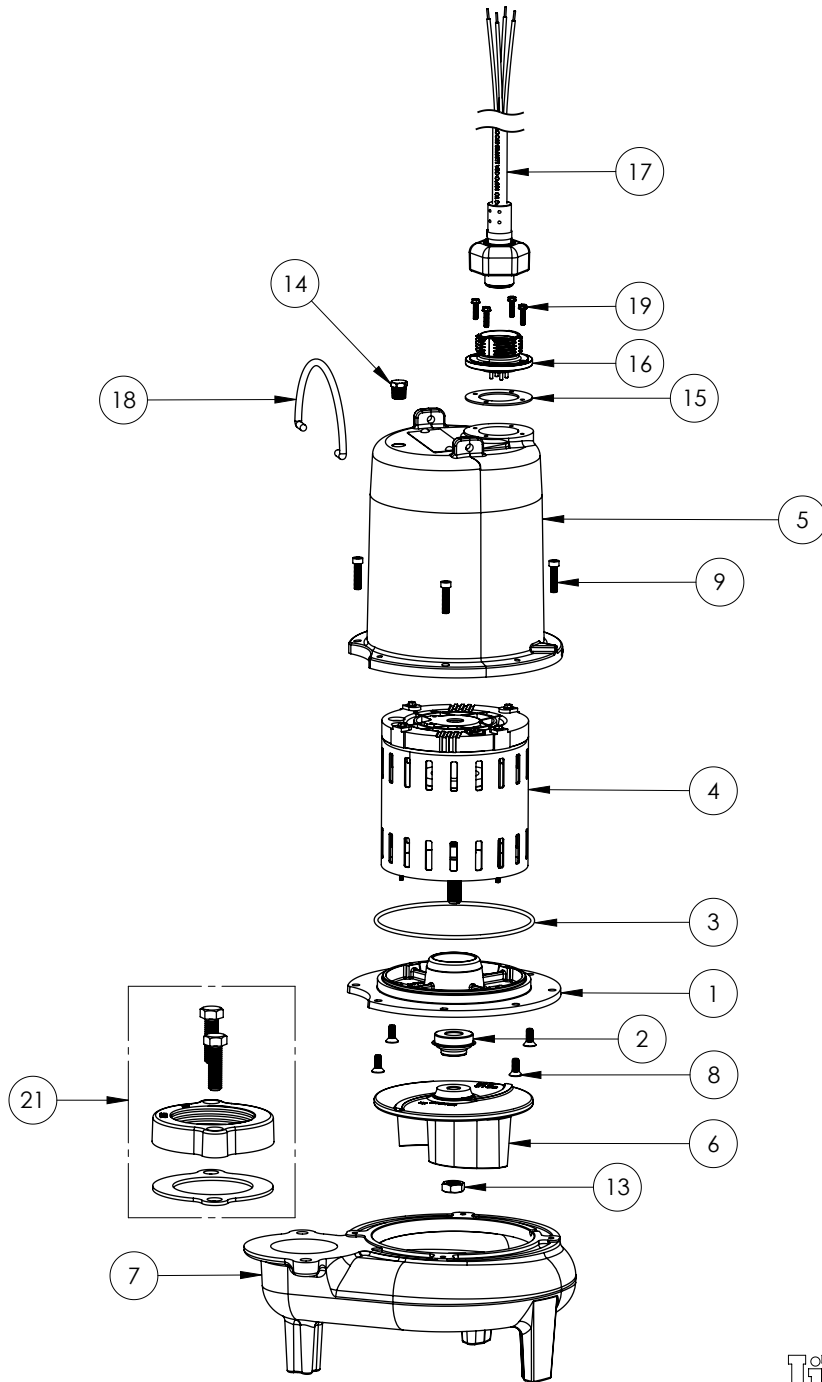


LE73M3-2 (B62)



**LE73M3-2****LE73M3-2 (B62)**

| #  | PART #  | DESCRIPTION                                    | QTY | Note |
|----|---------|--|-----|------|
| 1  | 53260BR | MOTOR SUPPORT PLATE                            | 1   |      |
| 2  | K001717 | KIT, 5/8 UNITIZED 5120000 AND LIP SEAL 5860000 | 1   |      |
| 3  | 5617000 | O-RING   | 1   |      |
| 4  | 5331000 | MOTOR (KIT, MTR REPLACE K001862)               | 1   | [1]  |
| 5  | 531400R | MOTOR COVER                                    | 1   | [1]  |
| 6  | 5130000 | IMPELLER, CAST IRON                            | 1   |      |
| 7  | 531500R | VOLUTE HOUSING                                 | 1   |      |
| 8  | 8018000 | 1/4-20 x 5/8 SLOTTED FLAT HEAD BOLT            | 4   |      |
| 9  | 8091000 | 1/4-20 x 1 HEX SOCKET HEAD BOLT                | 4   |      |
| 13 | 8046000 | 1/2-20 HEX STAINLESS STEEL JAM NUT             | 1   |      |
| 14 | 5071000 | BRASS OIL PLUG                                 | 1   |      |
| 15 | 5060000 | CORD PLATE GASKET                              | 1   |      |
| 16 | 5629000 | CORDPLATE                                      | 1   |      |
| 17 | K001357 | POWER CORD, 25FT                               | 1   |      |
| 18 | K001095 | STAINLESS STEEL HANDLE                         | 1   |      |
| 19 | 8064000 | #8-32 x 5/8 HEX WASHER HEAD SCREW              | 4   |      |
| 21 | K001222 | 3" DISCHARGE KIT                               | 1   |      |

**PART NOTES:**

[1] - Part requires factory authorized service. Contact Liberty Pumps at 1-800-543-2550