

# PRODUCT INFORMATION PACKET

Model No: 5K33KN52  
Catalog No: K283  
1/3, 1800, TENV, 48, 3/60/230/460  
Fan and Blower



Regal and Marathon are trademarks of Regal Beloit Corporation or one of its affiliated companies.  
©2018 Regal Beloit Corporation, All Rights Reserved. MC017097E

**Product Information Packet: Model No: 5K33KN52, Catalog No:K283 1/3,1800,TENV,48,3/60/230/460**

**Nameplate Specifications**

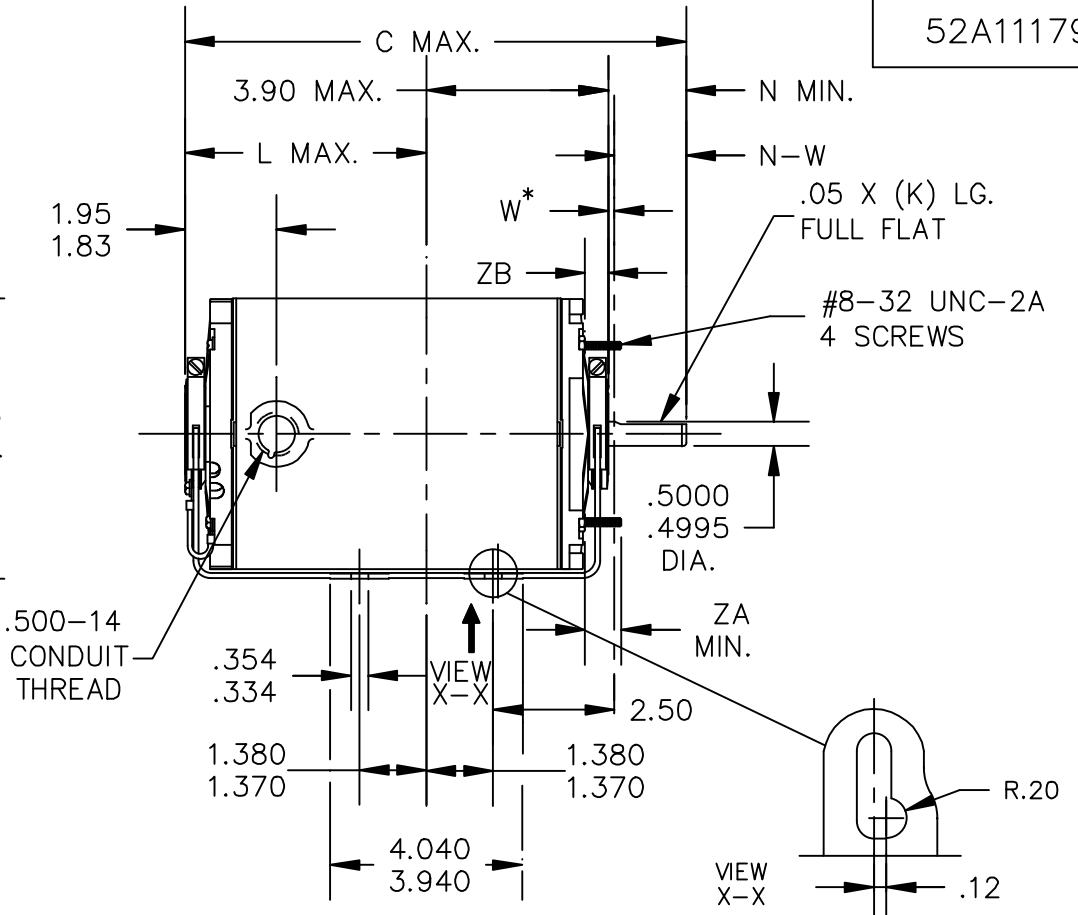
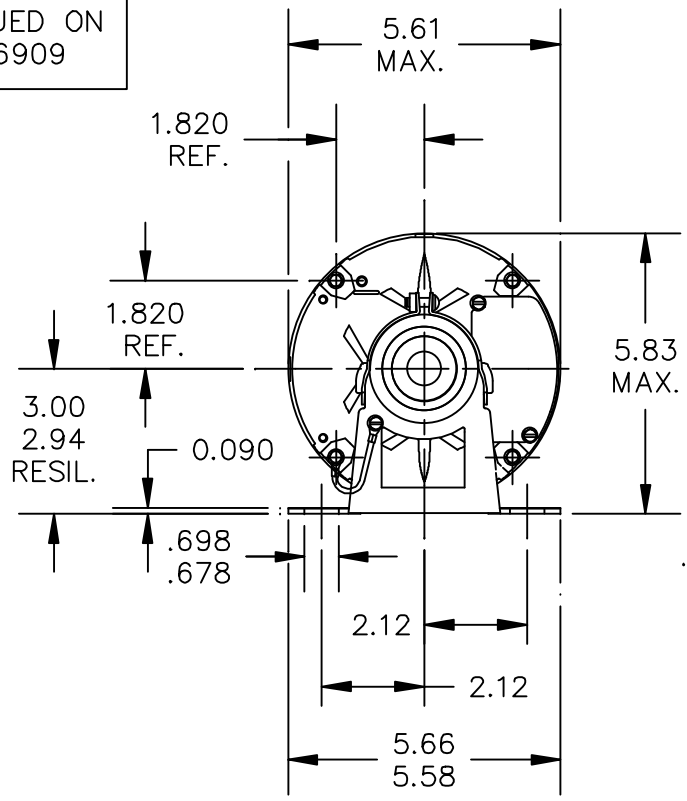
Output HP	<b>1/3 Hp</b>	Output KW	<b>0.25 kW</b>
Frequency	<b>60 Hz</b>	Voltage	<b>230/460 V</b>
Current	<b>1.5,0.8 A</b>	Speed	<b>1725 rpm</b>
Service Factor	<b>1.35</b>	Phase	<b>3</b>
Efficiency	<b>66.2 %</b>	Duty	<b>Continuous</b>
Insulation Class	<b>B</b>	KVA Code	<b>L</b>
Frame	<b>48</b>	Enclosure	<b>Totally Enclosed Non Ventilated</b>
Overload Protector	<b>N/R</b>	Ambient Temperature	<b>40 °C</b>
Drive End Bearing Size	<b>6203</b>	Opp Drive End Bearing Size	<b>6203</b>
UL	<b>Recognized</b>	CSA	<b>Yes</b>
CE	<b>N</b>		

**Technical Specifications**

Electrical Type	<b>Three Phase</b>	Starting Method	<b>N/R</b>
Poles	<b>4</b>	Rotation	<b>Counterclockwise/Clockwise</b>
Mounting	<b>Resilient Base</b>	Motor Orientation	<b>ANY</b>
Drive End Bearing	<b>BALL</b>	Opp Drive End Bearing	<b>BALL</b>
Frame Material	<b>Rolled Steel</b>	Overall Length	<b>9.19 in</b>
Frame Length	<b>5.41 in</b>	Shaft Diameter	<b>0.5 in</b>
Shaft Extension	<b>1.5 in</b>	Thru-bolts Extension	<b>0</b>
Outline Drawing	<b>52A111799P2</b>	Connection Diagram	<b>113A930FIG2</b>

**This is an uncontrolled document once printed or downloaded and is subject to change without notice. Date Created: 10/08/2018**

CONTINUED ON  
52A106909



7	K	36	48Z	10.50	1.66	4.65	2.00	2.13/1.91	.55/.52	.62
6	KH	32	48	8.94	1.16	3.59	1.50	1.63/1.41	.55/.52	1.31
5	KH	37	48	10.40	1.16	5.05	1.50	1.63/1.41	.55/.52	.62
4	KH	36	48	10.00	1.16	4.65	1.50	1.63/1.41	.55/.52	.62
3	KH	35	48	9.57	1.16	4.22	1.50	1.63/1.41	.55/.52	.62
2	KH	33	48	9.19	1.16	3.84	1.50	1.63/1.41	.55/.52	.62
1	KH	32	48	8.94	1.16	3.59	1.50	1.63/1.41	.55/.52	.62

P	TYPE	RBC SIZE	NEMA FR	C	K	L	N	N-W	ZB	ZA
---	------	----------	---------	---	---	---	---	-----	----	----

.500-14  
CONDUIT  
THREAD

W\* IS A CLEARANCE DUE TO VARIATION IN PARTS AND ASSEMBLY.

				TOLERANCES UNLESS SPECIFIED		<b>REGAL-BELOIT CORPORATION</b>		DRAWN BM 10/11/07			
				DEC.	INCHES			CHK			
				.X	±0.1	TITLE		APPD PKG 10/11/07			
				.XX	±0.02			SCALE 1=1			
01	CHG GD LD FROM 4:30 TO 7:30 PER IS11-0510 & REDRAWN IN DRAFT SIGHT.			UD	09/24/12	PKG	.XXX	±0.005	REF		
				.XXXX	±0.0005	MAT'L.		FMF			
NO.	REVISION			BY & DATE	CHK	ANG	±1.0	FINISH	PREV		
THIS DRAWING IN DESIGN AND DETAIL IS OUR PROPERTY AND MUST NOT BE USED EXCEPT IN CONNECTION WITH OUR WORK ALL RIGHTS OF DESIGN AND INVENTION ARE RESERVED THIS IS AN ELECTRONICALLY GENERATED DOCUMENT - DO NOT SCALE THIS PRINT				RFP	CAD FILE			52A111799	SIZE	DRAWING NO.	REV.
				DIST				A	52A111799	01	

REVISIONS

REV.	DESCRIPTION	DATE	APPROVED
1	CHG TO RBC FORMAT PER IS05-1777	06/15/06	MADHU
2	RENAMED 113A930_FIG-2 TO 113A930FIG2 PER IS07-0972	05/08/07	MADHU

This document is the property of REGAL-BELOIT CORPORATION ("RBC") including its subsidiaries and divisions and contains proprietary information of RBC. This document is loaned on the express condition that neither the recipient nor any other person shall be permitted to disclose or disseminate the information contained herein without the express written consent of RBC. This document shall be returned to RBC upon its request. This document may be subject to certain restrictions under U.S. export control laws and regulations.

THIRD ANGLE PROJECTION

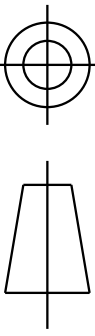
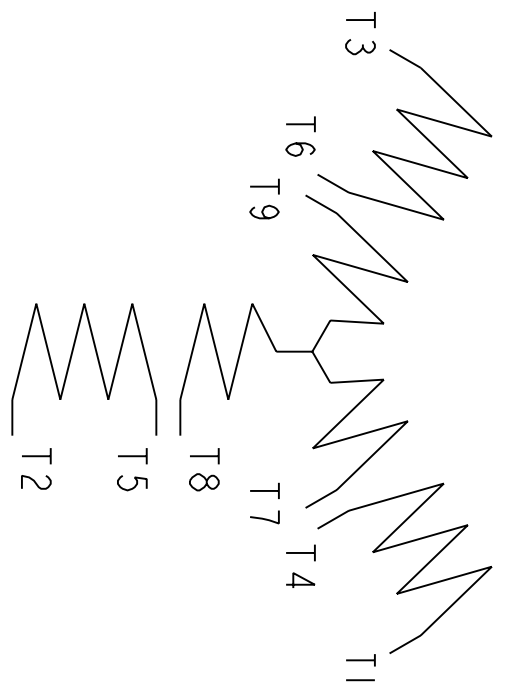


FIG. 2

3 PHASE



	VOLTS	L1	L2	L3	TOGETHER
2Y	LOW	1-7	2-8	3-9	4-5-6
1Y	HIGH	1	2	3	4-7, 5-8, 6-9

BRAKE MOTORS : CONNECT BRAKE LEADS B1 & B2 TO MOTOR LEADS T7 & T8.

FOR ADDITIONAL INFO REFER TO:	SIGNATURES	DATE
APPLIED PRACTICES	M.D. PAPE	02/23/03
DIMENSIONS ARE IN INCHES	DETAIL	.
TOLERANCE ON:	CHECKED	.
1 PL DECIMALS ± 0.1	ENGRG	.
2 PL DECIMALS ± 0.02	MFG	.
3 PL DECIMALS ± 0.005	QUALITY	.
ANGLES ± 1.0	ISSUED	M.D. PAPE
FRACTIONS ±	FINISH	02/23/03
MATERIAL	SOLID MODEL: 113A930F162	



REGAL-BELOIT CORPORATION

CONNECTION DIAGRAM

TITLE	SIZE	DRAWING	REV
	A		2
SCALE: 1.000	REF. No:		
			SHEET 1 of 1