

# PRODUCT INFORMATION PACKET

Model No: 5K35FN55  
Catalog No: KG215  
1/3,3600,DP,56C,3/60/208-230/460  
Three Phase



Regal and Marathon are trademarks of Regal Beloit Corporation or one of its affiliated companies.

©2018 Regal Beloit Corporation, All Rights Reserved. MC017097E



**Nameplate Specifications**

Output HP	<b>1/3 Hp</b>	Output KW	<b>0.25 kW</b>
Frequency	<b>60 Hz</b>	Voltage	<b>208-230/460 V</b>
Current	<b>1.5-1.8,0.9 A</b>	Speed	<b>3450 rpm</b>
Service Factor	<b>1.75</b>	Phase	<b>3</b>
Efficiency	<b>61 %</b>	Duty	<b>Continuous</b>
Insulation Class	<b>B</b>	KVA Code	<b>P</b>
Frame	<b>56C</b>	Enclosure	<b>Drip Proof</b>
Overload Protector	<b>N/R</b>	Ambient Temperature	<b>40 °C</b>
Drive End Bearing Size	<b>6203</b>	Opp Drive End Bearing Size	<b>6203</b>
UL	<b>Recognized</b>	CSA	<b>Yes</b>
CE	<b>N</b>	IP Code	<b>22</b>

**Technical Specifications**

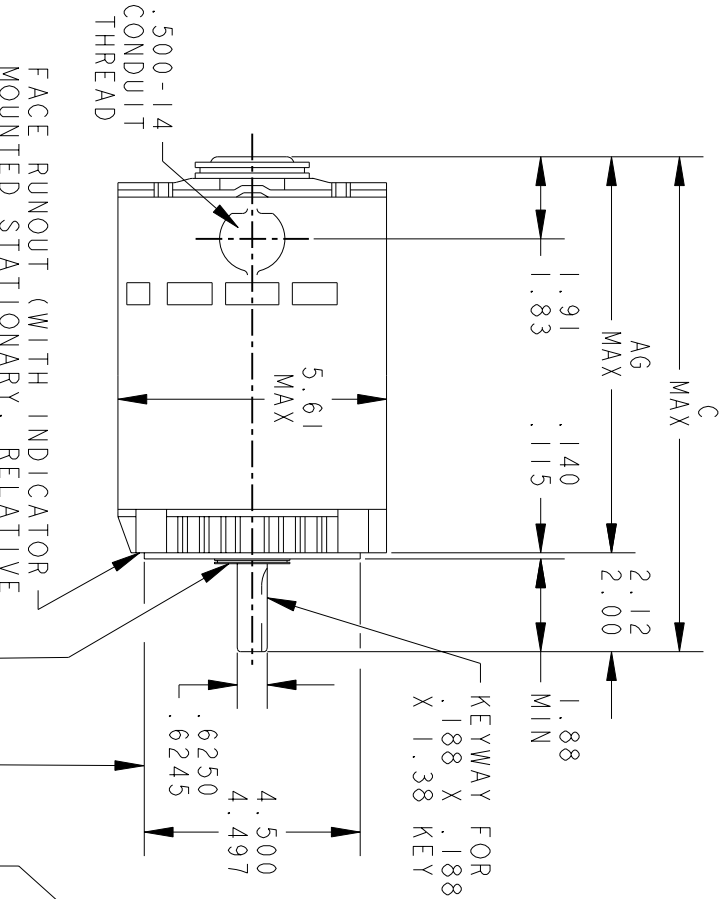
Electrical Type	<b>Three Phase</b>	Starting Method	<b>N/R</b>
Poles	<b>2</b>	Rotation	<b>Counterclockwise/Clockwise</b>
Mounting	<b>Round</b>	Motor Orientation	<b>ANY</b>
Drive End Bearing	<b>LOCKED</b>	Opp Drive End Bearing	<b>BALL</b>
Frame Material	<b>Rolled Steel</b>	Overall Length	<b>9.9 in</b>
Frame Length	<b>5.79 in</b>	Shaft Diameter	<b>0.63 in</b>
Shaft Extension	<b>1.88 in</b>	Thru-bolts Extension	<b>0</b>
Outline Drawing	<b>52A102321P3</b>	Connection Diagram	<b>113A930FIG2</b>

**This is an uncontrolled document once printed or downloaded and is subject to change without notice. Date Created: 10/08/2018**

THIRD ANGLE PROJECTION



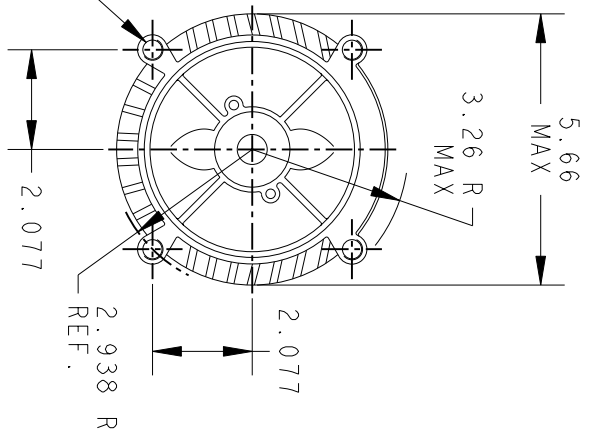
REVISIONS		DESCRIPTION	DATE	APPROVED
8	REV.	REDRAWN NO CHANGE T196-22390	9/9/96	MDP
9	REV.	CHG MADE AS PER IS05-3049	11/30/05	GOVARDAN



FACE RUNOUT (WITH INDICATOR MOUNTED STATIONARY, RELATIVE TO SHAFT) MUST NOT EXCEED .004 TIR

WATER SLINGER (WHEN SPECIFIED)

ECCENTRICITY OF THIS SURFACE (WITH INDICATOR MOUNTED STATIONARY RELATIVE TO SHAFT) MUST NOT EXCEED .004 TIR



PT	TYPE	GE SIZE	NEMA FR	C	AG	SHELL REF	PT	TYPE	GE SIZE	NEMA FR	C	AG	SHELL REF
4	KC	36	56C	10.31	8.21	8	KC	KC	39	56C	12.58	10.49	8.50
3	KC	35	56C	9.88	7.78	7	KC	KC	39	56C	11.84	9.74	7.75
2	KC	33	56C	9.50	7.40	6	KC	KC	38	56C	11.31	9.21	
1	KC	32	56C	9.25	7.15	5	KC	KC	37	56C	10.71	8.61	



REGAL-BELOIT CORPORATION

TITLE

FORM N JET PUMP MOTOR-DRIP PROOF  
R2 END MOUNTED - SLEEVE & BALL BEARING

52A102321

FOR ADDITIONAL INFO REFER TO:	MFG	ISSUED	QUALITY	MDP
APPLIED PRACTICES	CHECKED	ENGRG	DATE	9/19/96
DIMENSIONS ARE IN INCHES	SIGNATURES	MODEL	DATE	04/25/17
MATERIAL	DETAIL	JPK		
	ISSUED	MDP		
	SOLID MODEL: 52A102321			

SCALE: 1.000	REF. No.:	SHEET 1 of 1
--------------	-----------	--------------

REVISIONS

REV.	DESCRIPTION	DATE	APPROVED
1	CHG TO RBC FORMAT PER IS05-1777	06/15/06	MADHU
2	RENAMED 113A930_FIG-2 TO 113A930FIG2 PER IS07-0972	05/08/07	MADHU

This document is the property of REGAL-BELOIT CORPORATION ("RBC") including its subsidiaries and divisions and contains proprietary information of RBC. This document is loaned on the express condition that neither the recipient nor any other person shall be permitted to disclose or disseminate the information contained herein without the express written consent of RBC. This document shall be returned to RBC upon its request. This document may be subject to certain restrictions under U.S. export control laws and regulations.

THIRD ANGLE PROJECTION

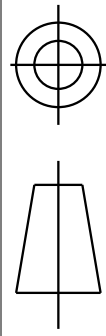
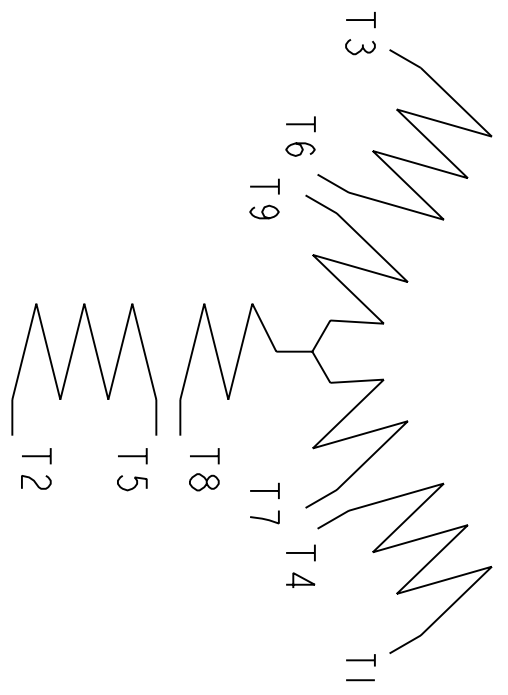


FIG. 2

3 PHASE



	VOLTS	L1	L2	L3	TOGETHER
2Y	LOW	1-7	2-8	3-9	4-5-6
1Y	HIGH	1	2	3	4-7, 5-8, 6-9

BRAKE MOTORS : CONNECT BRAKE LEADS B1 & B2 TO MOTOR LEADS T7 & T8.

FOR ADDITIONAL INFO REFER TO:

APPLIED PRACTICES	SIGNATURES	DATE
DIMENSIONS ARE IN INCHES	M.D. PAPE	02/23/03
DETAIL		
CHECKED		
ENGRG		
MFG		
QUALITY		
ISSUED	M.D. PAPE	02/23/03



REGAL-BELOIT CORPORATION

CONNECTION DIAGRAM

TOLERANCE ON:	FINISH
1 PL DECIMALS ± 0.1	✓
2 PL DECIMALS ± 0.02	
3 PL DECIMALS ± 0.005	
ANGLES ± 1.0	
FRACTIONS ±	
MATERIAL	SOLID MODEL: 113A930FIG2

TITLE	SIZE	DRAWING	SCALE	REF. No.	SHEET	REV
CONNECTION DIAGRAM	A	DRAWING	1.000		1 of 1	2