

PRODUCT INFORMATION PACKET

Model No: 5K35MNB114
Catalog No: K254
1/2, 1800, TEFC, 56C, 3/60/208-230/460
Totally Enclosed Fan Cooled (TEFC)



Regal and Marathon are trademarks of Regal Beloit Corporation or one of its affiliated companies.
©2018 Regal Beloit Corporation, All Rights Reserved. MC017097E



Nameplate Specifications

Output HP	0.50 Hp	Output KW	0.37 kW
Frequency	60 Hz	Voltage	208-230/460 V
Current	2.1-2.2,1.1 A	Speed	1725 rpm
Service Factor	1.25	Phase	3
Efficiency	76.1 %	Duty	Continuous
Insulation Class	B	KVA Code	K
Frame	56C	Enclosure	Totally Enclosed Fan Cooled
Overload Protector	N/R	Ambient Temperature	40 °C
Drive End Bearing Size	6203	Opp Drive End Bearing Size	6203
UL	Recognized	CSA	Yes
CE	N		

Technical Specifications

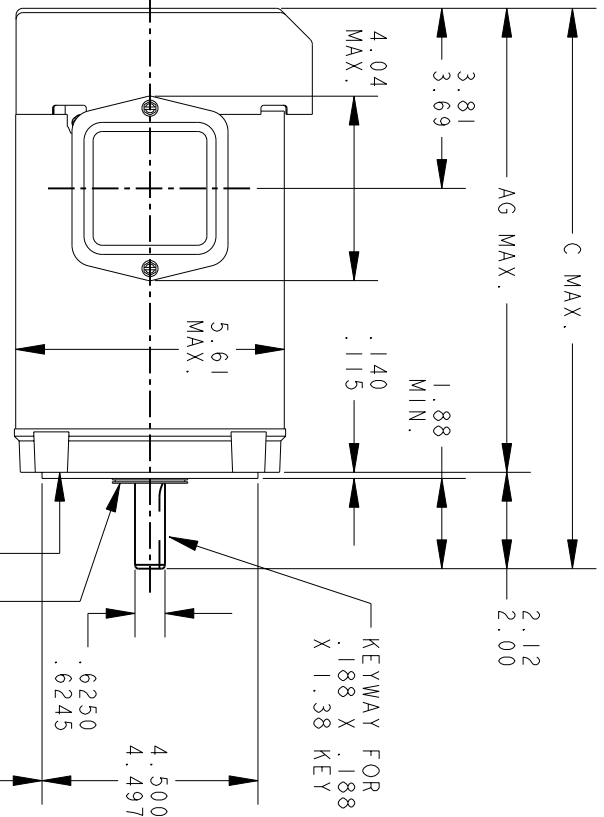
Electrical Type	Three Phase	Starting Method	N/R
Poles	4	Rotation	Counterclockwise/Clockwise
Mounting	Round	Motor Orientation	Any
Drive End Bearing	LOCKED	Opp Drive End Bearing	BALL
Frame Material	Rolled Steel	Overall Length	10.93 in
Frame Length	5.79 in	Shaft Diameter	0.630 in
Shaft Extension	1.88 in		
Outline Drawing	52A102407P3	Connection Diagram	113A930FIG2

This is an uncontrolled document once printed or downloaded and is subject to change without notice. Date Created: 06/29/2018

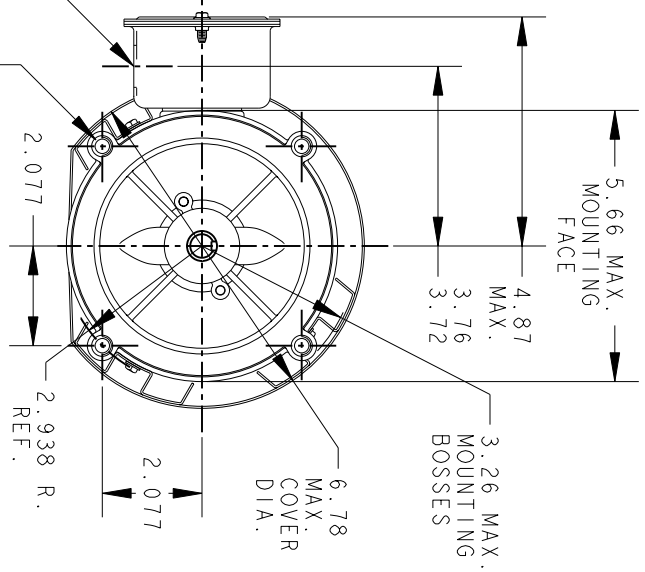
THIRD ANGLE PROJECTION



REV.	DESCRIPTION	DATE	APPROVED
3	REVISED AND REDRAWN	11/09/90	BLJ
4	MADE CHG AS PER IS05-1876	08/09/05	PRAVEEN.K
5	CHG TO RBC FORMAT PER IS05-1777	01/04/06	PRAVEEN.K



FACE RUNOUT (WITH INDICATOR MOUNTED STATIONARY RELATIVE TO SHAFT) MUST NOT EXCEED .004 T.I.R.
 WATER SLINGER (WHEN SPECIFIED)
 ECCENTRICITY OF THIS SURFACE (WITH INDICATOR MOUNTED STATIONARY RELATIVE TO SHAFT) MUST NOT EXCEED .004 T.I.R.



.375-16 UNC-2B (4 HOLES)
 .82 MIN. FULL THREAD. THESE HOLES FIT A GAGE HAVING A RABBIT 4.5005 DIA. AND 4 PINS .2917 DIA. LOCATED ON THE BASIC HOLE POSITIONS.

P	TYPE	GE SIZE	NEMA FR	C	AG
6	K	38	56C	12.36	10.28
5	K	37	56C	11.76	9.68
4	K	36	56C	11.36	9.28
3	K	35	56C	10.93	8.85
2	K	33	56C	10.55	8.47
1	K	32	56C	10.30	8.22

SIGNATURES		DATE
MODEL	H. OSBORNE	09/06/77
DETAIL		
CHECKED		
ENGRG		
MFG		
APPLIED PRACTICES	QUALITY	
DIMENSIONS ARE IN INCHES	ISSUED	B.L.J. 11/09/90
MATERIAL	SOLID MODEL: 52A102407	



REGAL-BELOTT CORPORATION

OUTLINE

TITLE
 GENERAL PURPOSE MOTOR - FORM N - TOTALLY ENCLOSED
 OUTBOARD FAN - R2 END MOUNT - BALL OR SLEEVE BEARING

52A102407 REV 5

SCALE: 0.250 REF. No.: SHEET 1 of 1

REVISIONS

REV.	DESCRIPTION	DATE	APPROVED
1	CHG TO RBC FORMAT PER IS05-1777	06/15/06	MADHU
2	RENAMED 113A930_FIG-2 TO 113A930FIG2 PER IS07-0972	05/08/07	MADHU

This document is the property of REGAL-BELOIT CORPORATION ("RBC") including its subsidiaries and divisions and contains proprietary information of RBC. This document is loaned on the express condition that neither the recipient nor any other person shall be permitted to disclose or disseminate the information contained herein and that the recipient shall return the original to RBC upon its request. This document shall be restricted to RBC upon its export control laws and regulations.

THIRD ANGLE PROJECTION

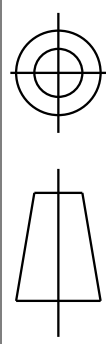
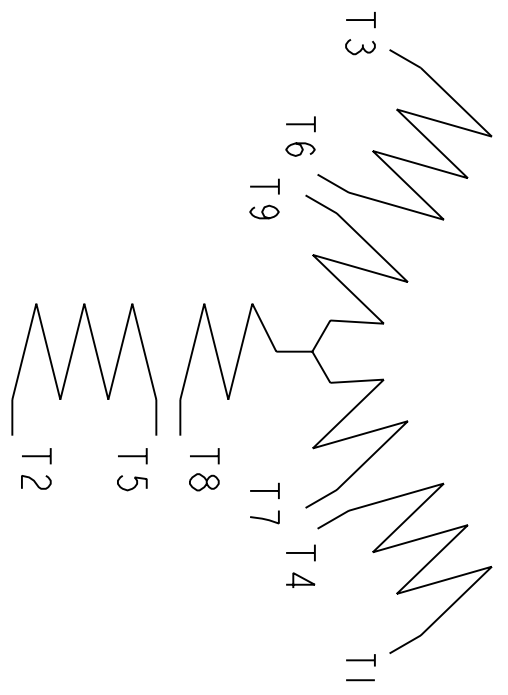


FIG. 2

3 PHASE



	VOLTS	L1	L2	L3	TOGETHER
2Y	LOW	1-7	2-8	3-9	4-5-6
1Y	HIGH	1	2	3	4-7, 5-8, 6-9

BRAKE MOTORS : CONNECT BRAKE LEADS B1 & B2 TO MOTOR LEADS T7 & T8.

FOR ADDITIONAL INFO REFER TO:

APPLIED PRACTICES	SIGNATURES	DATE
DIMENSIONS ARE IN INCHES	M.D. PAPE	02/25/03
DETAIL		
CHECKED		
ENGRG		
MFG		
QUALITY		
ISSUED	M.D. PAPE	02/25/03

TITLE

CONNECTION DIAGRAM



REGAL-BELOIT CORPORATION

TOLERANCE ON:	FINISH
1 PL DECIMALS ± 0.1	✓
2 PL DECIMALS ± 0.02	
3 PL DECIMALS ± 0.005	
ANGLES ± 1.0	
FRACTIONS ±	
MATERIAL	SOLID MODEL: 113A930FIG2

SIZE	DRAWING	SCALE	REF. No.	SHEET	REV
A		1.000		1 of 1	2

CERTIFICATION DATA SHEET

Model#: 5K35MNB114 WINDING#: ---
 CONN. DIAGRAM: - ASSEMBLY: -
 OUTLINE: -

TYPICAL MOTOR PERFORMANCE DATA

HP	KW	SYNC. RPM	F.L. RPM	FRAME	ENCLOSURE	KVA CODE	DESIGN
-	-	1800	-	-	-	-	-

PH	Hz	VOLTS	FL AMPS	START TYPE	DUTY	INSL	S.F	AMB°C	ELEVATION
-	-	208- 230/460#190/ 380	-	-	-	-	-	-	-

FULL LOAD EFF: -	3/4 LOAD EFF: 72	1/2 LOAD EFF: 66.4	GTD. EFF	ELEC. TYPE	NO LOAD AMPS
FULL LOAD PF: -	3/4 LOAD PF: 56.9	1/2 LOAD PF: 45.9	0	-	1.3 / .7

F.L. TORQUE	LOCKED ROTOR AMPS	L.R. TORQUE	B.D. TORQUE	F.L. RISE°C
24.3 LB-FT	10.7 / 5.4	90.6 LB-FT 373	102 LB-FT 420	-

SOUND PRESSURE @ 3 FT.	SOUND POWER	ROTOR WK^2	MAX. WK^2	SAFE STALL TIME	STARTS /HOUR	APPROX. MOTOR WGT
- dBA	- dBA	0 LB-FT^2	- LB-FT^2	10 SEC.	2	22 LBS.

***** SUPPLEMENTAL INFORMATION *****

DE BRACKET TYPE	ODE BRACKET TYPE	MOUNT TYPE	ORIENTATION	SEVERE DUTY	HAZARDOUS LOCATION	DRIP COVER	SCREENS	PAINT
-	-	-	-	-	-	FALSE	NONE	-

BEARINGS		GREASE	SHAFT TYPE	SPECIAL DE	SPECIAL ODE	SHAFT MATERIAL	FRAME MATERIAL
DE	OPE						
-	-	-	-	-	-	-	-
-	-	-	-	-	-	-	-

THERMO-PROTECTORS				THERMISTORS	CONTROL	SPACE /n HEATERS
THERMOSTATS	PROTECTORS	WDG RTDs	BRG RTDs			
-	-	-	-	-	FALSE	- VOLTS

If Inverter equals NONE, contact factory for further information

INVERTER TORQUE: -
INV. HP SPEED RANGE: -
ENCODER: -
- -
NONE - PPR
BRAKE: - NONE
- P/N NONE
- NONE
- FT-LB NONE V NONE Hz

*
N
O
T
E
S
*

DATE: 06/28/2017 05:41:05 AM
 FORM 3531 REV.3 02/07/99
 ** Subject to change without notice.