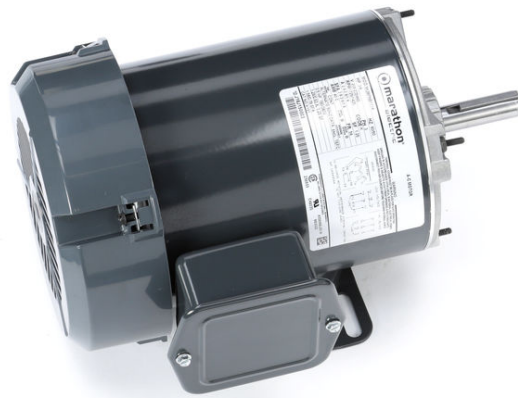


PRODUCT INFORMATION PACKET

Model No: 5K36PNB111
Catalog No: K161
3/4, 1800, TEFC, 56, 3/60/208-230/460
Totally Enclosed Fan Cooled (TEFC)



Regal and Marathon are trademarks of Regal Beloit Corporation or one of its affiliated companies.
©2018 Regal Beloit Corporation, All Rights Reserved. MC017097E



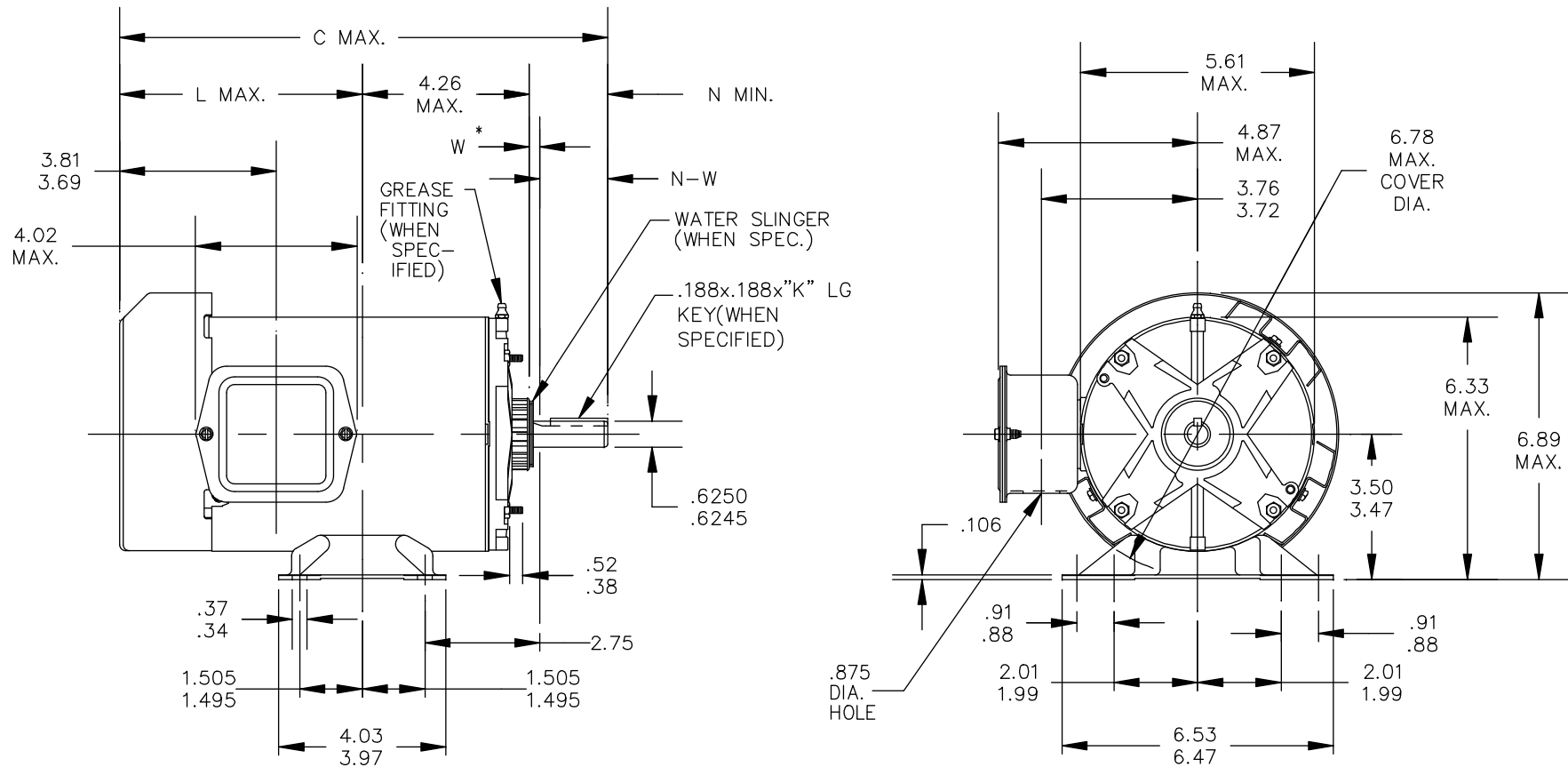
Nameplate Specifications

Output HP	3/4 Hp	Output KW	0.56 kW
Frequency	60 Hz	Voltage	208-230/460 V
Current	2.8-2.8,1.4 A	Speed	1725 rpm
Service Factor	1.25	Phase	3
Efficiency	77 %	Duty	Continuous
Insulation Class	B	Design Code	B
KVA Code	K	Frame	56
Enclosure	Totally Enclosed Fan Cooled	Overload Protector	N/R
Ambient Temperature	40 °C	Drive End Bearing Size	6203
Opp Drive End Bearing Size	6203	UL	Recognized
CSA	Yes	CE	N

Technical Specifications

Electrical Type	Three Phase	Starting Method	N/R
Poles	4	Rotation	Counterclockwise/Clockwise
Mounting	Rigid Base	Motor Orientation	ANY
Drive End Bearing	BALL	Opp Drive End Bearing	BALL
Frame Material	Rolled Steel	Overall Length	11.36 in
Frame Length	6.22 in	Shaft Diameter	0.63 in
Shaft Extension	1.88 in		
Outline Drawing	52A111202P1	Connection Diagram	113A930FIG2

This is an uncontrolled document once printed or downloaded and is subject to change without notice. Date Created: 10/08/2018



W * IS A CLEARANCE DUE TO VARIATION IN PARTS AND ASSEMBLY

1	K	KH	36	56	11.36	1.38	5.18	1.88	2.01/1.79	6.22
P	TYPE	RBC SIZE	NEMA FR.	C	K	L	N	N-W	SHELL LGTH.	

				TOLERANCES UNLESS SPECIFIED		DRAWN D.S 07/29/02			
				DEC.	INCHES	CHK			
				.X	±.1	APPD D.S 07/29/02			
				.XX	±.03	SCALE 3=8			
2	CLAMP BOLT EXTN DIM. UPDATED PER ECO - 0031371	UD 07/18/13	PVK	.XXX	±.005	REF			
1	CHG TO RBC FORMAT PER ISO5-1777	SD 04/27/06		.XXXX	±.0005	FMF			
NO.	REVISION	BY & DATE	CHK	ANG	±1/2'	FINISH	PREV		
THIS DRAWING IN DESIGN AND DETAIL IS OUR PROPERTY AND MUST NOT BE USED EXCEPT IN CONNECTION WITH OUR WORK ALL RIGHTS OF DESIGN AND INVENTION ARE RESERVED THIS IS AN ELECTRONICALLY GENERATED DOCUMENT - DO NOT SCALE THIS PRINT				RFP		CAD FILE 52A111202	SIZE A	DRAWING NO. 52A111202	REV. 2
				DIST					



TITLE OUTLINE
TOTALLY ENCLOSED OUTBOARD FAN

REVISIONS

REV.	DESCRIPTION	DATE	APPROVED
1	CHG TO RBC FORMAT PER IS05-1777	06/15/06	MADHU
2	RENAMED 113A930_FIG-2 TO 113A930FIG2 PER IS07-0972	05/08/07	MADHU

This document is the property of REGAL-BELOIT CORPORATION ("RBC") including its subsidiaries and divisions and contains proprietary information of RBC. This document is loaned on the express condition that neither the recipient nor any other person shall be permitted to disclose or disseminate the information contained herein without the express written consent of RBC. This document shall be returned to RBC upon its request. This document may be subject to certain restrictions under U.S. export control laws and regulations.

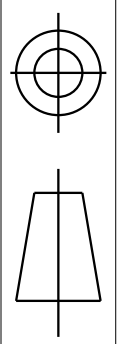
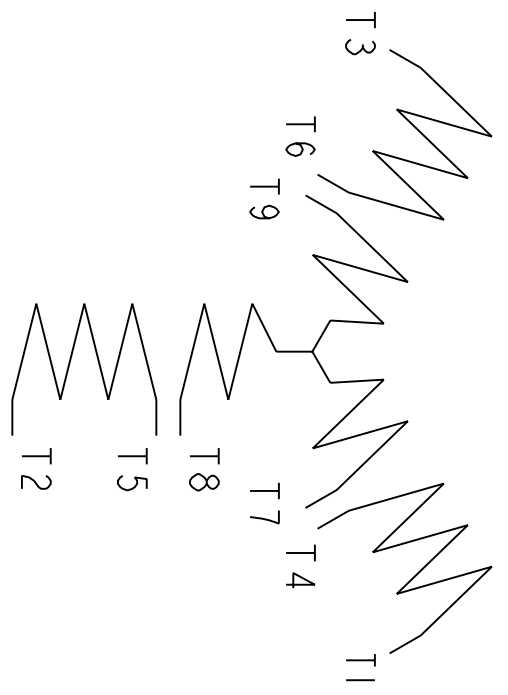


FIG. 2

3 PHASE



	VOLTS	L1	L2	L3	TOGETHER
2Y	LOW	1-7	2-8	3-9	4-5-6
1Y	HIGH	1	2	3	4-7, 5-8, 6-9

BRAKE MOTORS : CONNECT BRAKE LEADS B1 & B2 TO MOTOR LEADS T7 & T8.

FOR ADDITIONAL INFO REFER TO:		SIGNATURES		DATE
APPLIED PRACTICES	MODEL	M.D. PAPER		02/23/03
DIMENSIONS ARE IN INCHES				
TOLERANCE ON:				
1 PL DECIMALS ± 0.1				
2 PL DECIMALS ± 0.02				
3 PL DECIMALS ± 0.005				
ANGLES ± 1.0				
FRACTIONS ±				
FINISH	QUALITY	M.D. PAPER		02/23/03
	ISSUED			
MATERIAL	SOLID MODEL: 113A930FIG2			



REGAL-BELOIT CORPORATION

TITLE CONNECTION DIAGRAM

SIZE	DRAWING	SCALE: 1.000	REF. No:	SHEET 1 of 1
A				
113A930FIG2				REV 2