

PRODUCT INFORMATION PACKET

Model No: 5K37MN37
Catalog No: K218
3/4,3450,DP,56C,3/60/208-230/460
Three Phase



Regal and Marathon are trademarks of Regal Beloit Corporation or one of its affiliated companies.
©2018 Regal Beloit Corporation, All Rights Reserved. MC017097E



Nameplate Specifications

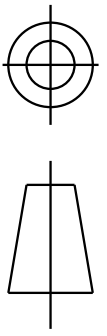
Output HP	3/4 Hp	Output KW	0.56 kW
Frequency	60 Hz	Voltage	208-230/460 V
Current	2.6-2.6,1.3 A	Speed	3450 rpm
Service Factor	1.5	Phase	3
Efficiency	74 %	Duty	Continuous
Insulation Class	B	KVA Code	M
Frame	56C	Enclosure	Drip Proof
Overload Protector	N/R	Ambient Temperature	40 °C
Drive End Bearing Size	6203	Opp Drive End Bearing Size	6203
UL	Recognized	CSA	Yes
CE	N		

Technical Specifications

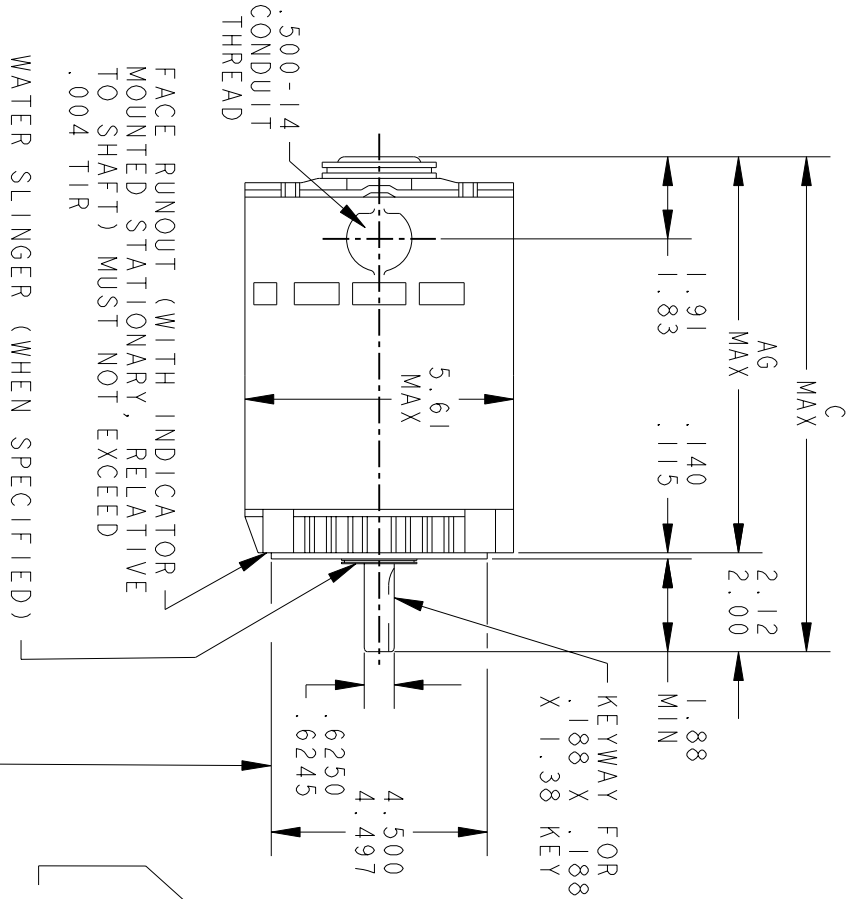
Electrical Type	Three Phase	Starting Method	N/R
Poles	2	Rotation	Counterclockwise/Clockwise
Mounting	Round	Motor Orientation	ANY
Drive End Bearing	LOCKED	Opp Drive End Bearing	BALL
Frame Material	Rolled Steel	Overall Length	10.7 in
Frame Length	6.62 in	Shaft Diameter	0.63 in
Shaft Extension	1.88 in	Thru-bolts Extension	0
Outline Drawing	52A102321P5	Connection Diagram	113A930FIG2

This is an uncontrolled document once printed or downloaded and is subject to change without notice. Date Created: 10/08/2018

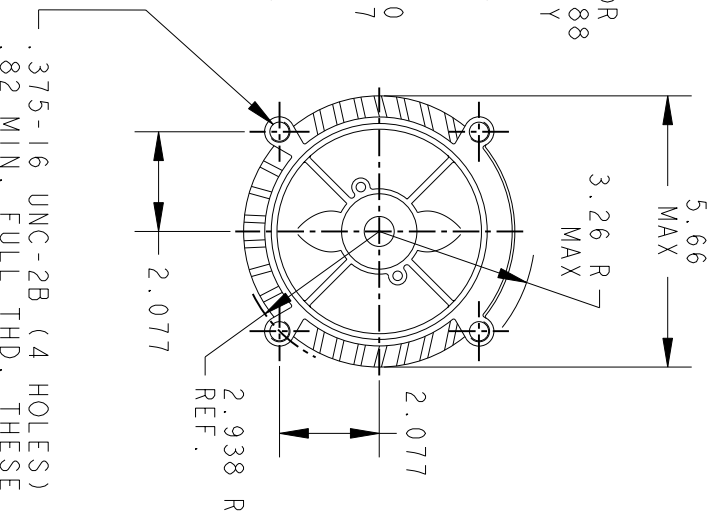
THIRD ANGLE PROJECTION



REVISIONS		REVOLUTIONS	
REV.	DESCRIPTION	DATE	APPROVED
8	REDRAWN NO CHANGE T196-22390	9/9/96	MDP
9	CHG MADE AS PER IS05-3049	11/30/05	GOVARDAN



ECCENTRICITY OF THIS SURFACE (WITH INDICATOR MOUNTED STATIONARY RELATIVE TO SHAFT) MUST NOT EXCEED .004 TIR



.375-16 UNC-2B (4 HOLES) .82 MIN. FULL THD. THESE HOLES FIT A GAGE HAVING A RABBIT 4.5005 DIA. AND 4 PINS .2917 DIA. LOCATED ON THE BASIC HOLE POSITIONS.

PT	TYPE	GE SIZE	NEMA FR	C	AG	SHELL REF	PT	TYPE	GE SIZE	NEMA FR	C	AG	SHELL REF
4	KC	36	56C	10.31	8.21	8	KC	KC	39	56C	12.58	10.49	8.50
3	KC	35	56C	9.88	7.78	7	KC	KC	39	56C	11.84	9.74	7.75
2	KC	33	56C	9.50	7.40	6	KC	KC	38	56C	11.31	9.21	
1	KC	32	56C	9.25	7.15	5	KC	KC	37	56C	10.71	8.61	

REGAL-BELOIT CORPORATION

OUTLINE

FORM N JET PUMP MOTOR-DRIP PROOF R2 END MOUNTED - SLEEVE & BALL BEARING

SIGNATURES		DATE	
MODEL	JPK	04/25/17	
DETAIL			
CHECKED			
ENGRG			
MFG			
QUALITY			
ISSUED	MDP	9/9/96	
SOLID MODEL: 52A102321			

FOR ADDITIONAL INFO REFER TO:

APPLIED PRACTICES

DIMENSIONS ARE IN INCHES

SCALE: 1.000 REF. No.:

SIZE DRAWING A

SHEET 1 of 1

REVISIONS

REV.	DESCRIPTION	DATE	APPROVED
1	CHG TO RBC FORMAT PER IS05-1777	06/15/06	MADHU
2	RENAMED 113A930_FIG-2 TO 113A930FIG2 PER IS07-0972	05/08/07	MADHU

This document is the property of REGAL-BELOIT CORPORATION ("RBC") including its subsidiaries and divisions and contains proprietary information of RBC. This document is loaned on the express condition that neither the recipient nor any other person shall be permitted to disclose or disseminate the contents of this document to any other person without the express written consent of RBC. This document shall be returned to RBC upon its request. This document may be subject to certain restrictions under U.S. export control laws and regulations.

THIRD ANGLE PROJECTION

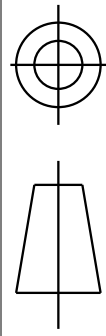
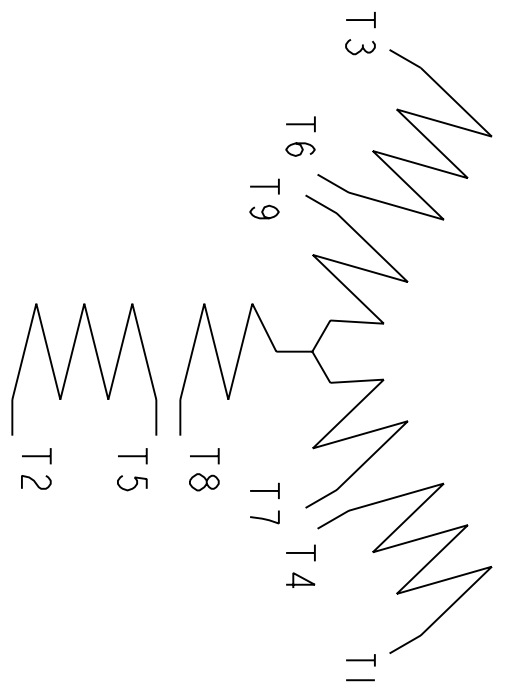


FIG. 2

3 PHASE



	VOLTS	L1	L2	L3	TOGETHER
2Y	LOW	1-7	2-8	3-9	4-5-6
1Y	HIGH	1	2	3	4-7, 5-8, 6-9

BRAKE MOTORS : CONNECT BRAKE LEADS B1 & B2 TO MOTOR LEADS T7 & T8.

FOR ADDITIONAL INFO REFER TO:

APPLIED PRACTICES	SIGNATURES	DATE
DIMENSIONS ARE IN INCHES	M.D. PAPE	02/23/03
DETAIL		
CHECKED		
ENGRG		
MFG		
QUALITY		
ISSUED	M.D. PAPE	02/23/03



REGAL-BELOIT CORPORATION

CONNECTION DIAGRAM

TOLERANCE ON:	FINISH
1 PL DECIMALS ± 0.1	✓
2 PL DECIMALS ± 0.02	
3 PL DECIMALS ± 0.005	
ANGLES ± 1.0	
FRACTIONS ±	
MATERIAL	SOLID MODEL: 113A930FIG2

SIZE	DRAWING	SCALE	REF. No.	SHEET	REV
A		1.000		1 of 1	2