

PRODUCT INFORMATION PACKET

marathon[®]
Motors

Model No: 5K42GN4619
Catalog No: K606
1/2,1800,TEFC,56C,3/60/230/460
Severe Duty



Regal and Marathon are trademarks of Regal Beloit Corporation or one of its affiliated companies.
©2018 Regal Beloit Corporation, All Rights Reserved. MC017097E

REGAL[®]



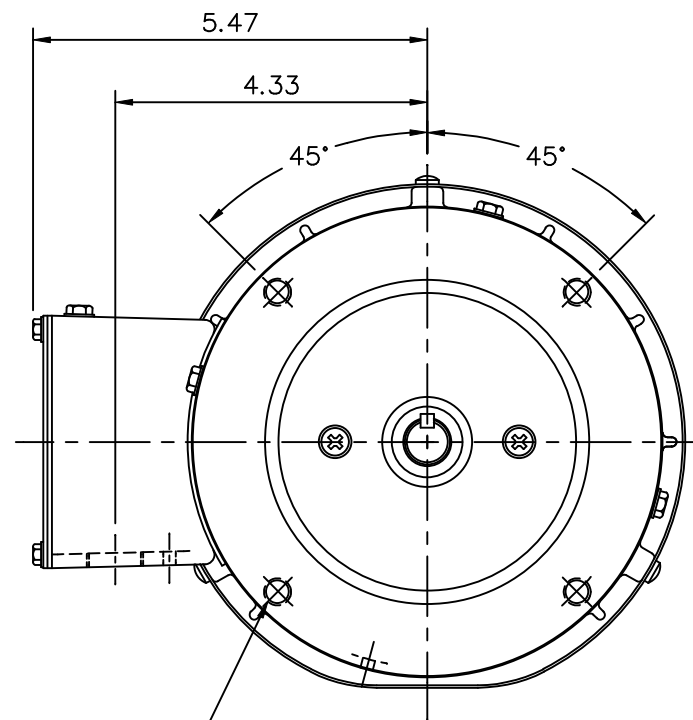
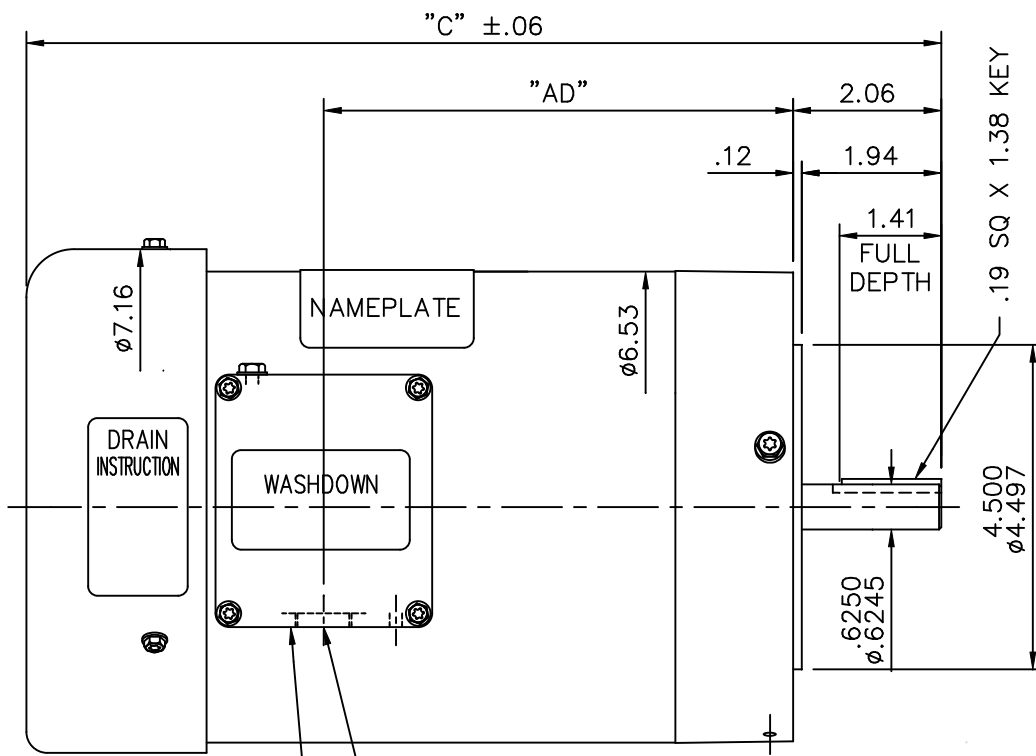
Nameplate Specifications

Output HP	0.50 Hp	Output KW	0.37 kW
Frequency	60 Hz	Voltage	230/460 V
Current	2.2/1.1 A	Speed	1725 rpm
Service Factor	1.15	Phase	3
Efficiency	72 %	Duty	Continuous
Insulation Class	F	Design Code	B
KVA Code	L	Frame	56C
Enclosure	Totally Enclosed Fan Cooled	Overload Protector	Automatic
Ambient Temperature	40 °C	Drive End Bearing Size	6205
Opp Drive End Bearing Size	6203	UL	Recognized
CSA	Y	CE	Y
IP Code	55		

Technical Specifications

Electrical Type	Squirrel Cage Induction Run	Starting Method	Across The Line
Poles	4	Rotation	Reversible
Mounting	Round	Motor Orientation	HORIZONTAL
Drive End Bearing	BALL	Opp Drive End Bearing	BALL
Frame Material	Rolled Steel	Shaft Type	NEMA 56
Overall Length	11.69 in	Frame Length	5.00 in
Shaft Diameter	0.625 in	Shaft Extension	2.06 in
Assembly/Box Mounting	F1 ONLY		
Outline Drawing	028716ME-500	Connection Diagram	005010.20ME

This is an uncontrolled document once printed or downloaded and is subject to change without notice. Date Created: 10/30/2018



DECAL- CONNECTION & T'STAT. UNDER COVER (WHEN REQ'D)

(1) 1/2-14 NPT (PLUGGED)

SPECIAL FEATURES:

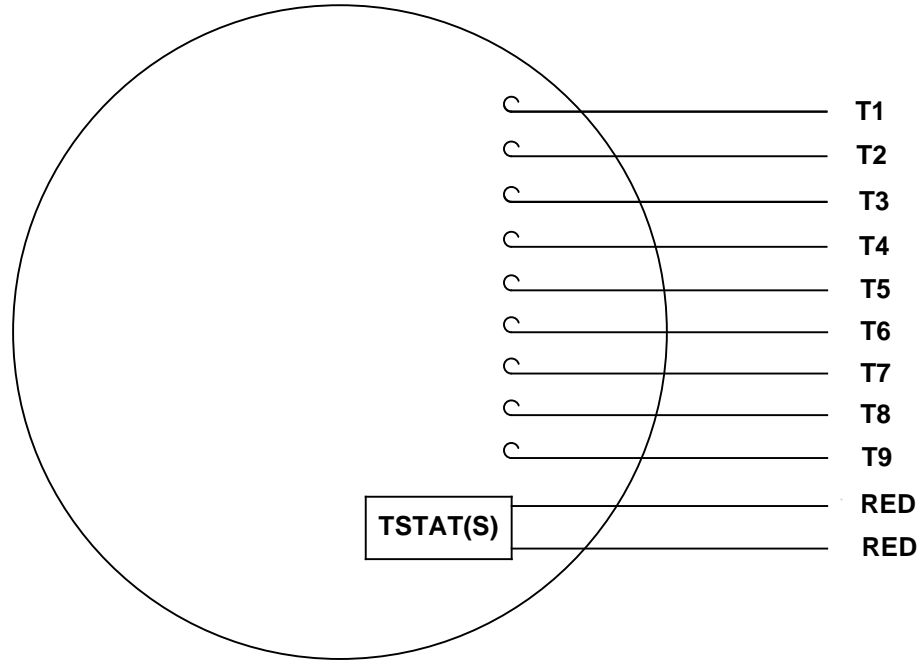
- 1) SHAFT SEALS & V-RING
- 2) DRAIN HOLES IN BOTH ENDBELLS & CONDUIT BOX
- 3) GASKETS THROUGHOUT
- 4) STAINLESS STEEL SHAFT, HARDWARE & NAMEPLATE

DASH NO.	"C"	"AD"
450	10.69	4.50
500	11.19	5.00
550	11.69	5.50
600	12.19	6.00
650	12.69	6.50

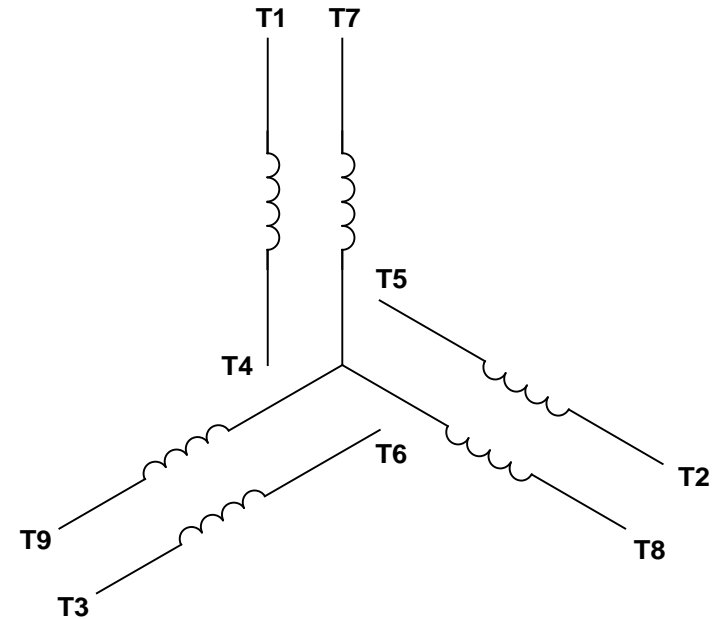
MAXIMUM FACE RUNOUT .004 T.I.R.
 MAXIMUM PILOT ECCENTRICITY .004 T.I.R.
 PERMISSIBLE SHAFT RUNOUT .002 T.I.R.

		TOLERANCES UNLESS SPECIFIED		MARATHON ELECTRIC	DRAWN LST 7/9/09				
		DEC.	INCHES		CHK				
		.X	±.1	TITLE OUTLINE- 56C FRAME TEFC- "C" FACE MAT'L. FINISH	APPD				
		.XX	±.03		SCALE	3=8			
		.XXX	±.005		REF	112644			
		.XXXX	±.0005		FMF				
NO.	REVISION	BY & DATE	CHK ANG ±1/2'		PREV				
THIS DRAWING IN DESIGN AND DETAIL IS OUR PROPERTY AND MUST NOT BE USED EXCEPT IN CONNECTION WITH OUR WORK ALL RIGHTS OF DESIGN AND INVENTION ARE RESERVED THIS IS AN ELECTRONICALLY GENERATED DOCUMENT - DO NOT SCALE THIS PRINT				RFP	CAD FILE	028716ME	SIZE	DRAWING NO.	REV.
				DIST			A	028716ME	

VIEW FROM OUTSIDE OF MOTOR AT SWITCH END.



LINE LEADS



VOLTAGE	L1	L2	L3	JOIN & INSULATE
HIGH	T1	T2	T3	(T4, T7) (T5, T8) (T6, T9)
LOW	T1, T7	T2, T8	T3, T9	T4, T5, T6

RBC PROPRIETARY AND CONFIDENTIAL INFORMATION
 This document is the property of REGAL BELOIT CORPORATION ("RBC") including its subsidiaries and divisions and contains proprietary information of RBC. This document is loaned on the express condition that neither it nor the information contained therein shall be disclosed to others without the express written consent of RBC, and that the information shall be used by the recipient only as approved expressly by RBC. This document shall be returned to RBC upon its request. This document may be subject to certain restrictions under U.S. export control laws and regulations.

				TOLERANCES UNLESS SPECIFIED				DRAWN RDW 04/13/04		
				DEC	INCHES			CHK		
				.X	±.1			APPR		
				.XX	±.01			SCALE 1:1		
				.XXX	±.005	TITLE EXTERNAL WIRING DIAGRAM 3 PHASE		REF		
--	REDRAWN IN SOLIDWORKS	VJB 02/08/11		.XXXX	±.0005	MAT'L DECAL - 004014 (TSTAT) - 080582		FMF 129027		
NO	REVISION	BY & DATE	CHK	ANG	±1/2°	FINISH		PAGE OF		
THIRD ANGLE PROJECTION			RFP		PREV		SIZE	DRAWING NO		REV
			NETWORK FILE NAME		00501020ME		A	005010-20ME		--



P.O. BOX 8003
WAUSAU, WI 54401-8003
PH. 715-675-3311

DATA VOLTS: 460

CERTIFICATION DATA SHEET

CUSTOMER P.O. #:
 ORDER #: 00501020ME REFERENCE MODEL #: 5K42GN4619
 CONN. DIAGRAM: 028716ME-500 CAT #: K606
 OUTLINE: T634376 NONE 3 CUSTOMER PART #:
 WINDING: T634376 NONE 3 MOUNTING: F1 ONLY
 SPEED:
 TYPICAL MOTOR PERFORMANCE DATA

HP	KW	SYNC RPM	FL RPM	FRAME	ENCLOSURE	TYPE	KVA CODE	DESIGN
0.5	0.37	1800	1745	56	TEFC	NA	L	B

PH	HZ	VOLTS	AMPS	START TYPE	DUTY	INSL	S.F.	AMB	ELEV.
3	60	230/460	2.1/1.05	ACROSS-THE LINE	CONT	F	1.15	40	3300
	F.L. EFF	72.8	3/4 LD EFF	69.2	1/2 LD EFF	62.1	GTD EFF		ELECT. TYPE
	F.L. PF	60.5	3/4 LD PF	51.5	1/2 LD PF	41.0	0.0		SQ CAGE IND RUN

F.L. TORQUE	LR AMPS @ 460 V	L.R. TORQUE	B.D. TORQUE	F.L. RISE (°C)		
383 LB-FT	6.0	1,308 LB-FT	1,722 LB-FT	450%		
@ 3 FT.	POWER	ROTOR WK ²	MAX. LOAD WK ²	SAFE STALL TIME	START/SHOUR	MOTOR WGT
999 DBA	1008 DBA	0.05 LB-FT ²	0.1 LB-FT ²	0 SEC.	0	0 LB.

*** SUPPLEMENTAL INFORMATION ***

DE BRACKET TYPE	ODE BRACKET TYPE	MOUNT TYPE	MOTOR ORIENTATION	SEVERE DUTY	HAZARDOUS LOCATION	DRIP COVER	SCREENS	PAINT
STANDARD	STANDARD	ROUND	HORIZONTAL	NO	NONE	NO	NONE	GRAY - EPOXY

BEARINGS	GREASE	SHAFT TYPE	SPECIAL DE	SPECIAL ODE	SHAFT MATERIAL	FRAME MATERIAL
DE BALL 6203	POLYREX EM	STANDARD 56	NONE	NONE	303 STAINLESS (C-501)	ROLLED STEEL

THERMOSTATS	PROTECTORS	WDG RTD's	BRG RTD's	THERMISTORS	CONTROL	SPACE HEATERS
NONE	AUTOMATIC	NONE	NONE	NONE	FALSE	NA

R1 (ohms/ph)	R2 (ohms/ph)	X1 (ohms/ph)	X2 (ohms/ph)	Xm (ohms/ph)	VIBRATION (in/sec)	FLOAT
0	0	0	0	0	0.080	ODE

* N		INVERTER TORQUE: NONE	
O		INV. HP SPEED RANGE: NONE	
T		ENCODER: NONE	
E		BRAKE: NONE	
S		FT-LB: NA NONE	
		VOLTAGE: NONE	
		HZ: NONE	

PREPARED BY: FAREEDA DUDEKULA
 DATE: 8/24/2018
 FORM: 3531 REV 4 2/27/06
 UL: X-GE-INS. CONST. AUTO PRT UL REC

