

PRODUCT INFORMATION PACKET

Model No: 5K42HN4089X
Catalog No: K1408
1/2,1725,DP,56,3/60/208-230/460
Fan and Blower



Regal and Marathon are trademarks of Regal Beloit Corporation or one of its affiliated companies.
©2018 Regal Beloit Corporation, All Rights Reserved. MC017097E



Nameplate Specifications

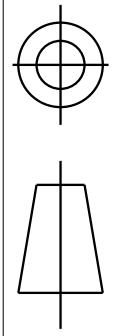
Output HP	1/2 Hp	Output KW	0.37 kW
Frequency	60 Hz	Voltage	208-230/460 V
Current	2.3-2.2,1.1 A	Speed	1725 rpm
Service Factor	1.25	Phase	3
Efficiency	75.6 %	Duty	Continuous
Insulation Class	B	Design Code	B
KVA Code	K	Frame	56
Enclosure	Drip Proof	Overload Protector	AUTO
Ambient Temperature	40 °C	Drive End Bearing Size	6203
Opp Drive End Bearing Size	6203	UL	Recognized
CSA	Yes	CE	N

Technical Specifications

Electrical Type	Three Phase	Starting Method	N/R
Poles	4	Rotation	Counterclockwise/Clockwise
Mounting	Resilient Base	Motor Orientation	ANY
Drive End Bearing	BALL	Opp Drive End Bearing	BALL
Frame Material	Rolled Steel	Overall Length	10.05 in
Frame Length	5.72 in	Shaft Diameter	0.63 in
Shaft Extension	1.88 in	Thru-bolts Extension	0
Outline Drawing	52A109606P1	Connection Diagram	113A423

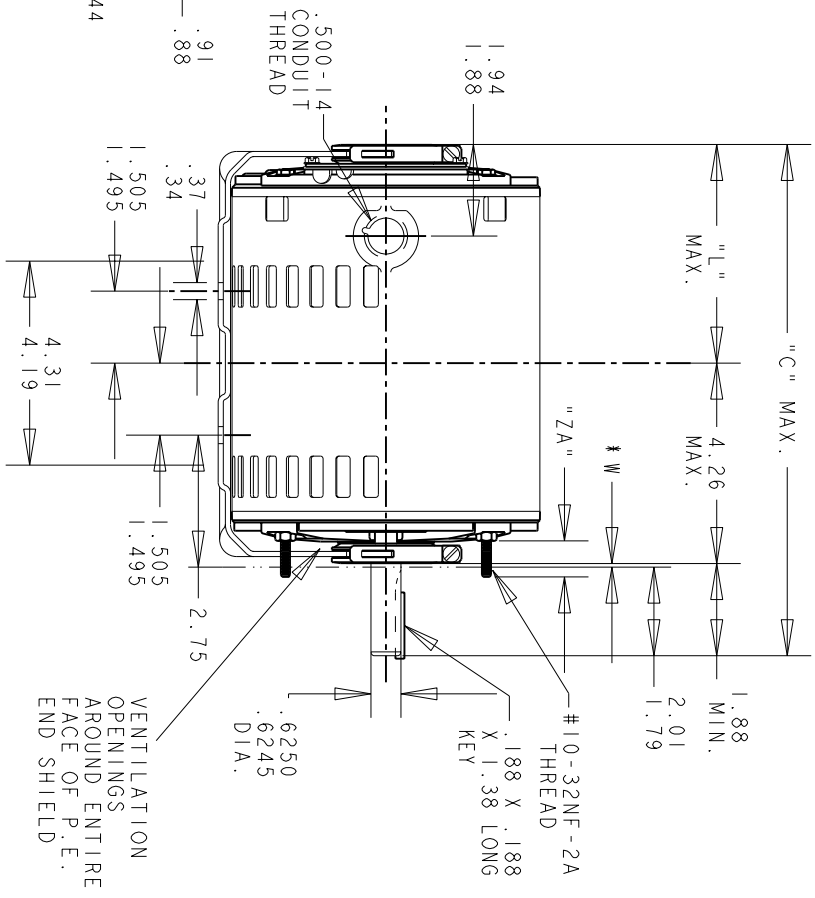
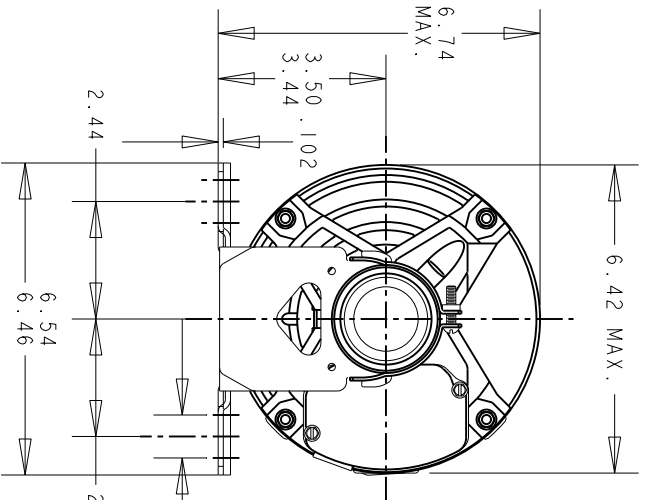
This is an uncontrolled document once printed or downloaded and is subject to change without notice. Date Created: 10/08/2018

THIRD ANGLE PROJECTION



REVISIONS

REV.	DESCRIPTION	DATE	APPROVED
3	CHANGED GE SIZE FOR P3	05/07/04	ARUNK
4	CHG TO RBC FORMAT PER IS05-11777	03/21/06	SUDHA



VIEW OF P.E. END SHIELD

* W IS A VARIABLE CLEARANCE DUE TO VARIATIONS IN PARTS AND ASSEMBLY

ALL DIMENSIONS ARE IN INCHES

3	K	46	56	10.88	4.62	.62
2	K	49	56	10.48	4.22	.62
1	K	42	56	10.05	3.79	.62
P	TYPE	GE	NEMA	"C"	"L"	"Z A"
		SIZE	FR.			

SIGNATURES	DATE	MIN. SHELL
M.D. PAPE	03/31/94	6.55
		6.15
		5.72

FOR ADDITIONAL INFO REFER TO:	MODEL	M.D. PAPE	DATE	03/31/94
APPLIED PRACTICES	CHECKED			
DIMENSIONS ARE IN INCHES	ENGRG			
	MFG			
	QUALITY			
	ISSUED	M.D. PAPE		03/31/94
	MATERIAL	SOLID MODEL: 52A109606		



REGAL-BELOTT CORPORATION

OUTLINE

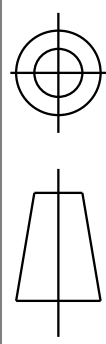
GENERAL PURPOSE MOTOR - DRIP PROOF - BALL BEARING - RESILIENT BASE EXTENDED CLAMP SCREWS FMF - 40 FRAME REDESIGN

SCALE: 0.250 REF. No.: 52A109606

SHEET 1 of 1

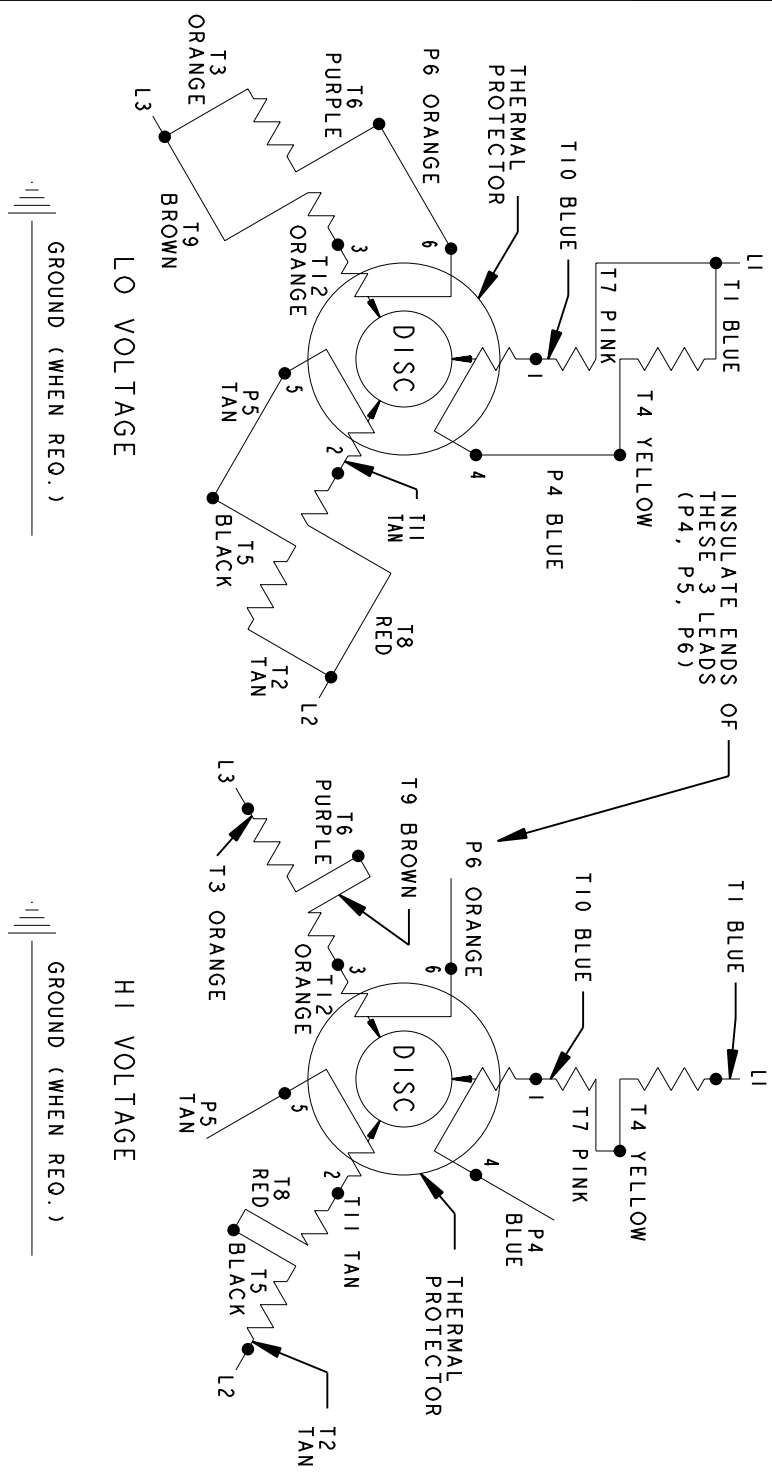
REV.	DESCRIPTION	DATE	APPROVED
7	LO VOLTAGE: "T8 RED" WAS "T3 RED"	09/25/92	BLJ
8	LABEL WAS 185178	04/04/95	M.A.M.
9	CHG TO RBC FORMAT PER IS05-1777	06/13/06	SUDHA

This document is the property of REGAL-BELOIT CORPORATION ("RBC") including its subsidiaries and divisions and contains proprietary information of RBC. This document is loaned on the express condition that neither the recipient nor any other person shall be permitted to disclose or disseminate the information contained herein without the express written consent of RBC. This document shall be returned to RBC upon its request. This document may be subject to certain restrictions under U.S. export control laws and regulations.



THIRD ANGLE PROJECTION

TYPE K - DUAL VOLTAGE - THREE PHASE -
 I2 LEAD WDG. - I2 LEADS OUT - THERMAL PROTECTION



NOTE #1 - TO REVERSE ROTATION, INTERCHANGE THE EXTERNAL CONNECTIONS TO ANY TWO LINE LEADS.

LABEL - NP185178AA

FOR ADDITIONAL INFO REFER TO:

APPLIED PRACTICES	SIGNATURES	DATE
DIMENSIONS ARE IN INCHES	G.A.HILLSMIER	01/05/56
TOLERANCE ON: 1 PL DECIMALS ± 0.1 2 PL DECIMALS ± 0.02 3 PL DECIMALS ± 0.005		
ANGLES ± 1.0		
FRACTIONS ±		
FINISH		

REGAL-BELOIT CORPORATION

DIAGRAM - CONNECTION
TYPE K MOTORS

MODEL	DATE
G.A.HILLSMIER	01/05/56
CHECKED	
ENGRG	
MFG	
QUALITY	
ISSUED	05/12/92
B.L.J.	

SCALE: 1.000 REF. No.: .

113A423 REV 9

SHEET 1 of 1