

PRODUCT INFORMATION PACKET

Model No: 5K42HN4128
Catalog No: K284
1/2, 1725, TENV, 56, 3/60/208-230/460
Fan and Blower



Regal and Marathon are trademarks of Regal Beloit Corporation or one of its affiliated companies.
©2018 Regal Beloit Corporation, All Rights Reserved. MC017097E



Nameplate Specifications

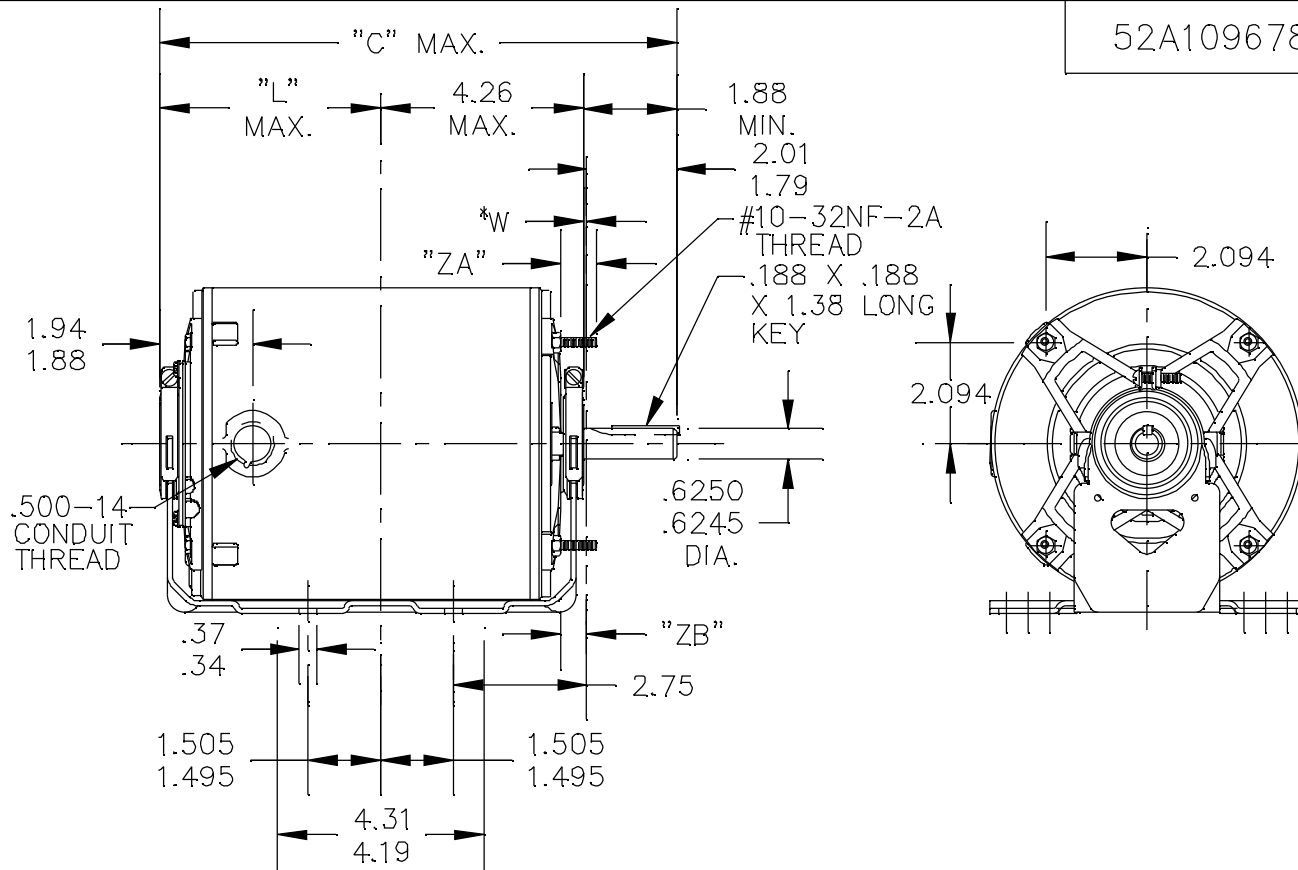
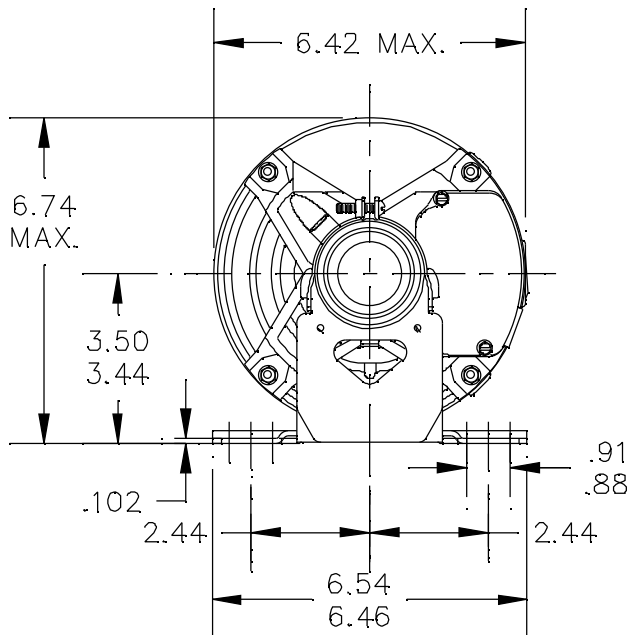
Output HP	1/2 Hp	Output KW	0.37 kW
Frequency	60 Hz	Voltage	208-230/460 V
Current	2.3-2.2,1.1 A	Speed	1725 rpm
Service Factor	1	Phase	3
Efficiency	78 %	Duty	Continuous
Insulation Class	B	Design Code	B
KVA Code	K	Frame	56
Enclosure	Totally Enclosed Air Over	Overload Protector	N/R
Ambient Temperature	40 °C	Drive End Bearing Size	6203
Opp Drive End Bearing Size	6203	UL	Recognized
CSA	Yes	CE	N

Technical Specifications

Electrical Type	Three Phase	Starting Method	N/R
Poles	4	Rotation	Counterclockwise/Clockwise
Mounting	Resilient Base	Motor Orientation	ANY
Drive End Bearing	BALL	Opp Drive End Bearing	BALL
Frame Material	Rolled Steel	Overall Length	10.05 in
Frame Length	5.72 in	Shaft Diameter	0.63 in
Shaft Extension	1.88 in	Thru-bolts Extension	0
Outline Drawing	52A109678P1	Connection Diagram	113A930FIG2

This is an uncontrolled document once printed or downloaded and is subject to change without notice. Date Created: 10/08/2018


52A109678



*W IS A VARIABLE CLEARANCE DUE TO VARIATIONS IN PARTS AND ASSEMBLY

ALL DIMENSIONS ARE IN INCHES

2	KH	46	56	10.88	4.62	.62	.51/.44		6.55
1	K	42	56	10.05	3.79	.62	.51/.44		5.72
P	TYPE	RBC SIZE	NEMA FR.	"C"	"L"	"ZA"	"ZB"		MIN. SHELL

				TOLERANCES UNLESS SPECIFIED		 REGAL-BELOIT CORPORATION		DRAWN M.D.P 09/08/94	
				DEC.	INCHES			CHK	
4	REDRAWN IN DRAFT SIGHT NO CHANGES	PVR 10/16/12	PKG	.X	±0.1	TITLE OUTLINE TENV - RESILIENT BASE EXTENDED CLAMP SCREWS		APPD M.D.P 09/08/94	
3	ADDED PART #2 PER DS10-0176	AB 02/26/10		.XX	±0.02			SCALE 1=1	
2	CHG TO RBC FORMAT PER IS05-1777	SUDHA3/23/06		.XXX	±0.005			REF	
1	ADDED DIM. "ZB"	M.A.M09/20/94		.XXXX	±0.0005	MAT'L		FMF	
NO.	REVISION	BY & DATE	CHK	ANG	±1.0	FINISH		PREV	

THIS DRAWING IN DESIGN AND DETAIL IS OUR PROPERTY AND MUST NOT BE USED EXCEPT IN CONNECTION WITH OUR WORK ALL RIGHTS OF DESIGN AND INVENTION ARE RESERVED THIS IS AN ELECTRONICALLY GENERATED DOCUMENT - DO NOT SCALE THIS PRINT

RFP	CAD FILE	52A109678	SIZE	DRAWING NO.	REV.
DIST			A	52A109678	4

REVISIONS

REV.	DESCRIPTION	DATE	APPROVED
1	CHG TO RBC FORMAT PER IS05-1777	06/15/06	MADHU
2	RENAMED 113A930_FIG-2 TO 113A930FIG2 PER IS07-0972	05/08/07	MADHU

This document is the property of REGAL-BELOIT CORPORATION ("RBC") including its subsidiaries and divisions and contains proprietary information of RBC. This document is loaned on the express condition that neither the recipient nor any other person shall be permitted to disclose or disseminate the information contained herein without the express written consent of RBC. This document shall be returned to RBC upon its request. This document may be subject to certain restrictions under U.S. export control laws and regulations.

THIRD ANGLE PROJECTION

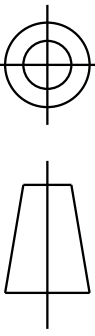
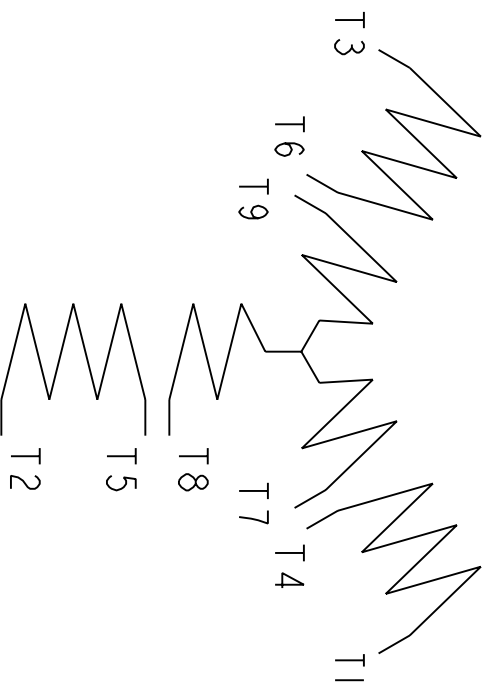


FIG. 2

3 PHASE



	VOLTS	L1	L2	L3	TOGETHER
2Y	LOW	1-7	2-8	3-9	4-5-6
1Y	HIGH	1	2	3	4-7, 5-8, 6-9

BRAKE MOTORS : CONNECT BRAKE LEADS B1 & B2 TO MOTOR LEADS T7 & T8.

FOR ADDITIONAL INFO REFER TO:		SIGNATURES		DATE
APPLIED PRACTICES	MODEL	M.D. PAPER		02/25/03
DIMENSIONS ARE IN INCHES				
TOLERANCE ON:				
1 PL DECIMALS ± 0.1				
2 PL DECIMALS ± 0.02				
3 PL DECIMALS ± 0.005				
ANGLES ± 1.0				
FRACTIONS ±				
FINISH	QUALITY	M.D. PAPER		02/25/03
	ISSUED			
MATERIAL	SOLID MODEL: 113A930FIG2			



REGAL-BELOIT CORPORATION

CONNECTION DIAGRAM

TITLE	SIZE	DRAWING	REF. No.	SHEET	REV
	A			1 of 1	2
SCALE: 1.000		113A930FIG2			