

PRODUCT INFORMATION PACKET

Model No: 5K42JN3050
Catalog No: K546
1/2-1/6,1725/1140,DP,56,3/60/460
Fan and Blower



Regal and Marathon are trademarks of Regal Beloit Corporation or one of its affiliated companies.
©2018 Regal Beloit Corporation, All Rights Reserved. MC017097E

Nameplate Specifications

Output HP	1/2-1/6 Hp	Output KW	0.37 kW
Frequency	60 Hz	Voltage	460 V
Current	1.1,0.6 A	Speed	1725/1140 rpm
Service Factor	1.25	Phase	3
Efficiency	0 %	Duty	Continuous
Insulation Class	B	Design Code	B
KVA Code	M	Frame	56
Enclosure	Drip Proof	Overload Protector	N/R
Ambient Temperature	40 °C	Drive End Bearing Size	6203
Opp Drive End Bearing Size	6203	UL	Recognized
CSA	Yes	CE	N

Technical Specifications

Electrical Type	Three Phase	Starting Method	N/R
Poles	4	Rotation	Counterclockwise/Clockwise
Mounting	Resilient Base	Motor Orientation	ANY
Drive End Bearing	BALL	Opp Drive End Bearing	BALL
Frame Material	Rolled Steel	Overall Length	10.05 in
Frame Length	5.72 in	Shaft Diameter	0.63 in
Shaft Extension	1.88 in		
Outline Drawing	52A109606P1	Connection Diagram	113A930FIG7

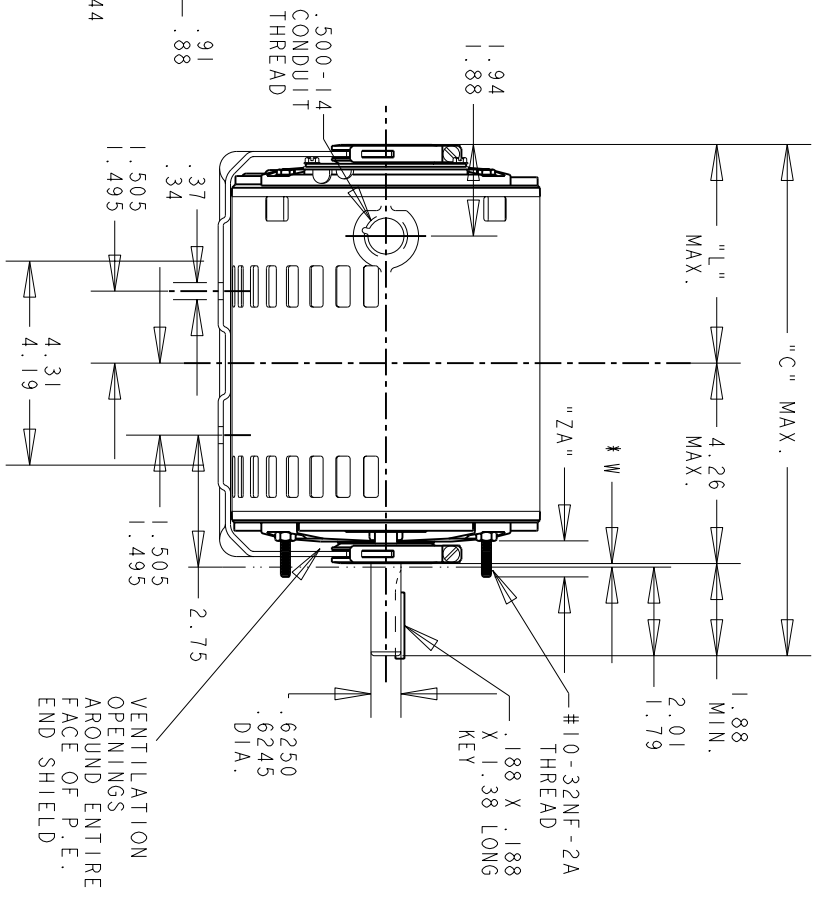
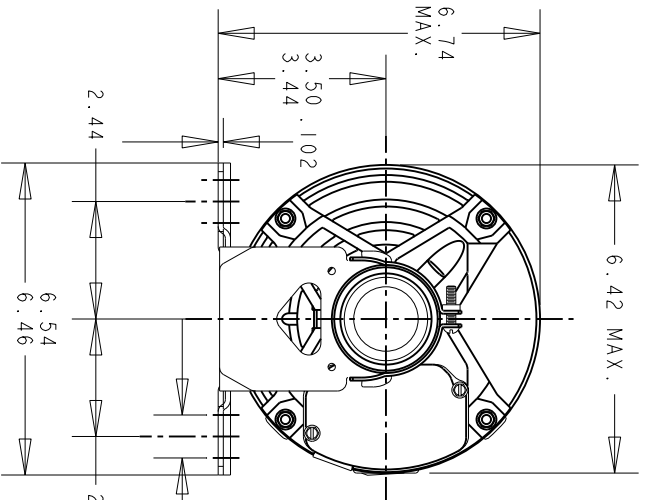
This is an uncontrolled document once printed or downloaded and is subject to change without notice. Date Created: 10/08/2018

THIRD ANGLE PROJECTION



REVISIONS

REV.	DESCRIPTION	DATE	APPROVED
3	CHANGED GE SIZE FOR P3	05/07/04	ARUNK
4	CHG TO RBC FORMAT PER IS05-11777	03/21/06	SUDHA



VIEW OF P.E. END SHIELD

* W IS A VARIABLE CLEARANCE DUE TO VARIATIONS IN PARTS AND ASSEMBLY

ALL DIMENSIONS ARE IN INCHES

3	2	1	P
K	K	K	TYPE
46	49	42	GE SIZE
56	56	56	NEMA FR.
10.88	10.48	10.05	"C"
4.62	4.22	3.79	"L"
.62	.62	.62	"ZA"
6.55	6.15	5.72	MIN. SHELL



REGAL-BELOTT CORPORATION

TITLE OUTLINE

GENERAL PURPOSE MOTOR - DRIP PROOF - BALL BEARING - RESILIENT BASE EXTENDED CLAMP SCREWS FMF - 40 FRAME REDESIGN

FOR ADDITIONAL INFO REFER TO:	MFG	QUALITY	ISSUED	M.D. PAPER
APPLIED PRACTICES	CHECKED	ENGNG	DATE	SIGNATURES
DIMENSIONS ARE IN INCHES	DETAIL	MODEL	M.D. PAPER	03/31/94
MATERIAL	SOLID MODEL: 52A109606	DATE	03/31/94	

SCALE: 0.250	REF. No.:	SHEET 1 of 1
SIZE: DRAWING A	REV 4	
52A109606		

REVISIONS

REV.	DESCRIPTION	DATE	APPROVED
1	CHG TO RBC FORMAT PER ISO5-1777	06/15/06	MADHU
2	RENAMED 113A930_FIG_7 TO 113A930FIG7 PER ISO7-0972	05/08/07	MADHU

This document is the property of REGAL-BELOIT CORPORATION ("RBC") including its subsidiaries and divisions and contains proprietary information of RBC. This document is loaned on the express condition that neither the recipient nor any other person shall be permitted to check, copy, reproduce, disseminate, or otherwise use this information in any way without the express written consent of RBC. This document shall be returned to RBC upon its request. This document may be subject to certain restrictions under U.S. export control laws and regulations.

THIRD ANGLE PROJECTION

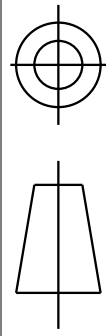
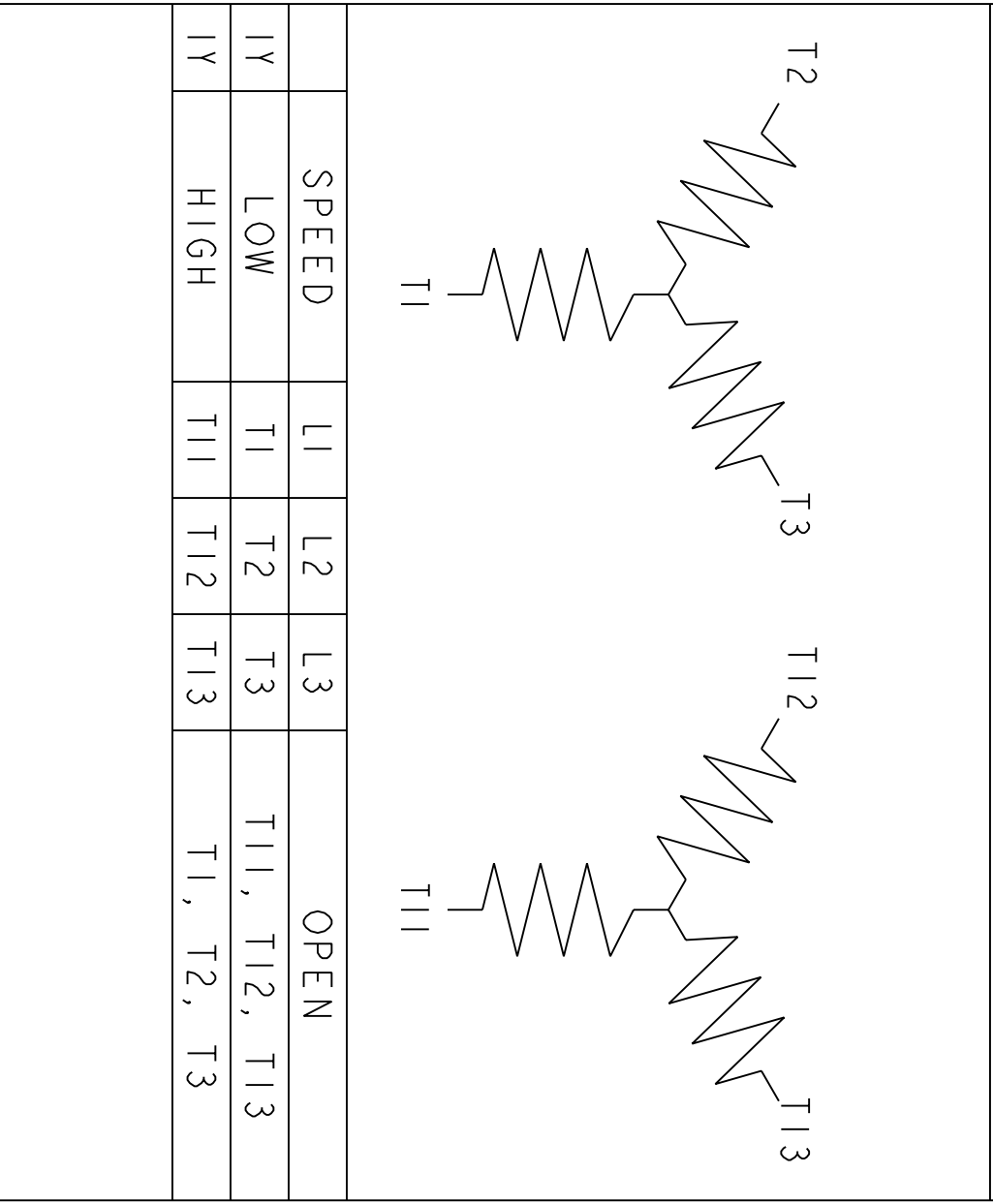


FIG. 7 - 3 PHASE, 2 SPEED, 2 WINDING



	SPEED	L1	L2	L3	OPEN
IY	LOW	T1	T2	T3	T11, T12, T13
IY	HIGH	T11	T12	T13	T1, T2, T3

FOR ADDITIONAL INFO REFER TO:		SIGNATURES		DATE
APPLIED PRACTICES	MODEL	M.D. PAPER		02/25/03
DIMENSIONS ARE IN INCHES				
TOLERANCE ON:				
1 PL DECIMALS ± 0.1				
2 PL DECIMALS ± 0.02				
3 PL DECIMALS ± 0.005				
ANGLES ± 1.0				
FRACTIONS ±				
FINISH	QUALITY	M.D. PAPER		02/25/03
	ISSUED			
MATERIAL	SOLID MODEL: 113A930F167			



REGAL-BELOIT CORPORATION

CONNECTION DIAGRAM

TITLE	SIZE	DRAWING	REV
	A		2
SCALE: 1.000	REF. No.:		
113A930FIG7		SHEET 1 of 1	