

# PRODUCT INFORMATION PACKET

Model No: 5K46KN4085  
Catalog No: K277  
3/4,1800,DP,56,3/60/50/208-230/460  
Fan and Blower



Regal and Marathon are trademarks of Regal Beloit Corporation or one of its affiliated companies.  
©2018 Regal Beloit Corporation, All Rights Reserved. MC017097E



**Nameplate Specifications**

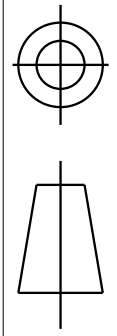
Output HP	<b>3/4 Hp</b>	Output KW	<b>0.56 kW</b>
Frequency	<b>60 Hz</b>	Voltage	<b>208-230/460 V</b>
Current	<b>3.3-3.0,1.5 A</b>	Speed	<b>1725 rpm</b>
Service Factor	<b>1.25</b>	Phase	<b>3</b>
Efficiency	<b>74 %</b>	Duty	<b>Continuous</b>
Insulation Class	<b>B</b>	KVA Code	<b>K</b>
Frame	<b>56</b>	Enclosure	<b>Drip Proof</b>
Overload Protector	<b>N/R</b>	Ambient Temperature	<b>40 °C</b>
Drive End Bearing Size	<b>6203</b>	Opp Drive End Bearing Size	<b>6203</b>
UL	<b>Recognized</b>	CSA	<b>Yes</b>
CE	<b>N</b>		

**Technical Specifications**

Electrical Type	<b>Three Phase</b>	Starting Method	<b>N/R</b>
Poles	<b>4</b>	Rotation	<b>Counterclockwise/Clockwise</b>
Mounting	<b>Resilient Base</b>	Motor Orientation	<b>ANY</b>
Drive End Bearing	<b>BALL</b>	Opp Drive End Bearing	<b>BALL</b>
Frame Material	<b>Rolled Steel</b>	Overall Length	<b>10.88 in</b>
Frame Length	<b>6.55 in</b>	Shaft Diameter	<b>0.63 in</b>
Shaft Extension	<b>1.88 in</b>	Thru-bolts Extension	<b>0</b>
Outline Drawing	<b>52A109511P2</b>	Connection Diagram	<b>113A930FIG2</b>

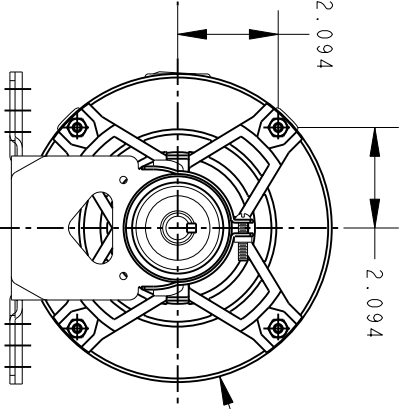
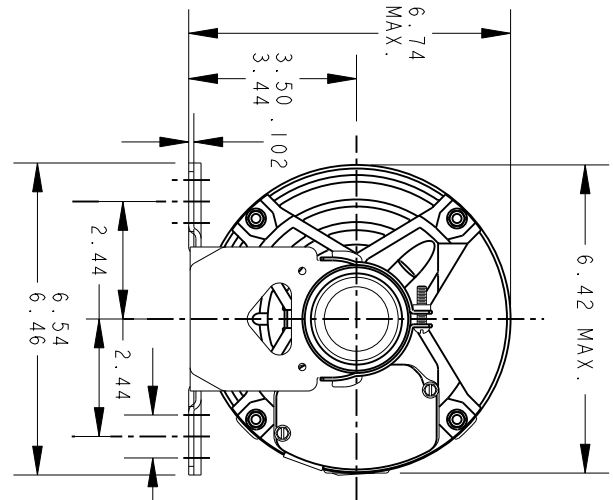
**This is an uncontrolled document once printed or downloaded and is subject to change without notice. Date Created: 10/08/2018**

THIRD ANGLE PROJECTION

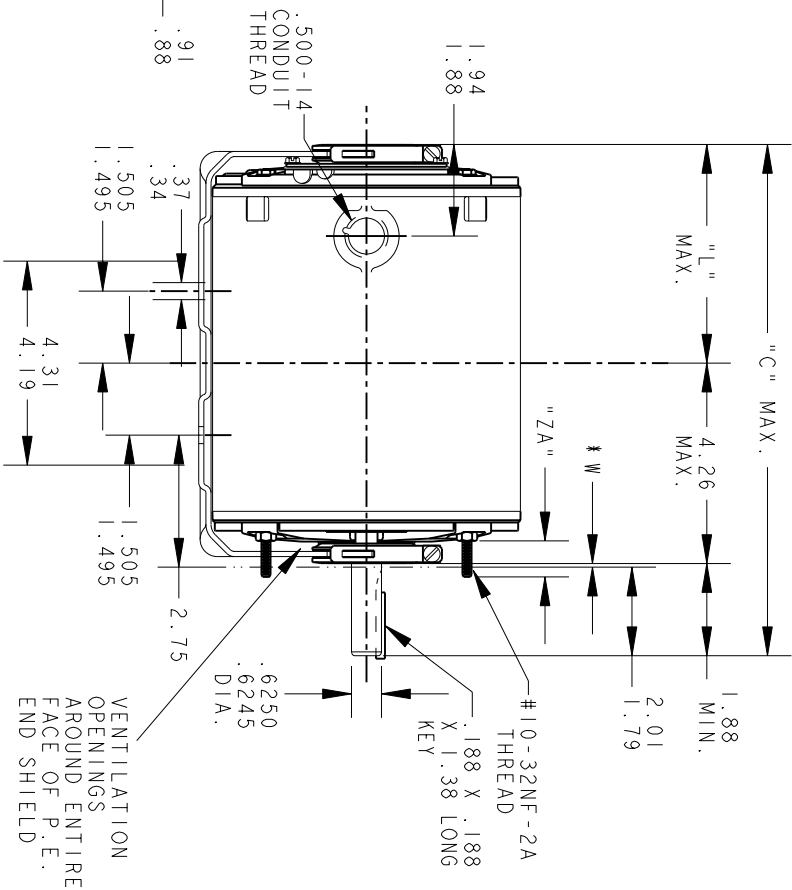


REVISIONS

REV.	DESCRIPTION	DATE	APPROVED
2	ADDED PART #4.	07/05/94	M.D. PAPE
3	CHG TO RBC FORMAT PER IS05-1777	03/16/06	SUDHA



VIEW OF P.E. END SHIELD



\*W IS A VARIABLE CLEARANCE DUE TO VARIATIONS IN PARTS AND ASSEMBLY

VENTILATION OPENINGS AROUND ENTIRE FACE OF P.E. END SHIELD

4	3	2	1	P
KH/K	KH/K	KH/K	KH/K	TYPE
49	49	46	46	GE
56	56	56	56	SIZE
12.01	11.48	10.88	10.88	NEMA "C"
5.75	5.22	4.62	4.62	FR. "L"
.62	.62	.62	.62	"ZA"

ALL DIMENSIONS ARE IN INCHES



REGAL-BELOTT CORPORATION

OUTLINE

GENERAL PURPOSE MOTOR - DRIP PROOF - BALL BEARING - RESILIENT BASE EXTENDED CLAMP SCREWS FMF - 40 FRAME REDESIGN

FOR ADDITIONAL INFO REFER TO:	MODEL	MA MARKS	DATE
APPLIED PRACTICES	CHECKED	ENGRG	MFG
DIMENSIONS ARE IN INCHES	ISSUED	QUALITY	QUALITY
MATERIAL	SOLID MODEL: 52A109511	M.A.M.	03/29/94

SCALE: 0.250	REF. No.:	SHEET 1 of 1
SIZE: DRAWING A	REV 3	

REVISIONS

REV.	DESCRIPTION	DATE	APPROVED
1	CHG TO RBC FORMAT PER IS05-1777	06/15/06	MADHU
2	RENAMED 113A930_FIG-2 TO 113A930FIG2 PER IS07-0972	05/08/07	MADHU

This document is the property of REGAL-BELOIT CORPORATION ("RBC") including its subsidiaries and divisions and contains proprietary information of RBC. This document is loaned on the express condition that neither the recipient nor any other person shall be permitted to disclose or disseminate the contents of this document to any other person without the express written consent of RBC. The recipient shall be held responsible for the return of this document to RBC upon its request. This document shall be restricted to RBC upon its request. This document may be subject to certain restrictions under U.S. export control laws and regulations.

THIRD ANGLE PROJECTION

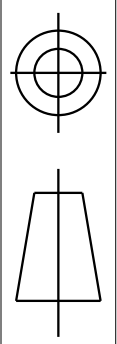
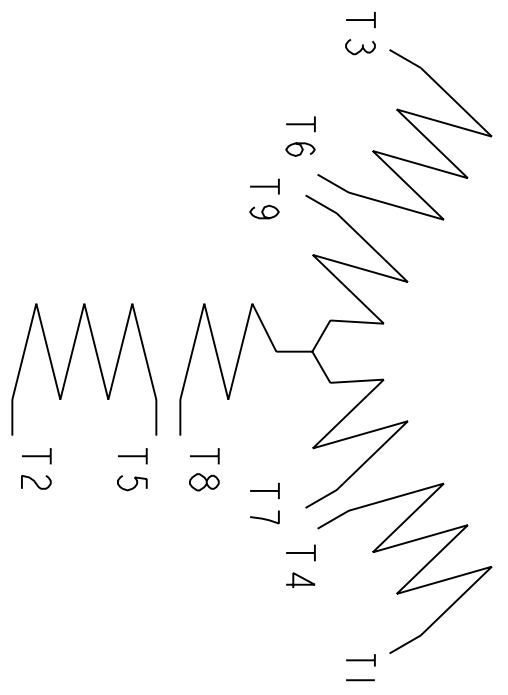


FIG. 2

3 PHASE



	VOLTS	L1	L2	L3	TOGETHER
2Y	LOW	1-7	2-8	3-9	4-5-6
1Y	HIGH	1	2	3	4-7, 5-8, 6-9

BRAKE MOTORS : CONNECT BRAKE LEADS B1 & B2 TO MOTOR LEADS T7 & T8.

FOR ADDITIONAL INFO REFER TO:

APPLIED PRACTICES	SIGNATURES	DATE
DIMENSIONS ARE IN INCHES	M.D. PAPE	02/25/03
DETAIL		
CHECKED		
ENGRG		
MFG		
QUALITY		
ISSUED	M.D. PAPE	02/25/03


  
**REGAL-BELOIT CORPORATION**

**CONNECTION DIAGRAM**

TOLERANCE ON:	FINISH
1 PL DECIMALS ± 0.1	✓
2 PL DECIMALS ± 0.02	
3 PL DECIMALS ± 0.005	
ANGLES ± 1.0	
FRACTIONS ±	
MATERIAL	SOLID MODEL: 113A930FIG2

TITLE	SIZE	DRAWING	SCALE	REF. No.	SHEET	REV
CONNECTION DIAGRAM	A	DRAWING	1.000		1 of 1	2

**MARATHON ELECTRIC CORPORATION**

TYPICAL PERFORMANCE CURVE for AC MOTOR

Customer

Curve at 460 Volts

HP 0.75&0.5

PHASE 3

Model No 5K46KN4085

60

HZ

VOLTS 208-230/460 & 190/380

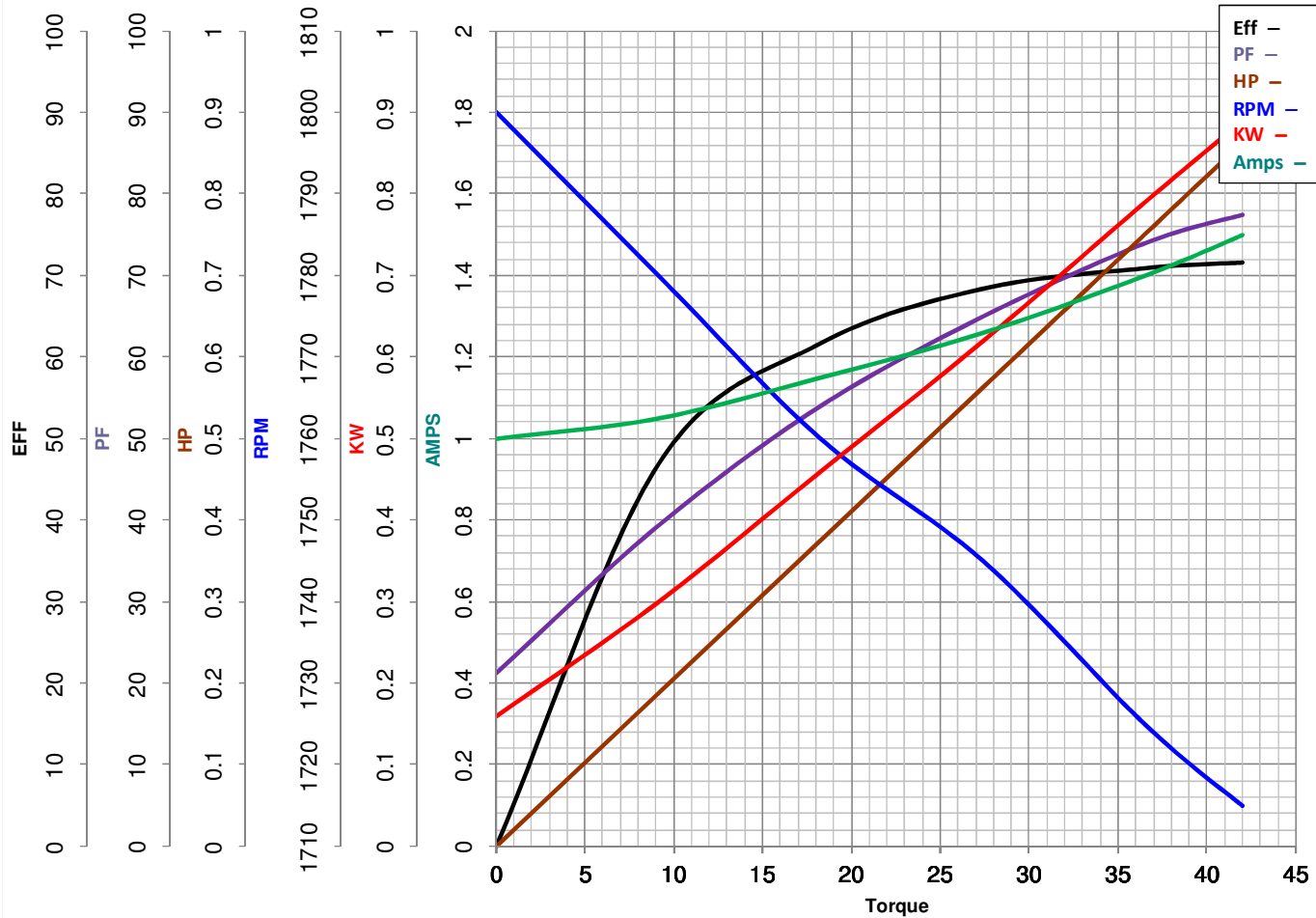
0.75

HP

Catalog No K277

HZ 60&50

RPM 1725 & 1425



Torque in OZ.Ft

FL TORQUE 36.5 OZ.Ft  
 BD TORQUE 125.4 OZ.Ft  
 LR TORQUE 105 OZ.Ft

FL AMPS 1.5  
 PU TORQUE 104.7 OZ.Ft  
 LR AMPS 7.45

WINDING 52X330716P1

Prepared By VINAYAK

Date 8/25/2017