

# PRODUCT INFORMATION PACKET

Model No: 5K46MN4087X  
Catalog No: K1412  
1,1725,DP,56,3/60/208-230/460  
Fan and Blower



Regal and Marathon are trademarks of Regal Beloit Corporation or one of its affiliated companies.  
©2018 Regal Beloit Corporation, All Rights Reserved. MC017097E

**Nameplate Specifications**

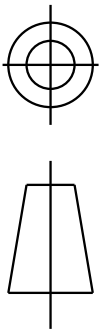
Output HP	<b>1 Hp</b>	Output KW	<b>0.75 kW</b>
Frequency	<b>60 Hz</b>	Voltage	<b>208-230/460 V</b>
Current	<b>3.6-3.8,1.9 A</b>	Speed	<b>1725 rpm</b>
Service Factor	<b>1.15</b>	Phase	<b>3</b>
Efficiency	<b>78.5 %</b>	Duty	<b>Continuous</b>
Insulation Class	<b>B</b>	Design Code	<b>B</b>
KVA Code	<b>L</b>	Frame	<b>56</b>
Enclosure	<b>Drip Proof</b>	Overload Protector	<b>AUTO</b>
Ambient Temperature	<b>40 °C</b>	Drive End Bearing Size	<b>6203</b>
Opp Drive End Bearing Size	<b>6203</b>	UL	<b>None</b>
CE	<b>N</b>	IP Code	<b>22</b>

**Technical Specifications**

Starting Method	<b>N/R</b>	Poles	<b>4</b>
Rotation	<b>Counterclockwise/Clockwise</b>	Mounting	<b>Resilient Base</b>
Motor Orientation	<b>ANY</b>	Drive End Bearing	<b>BALL</b>
Opp Drive End Bearing	<b>BALL</b>	Frame Material	<b>Rolled Steel</b>
Frame Length	<b>6.55 in</b>	Thru-bolts Extension	<b>0</b>
Outline Drawing	<b>52A109511P2</b>	Connection Diagram	<b>113A423</b>

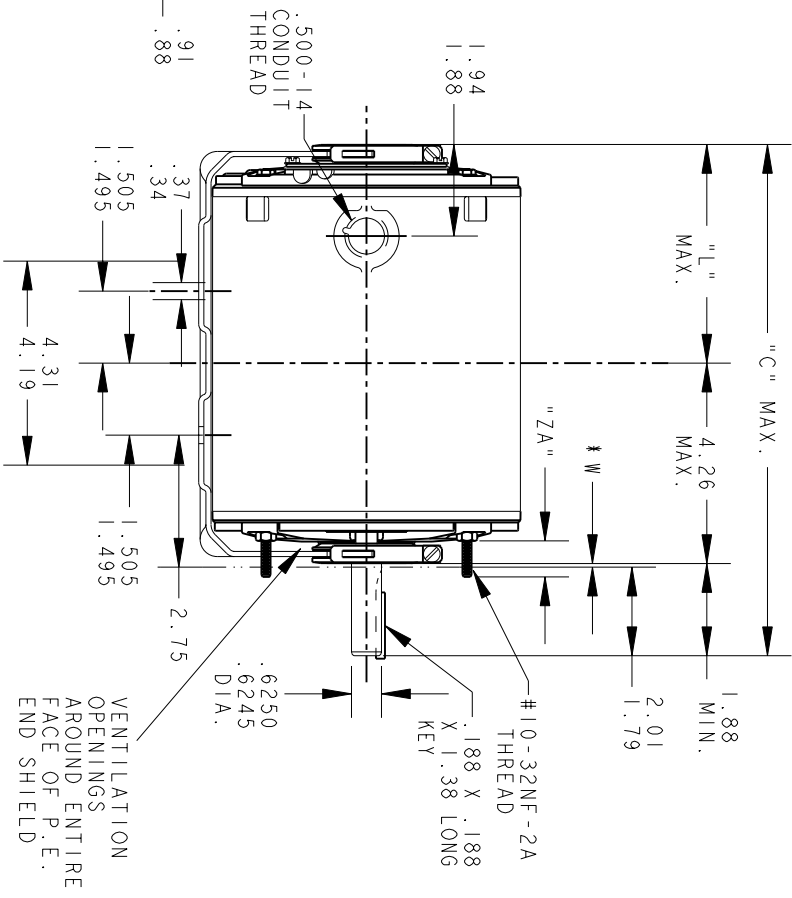
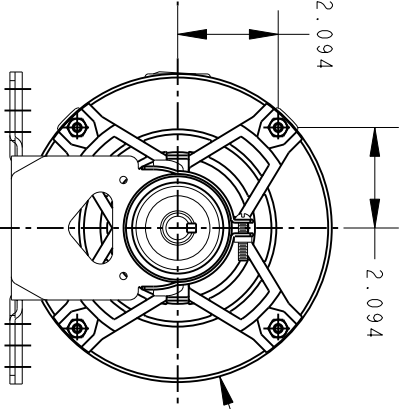
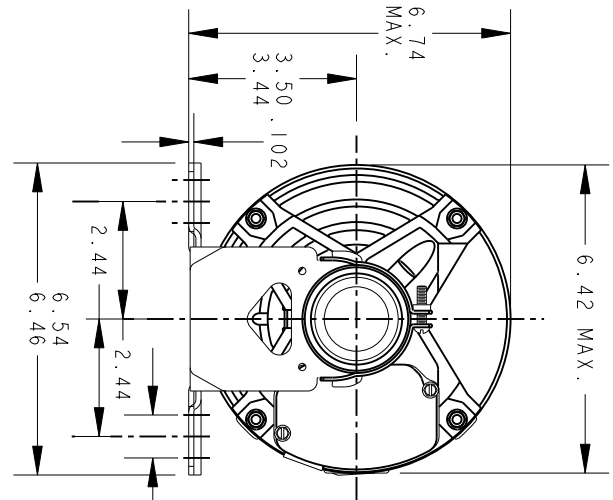
**This is an uncontrolled document once printed or downloaded and is subject to change without notice. Date Created: 10/31/2018**

THIRD ANGLE PROJECTION



REVISIONS

REV.	DESCRIPTION	DATE	APPROVED
2	ADDED PART #4.	07/05/94	M.D. PAPE
3	CHG TO RBC FORMAT PER IS05-1777	03/16/06	SUDHA



VIEW OF P.E. END SHIELD

\*W IS A VARIABLE CLEARANCE DUE TO VARIATIONS IN PARTS AND ASSEMBLY

ALL DIMENSIONS ARE IN INCHES

4	3	2	1	P
KH/K	KH/K	KH/K	KH/K	TYPE
49	49	46	46	GE
56	56	56	56	SIZE
12.01	11.48	10.88	10.88	NEMA "C"
5.75	5.22	4.62	4.62	FR. "L"
.62	.62	.62	.62	"ZA"

SIGNATURES	DATE
MODEL MA MARKS	03/29/94
DETAIL	
CHECKED	
ENGRG	
MFG	
QUALITY	
ISSUED	M.A.M. 03/29/94
SOLID MODEL: 52A109511	



REGAL-BELOTT CORPORATION

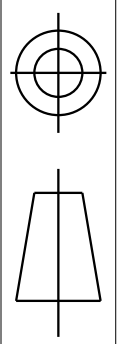
OUTLINE

GENERAL PURPOSE MOTOR - DRIP PROOF - BALL BEARING - RESILIENT BASE EXTENDED CLAMP SCREWS FMF - 40 FRAME REDESIGN

SIZE	DRAWING	REV
A		3

SCALE: 0.250 REF. No.: SHEET 1 of 1

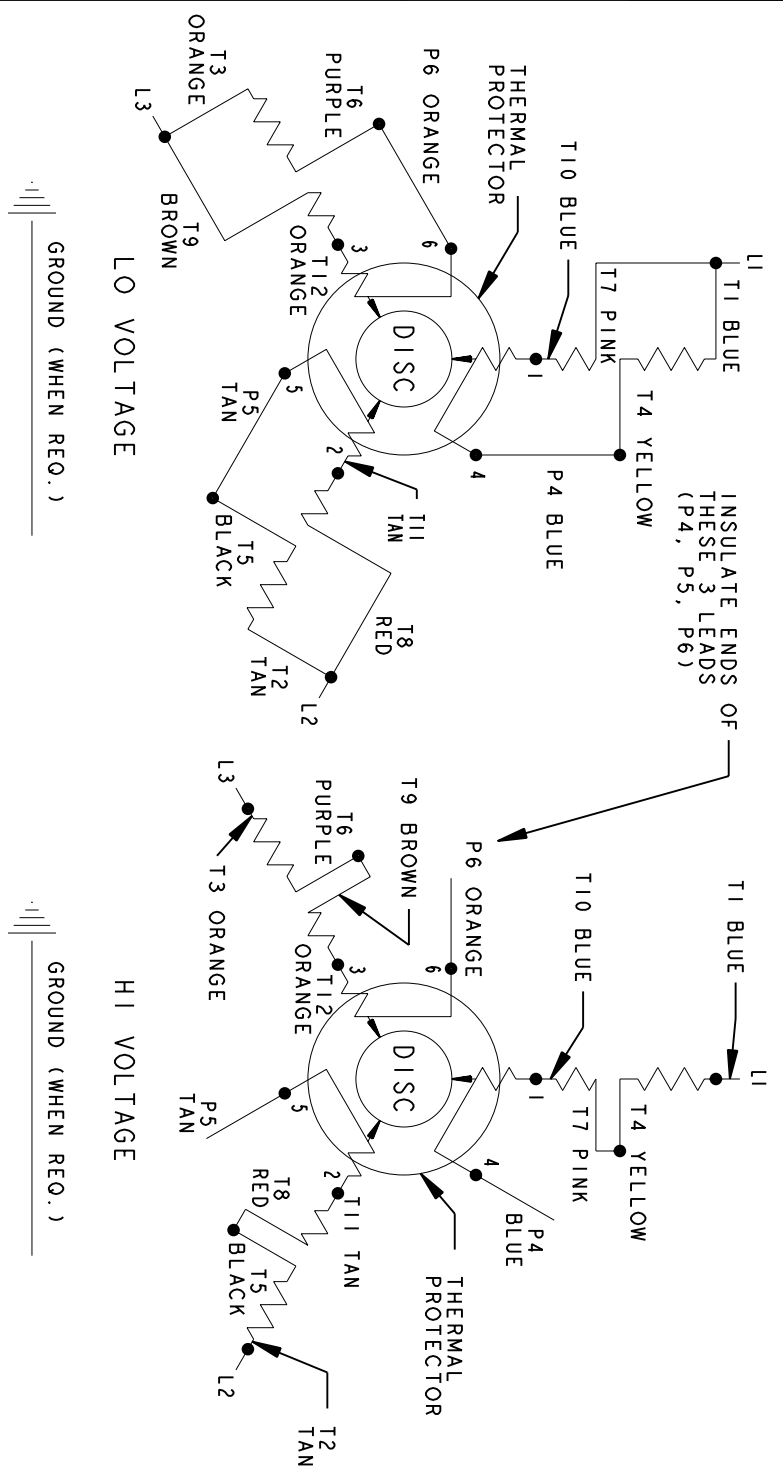
REV.	DESCRIPTION	DATE	APPROVED
7	LO VOLTAGE: "T8 RED" WAS "T3 RED"	09/25/92	BLJ
8	LABEL WAS 185178	04/04/95	M.A.M.
9	CHG TO RBC FORMAT PER IS05-1777	06/13/06	SUDHA



This document is the property of REGAL-BELOIT CORPORATION ("RBC") including its subsidiaries and divisions and contains proprietary information of RBC. This document is loaned on the express condition that neither the recipient nor any other person shall be permitted to disclose or disseminate the information contained herein without the express written consent of RBC. This document shall be returned to RBC upon its request. This document may be subject to certain restrictions under U.S. export control laws and regulations.

113A423 9

TYPE K - DUAL VOLTAGE - THREE PHASE -  
I2 LEAD WDG. - I2 LEADS OUT - THERMAL PROTECTION



NOTE #1 - TO REVERSE ROTATION, INTERCHANGE THE EXTERNAL CONNECTIONS TO ANY TWO LINE LEADS.

LABEL - NP185178AA

FOR ADDITIONAL INFO REFER TO:

APPLIED PRACTICES	MODEL	SIGNATURES	DATE
DIMENSIONS ARE IN INCHES	G.A.HILLSMIER		01/05/56
TOLERANCE ON: 1 PL DECIMALS ± 0.1 2 PL DECIMALS ± 0.02 3 PL DECIMALS ± 0.005	DETAIL		
ANGLES ± 1.0	CHECKED		
FRACTIONS ±	ENGRG		
	MF-G		
	QUALITY		
	ISSUED		
	B.L.J.		05/12/92

**REGAL-BELOIT CORPORATION**

**DIAGRAM - CONNECTION**  
TYPE K MOTORS

MATERIAL	FINISH	ISSUED	QUALITY	ENGRG	MF-G	SCALE	REF. No.
SOLID MODEL: 113A423	✓	B.L.J.				1:000	

SIZE: DRAWING A

SCALE: 1.000 REF. No. .

**113A423 9**

REV SHEET 1 of 1