

PRODUCT INFORMATION PACKET

Model No: 5K46MN4087
Catalog No: K278
1,1800,DP,56,3/60/50/208-230/460
Fan and Blower



Regal and Marathon are trademarks of Regal Beloit Corporation or one of its affiliated companies.
©2018 Regal Beloit Corporation, All Rights Reserved. MC017097E

Nameplate Specifications

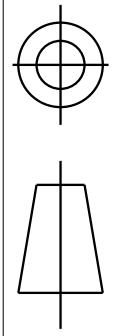
| | | | |
|----------------------------|----------------------|------------------------|----------------------|
| Output HP | 1 Hp | Output KW | 0.75 kW |
| Frequency | 60 Hz | Voltage | 208-230/460 V |
| Current | 3.6-3.8,1.9 A | Speed | 1725 rpm |
| Service Factor | 1.15 | Phase | 3 |
| Efficiency | 77.4 % | Duty | Continuous |
| Insulation Class | B | Design Code | B |
| KVA Code | L | Frame | 56 |
| Enclosure | Drip Proof | Overload Protector | N/R |
| Ambient Temperature | 40 °C | Drive End Bearing Size | 6203 |
| Opp Drive End Bearing Size | 6203 | UL | Recognized |
| CSA | Yes | CE | N |

Technical Specifications

| | | | |
|-------------------|-----------------------|-----------------------|-----------------------------------|
| Electrical Type | Three Phase | Starting Method | N/R |
| Poles | 4 | Rotation | Counterclockwise/Clockwise |
| Mounting | Resilient Base | Motor Orientation | ANY |
| Drive End Bearing | BALL | Opp Drive End Bearing | BALL |
| Frame Material | Rolled Steel | Overall Length | 10.88 in |
| Frame Length | 6.55 in | Shaft Diameter | 0.63 in |
| Shaft Extension | 1.88 in | Thru-bolts Extension | 0 |
| Outline Drawing | 52A109511P2 | Connection Diagram | 113A930FIG2 |

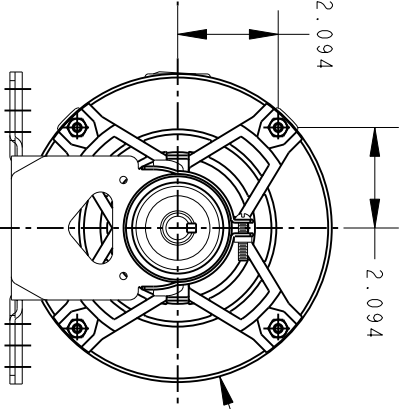
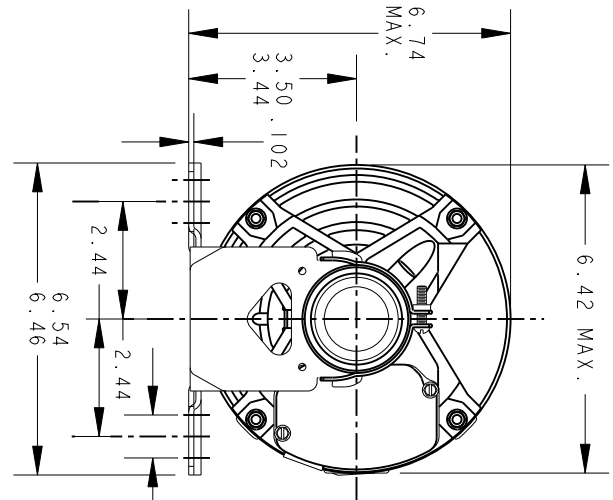
This is an uncontrolled document once printed or downloaded and is subject to change without notice. Date Created: 10/08/2018

THIRD ANGLE PROJECTION

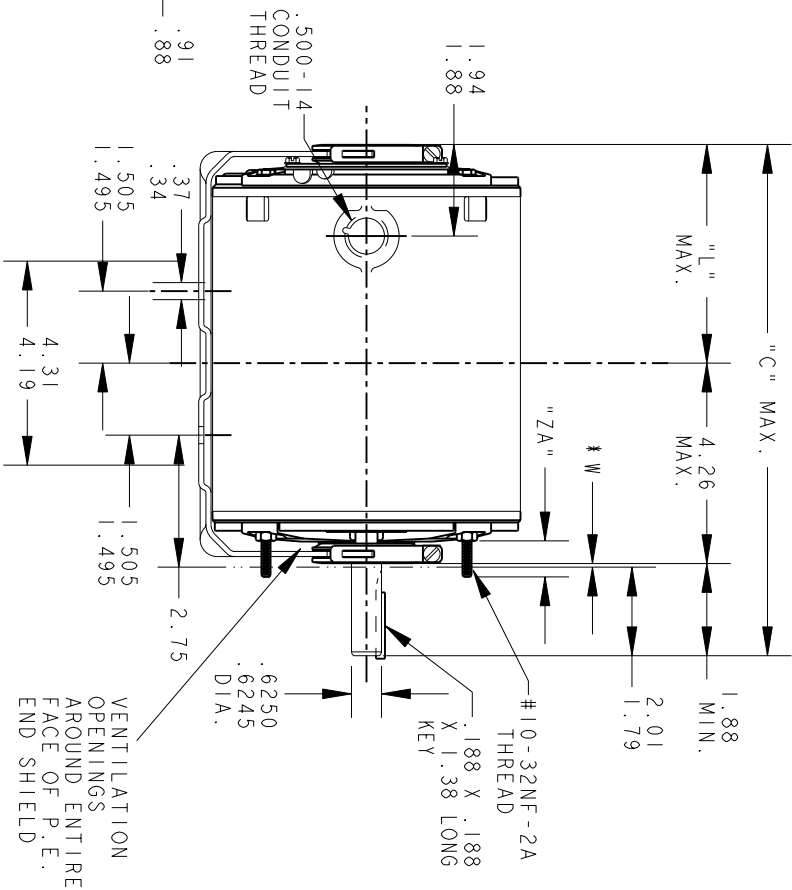


REVISIONS

| REV. | DESCRIPTION | DATE | APPROVED |
|------|---------------------------------|----------|-----------|
| 2 | ADDED PART #4. | 07/05/94 | M.D. PAPE |
| 3 | CHG TO RBC FORMAT PER IS05-1777 | 03/16/06 | SUDHA |



VIEW OF P.E. END SHIELD



*W IS A VARIABLE CLEARANCE DUE TO VARIATIONS IN PARTS AND ASSEMBLY

VENTILATION OPENINGS AROUND ENTIRE FACE OF P.E. END SHIELD

| 4 | 3 | 2 | 1 | P |
|-------|-------|-------|-------|----------|
| KH/K | KH/K | KH/K | KH/K | TYPE |
| 49 | 49 | 46 | 46 | GE |
| 56 | 56 | 56 | 56 | SIZE |
| 12.01 | 11.48 | 10.88 | 10.88 | NEMA "C" |
| 5.75 | 5.22 | 4.62 | 4.62 | "L" |
| .62 | .62 | .62 | .62 | "ZA" |

ALL DIMENSIONS ARE IN INCHES



REGAL-BELOTT CORPORATION

OUTLINE

GENERAL PURPOSE MOTOR - DRIP PROOF - BALL BEARING - RESILIENT BASE EXTENDED CLAMP SCREWS FMF - 40 FRAME REDESIGN

| | | | |
|-------------------------------|------------------------|----------|----------|
| FOR ADDITIONAL INFO REFER TO: | MODEL | MA MARKS | DATE |
| APPLIED PRACTICES | DETAIL | CHECKED | ENGRG |
| DIMENSIONS ARE IN INCHES | ISSUED | QUALITY | M.F.G |
| MATERIAL | SOLID MODEL: 52A109511 | ISSUED | M.A.M. |
| | | ISSUED | 03/29/94 |

| | | |
|-----------------|-----------|--------------|
| SCALE: 0.250 | REF. No.: | SHEET 1 of 1 |
| SIZE: DRAWING A | REV 3 | |

REVISIONS

| REV. | DESCRIPTION | DATE | APPROVED |
|------|--|----------|----------|
| 1 | CHG TO RBC FORMAT PER IS05-1777 | 06/15/06 | MADHU |
| 2 | RENAMED 113A930_FIG-2 TO 113A930FIG2 PER IS07-0972 | 05/08/07 | MADHU |

This document is the property of REGAL-BELOIT CORPORATION ("RBC") including its subsidiaries and divisions and contains proprietary information of RBC. This document is loaned on the express condition that neither the recipient nor any other person shall be permitted to disclose or disseminate the information contained herein without the express written consent of RBC. This document shall be returned to RBC upon its request. This document may be subject to certain restrictions under U.S. export control laws and regulations.

THIRD ANGLE PROJECTION

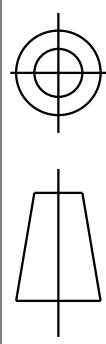
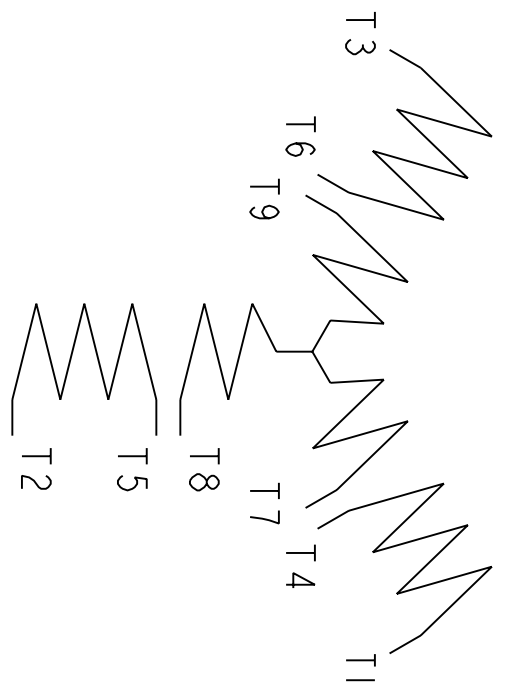


FIG. 2

3 PHASE



| | VOLTS | L1 | L2 | L3 | TOGETHER |
|----|-------|-----|-----|-----|---------------|
| 2Y | LOW | 1-7 | 2-8 | 3-9 | 4-5-6 |
| 1Y | HIGH | 1 | 2 | 3 | 4-7, 5-8, 6-9 |

BRAKE MOTORS : CONNECT BRAKE LEADS B1 & B2 TO MOTOR LEADS T7 & T8.

| FOR ADDITIONAL INFO REFER TO: | | SIGNATURES | | DATE |
|-------------------------------|--------------------------|------------|--|----------|
| APPLIED PRACTICES | MODEL | M.D. PAPER | | 02/23/03 |
| DIMENSIONS ARE IN INCHES | | | | |
| TOLERANCE ON: | | | | |
| 1 PL DECIMALS ± 0.1 | | | | |
| 2 PL DECIMALS ± 0.02 | | | | |
| 3 PL DECIMALS ± 0.005 | | | | |
| ANGLES ± 1.0 | | | | |
| FRACTIONS ± | | | | |
| FINISH | QUALITY | M.D. PAPER | | 02/23/03 |
| | ISSUED | | | |
| MATERIAL | SOLID MODEL: 113A930FIG2 | | | |



REGAL-BELOIT CORPORATION

CONNECTION DIAGRAM

| | | | | | |
|--------------|------|-------------|----------|--------|-----|
| TITLE | SIZE | DRAWING | REF. No. | SHEET | REV |
| | A | | | 1 of 1 | 2 |
| SCALE: 1.000 | | 113A930FIG2 | | | |