

PRODUCT INFORMATION PACKET

marathon[®]
Motors

Model No: 5K48TN2182
Catalog No: K226
3,3450,DP,56C,3/60/208-230/460
Three Phase



Regal and Marathon are trademarks of Regal Beloit Corporation or one of its affiliated companies.
©2018 Regal Beloit Corporation, All Rights Reserved. MC017097E

REGAL[®]

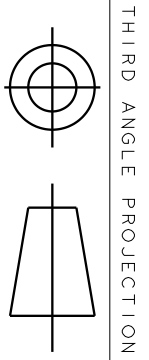
Nameplate Specifications

Output HP	3 Hp	Output KW	2.2 kW
Frequency	60 Hz	Voltage	208-230/460 V
Current	8.9-8.2,4.1 A	Speed	3450 rpm
Service Factor	1.15	Phase	3
Efficiency	84 %	Duty	Continuous
Insulation Class	B	Design Code	B
KVA Code	J	Frame	56C
Enclosure	Drip Proof	Overload Protector	N/R
Ambient Temperature	40 °C	Drive End Bearing Size	6205
Opp Drive End Bearing Size	6203	UL	Recognized
CSA	Yes	CE	N

Technical Specifications

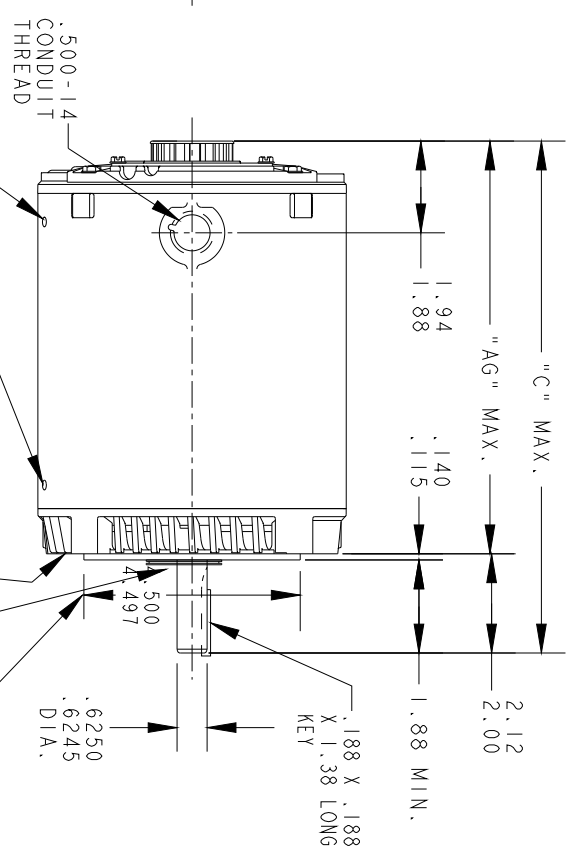
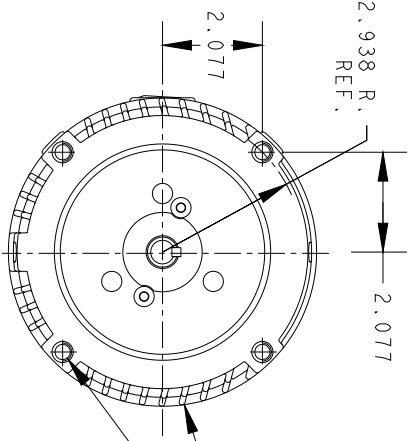
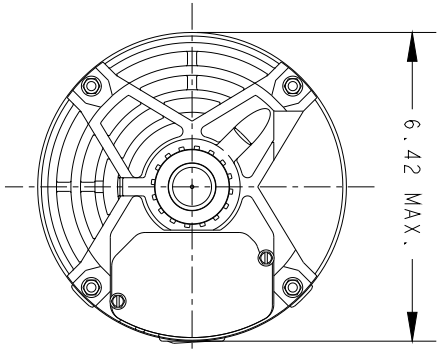
Electrical Type	Three Phase	Starting Method	N/R
Poles	2	Rotation	Counterclockwise/Clockwise
Mounting	Round	Motor Orientation	ANY
Drive End Bearing	LOCKED	Opp Drive End Bearing	BALL
Frame Material	Rolled Steel	Overall Length	12.61 in
Frame Length	8.43 in	Shaft Diameter	0.63 in
Shaft Extension	1.88 in	Thru-bolts Extension	0
Outline Drawing	52A109648P3	Connection Diagram	113A930FIG2

This is an uncontrolled document once printed or downloaded and is subject to change without notice. Date Created: 10/08/2018



THIRD ANGLE PROJECTION

REVISIONS		DATE	APPROVED
REV.	DESCRIPTION	DATE	APPROVED
3	ADDED PT#5 PER DS05-0574.	05/04/05	K.P.G
4	CHG TO RBC FORMAT PER IS05-1777	03/22/06	SUDHA
5	"SLINGER" ADDED PER IS11-5514	12/01/2012	KOTI



ALL DIMENSIONS ARE IN INCHES

5	4	3	2	1	P
K	K	K	K	K	TYPE
49	49	48	49	46	GE SIZE
56C	56C	56C	56C	56C	NEMA FR.
13.81	9.52	12.61	11.33	10.73	"C"
11.69	7.40	10.49	9.21	8.61	"AG"
					MIN. SHELL

SIGNATURES		DATE
MODEL	M.D.PAPE	07/14/94
DETAIL		
CHECKED		
ENGRG		
MFG		
QUALITY		
ISSUED	M.D.PAPE	07/14/94
APPLIED PRACTICES		
FOR ADDITIONAL INFO REFER TO:		
MATERIAL	SOLID MODEL: 52A109648	



REGAL-BELOTT CORPORATION

OUTLINE

GENERAL PURPOSE MOTOR - DRIP PROOF - BALL BEARING R2 END MOUNTED FMF - 40 FRAME REDESIGN

52A109648

SCALE: 0.250 REF. No:

SHEET 1 of 1

REV.	DESCRIPTION	DATE	APPROVED
1	CHG TO RBC FORMAT PER IS05-1777	06/15/06	MADHU
2	RENAMED 113A930_FIG-2 TO 113A930FIG2 PER IS07-0972	05/08/07	MADHU

This document is the property of REGAL-BELOIT CORPORATION ("RBC") including its subsidiaries and divisions and contains proprietary information of RBC. This document is loaned on the express condition that neither the recipient nor any other person to whom it is loaned shall disclose or disseminate its contents, information contained hereon, or make any copies without the express written consent of RBC. RBC shall retain the right to remove or restrict access to this document at any time. This document shall be returned to RBC upon its request. This document may be subject to certain restrictions under U.S. export control laws and regulations.

THIRD ANGLE PROJECTION

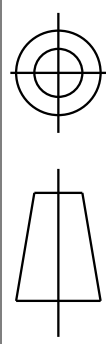
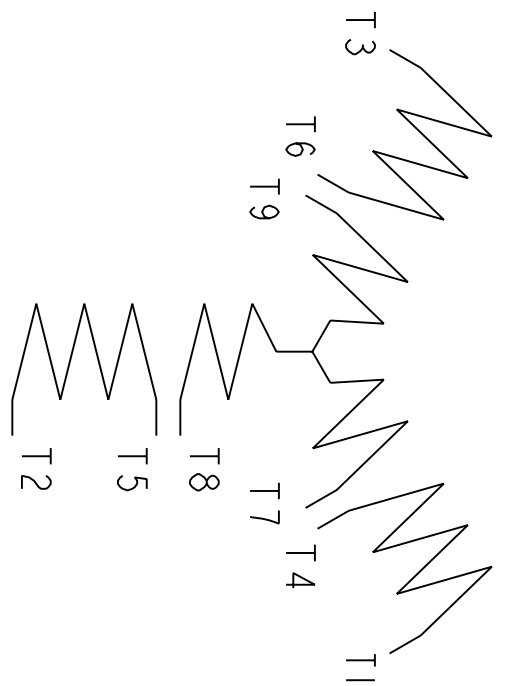


FIG. 2

3 PHASE



	VOLTS	L1	L2	L3	TOGETHER
2Y	LOW	1-7	2-8	3-9	4-5-6
1Y	HIGH	1	2	3	4-7, 5-8, 6-9

BRAKE MOTORS : CONNECT BRAKE LEADS B1 & B2 TO MOTOR LEADS T7 & T8.

FOR ADDITIONAL INFO REFER TO:	SIGNATURES	DATE
APPLIED PRACTICES	M.D. PAPE	02/23/03
DIMENSIONS ARE IN INCHES	DETAIL	.
TOLERANCE ON:	CHECKED	.
1 PL DECIMALS ± 0.1	ENGRG	.
2 PL DECIMALS ± 0.02	MFG	.
3 PL DECIMALS ± 0.005	QUALITY	.
ANGLES ± 1.0	ISSUED	M.D. PAPE
FRACTIONS ±	FINISH	02/23/03
MATERIAL	SOLID MODEL: 113A930F1G2	



REGAL-BELOIT CORPORATION

TITLE CONNECTION DIAGRAM

SIZE	DRAWING	SCALE: 1.000	REF. No:	SHEET 1 of 1
A				
	113A930FIG2			REV 2