

PRODUCT INFORMATION PACKET

marathon[®]
Motors

Model No: 5K49KN4142
Catalog No: K286
3/4,1725,TENV,56,3/60/208-230/460
Fan and Blower



Regal and Marathon are trademarks of Regal Beloit Corporation or one of its affiliated companies.
©2018 Regal Beloit Corporation, All Rights Reserved. MC017097E

REGAL[®]

Nameplate Specifications

Output HP	3/4 Hp	Output KW	0.56 kW
Frequency	60 Hz	Voltage	208-230/460 V
Current	3.3-3.0,1.5 A	Speed	1725 rpm
Service Factor	1	Phase	3
Efficiency	74 %	Duty	Continuous
Insulation Class	B	Design Code	M
KVA Code	K	Frame	56
Enclosure	Totally Enclosed Non Ventilated	Overload Protector	N/R
Ambient Temperature	40 °C	Drive End Bearing Size	6203
Opp Drive End Bearing Size	6203	UL	Recognized
CSA	Yes	CE	N

Technical Specifications

Electrical Type	Three Phase	Starting Method	N/R
Poles	4	Rotation	Counterclockwise/Clockwise
Mounting	Resilient Base	Motor Orientation	ANY
Drive End Bearing	BALL	Opp Drive End Bearing	BALL
Frame Material	Rolled Steel	Overall Length	10.48 in
Frame Length	6.15 in	Shaft Diameter	0.63 in
Shaft Extension	1.88 in	Thru-bolts Extension	0
Outline Drawing	52A109682P4	Connection Diagram	113A930FIG2

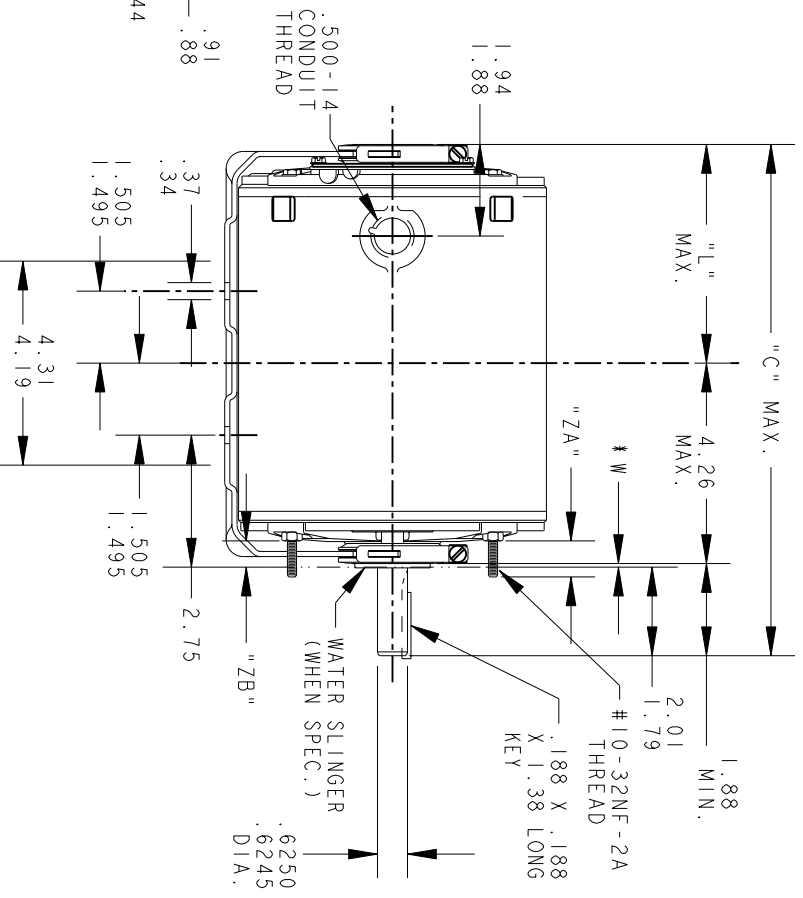
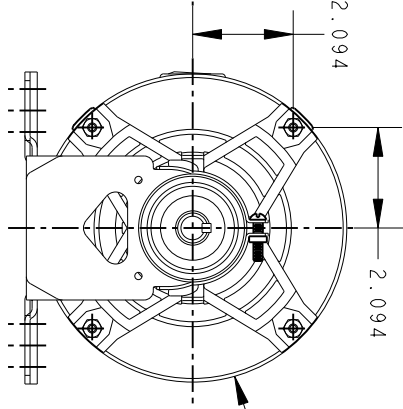
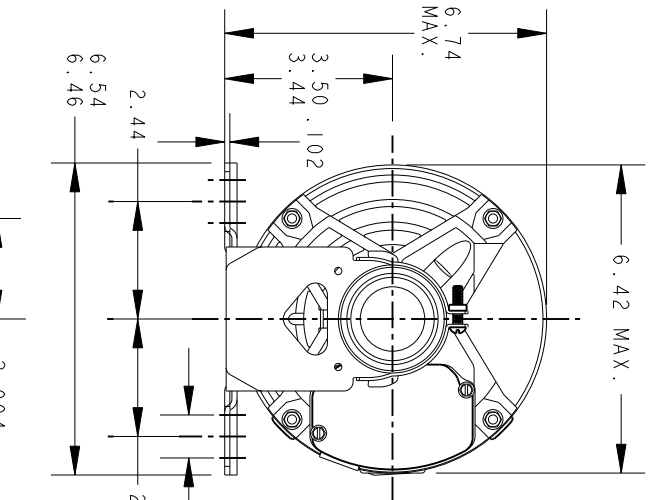
This is an uncontrolled document once printed or downloaded and is subject to change without notice. Date Created: 10/08/2018



THIRD ANGLE PROJECTION

REVISIONS

REV.	DESCRIPTION	DATE	APPROVED
1	ADDED WATER SLINGER.	09/21/95	M.D. PAPE
2	CHG TO RBC FORMAT PER IS05-11777	03/23/06	SUDHA



* W IS A VARIABLE CLEARANCE DUE TO VARIATIONS IN PARTS AND ASSEMBLY

VIEW OF P.E. END SHIELD

P	TYPE	GE SIZE	NEMA FR.	"C"	"L"	"ZA"	"ZB"	MIN. SHELL
4	KH/K	49	56	10.48	4.22	.62	.51/.44	6.15
3	KH/K	49	56	11.48	5.22	.62	.51/.44	7.15
2	KH/K	46	56	10.88	4.62	.62	.51/.44	6.55
1	KC	46	56	10.88	4.62	.62	.51/.44	6.55

ALL DIMENSIONS ARE IN INCHES

SIGNATURES		DATE
MODEL	MA MARKS	09/20/94
DETAIL		
CHECKED		
ENGRG		
MFG		
QUALITY		
ISSUED	M.A.M.	09/20/94
SOLID MODEL: 52A109682		



REGAL-BELOIT CORPORATION

TITLE OUTLINE

GENERAL PURPOSE MOTOR TENV - BALL

BEARING - RESILIENT BASE EXTENDED CLAMP SCREWS FIVE - 40 FRAME REDESIGN

SIZE DRAWING A

SCALE: 0.250 REF. No.:

52A109682

REV 2

SHEET 1 of 1

REVISIONS

REV.	DESCRIPTION	DATE	APPROVED
1	CHG TO RBC FORMAT PER IS05-1777	06/15/06	MADHU
2	RENAMED 113A930_FIG-2 TO 113A930FIG2 PER IS07-0972	05/08/07	MADHU

This document is the property of REGAL-BELOIT CORPORATION ("RBC") including its subsidiaries and divisions and contains proprietary information of RBC. This document is loaned on the express condition that neither the recipient nor any other person shall be permitted to disclose or disseminate the information contained herein without the express written consent of RBC. This document shall be returned to RBC upon its request. This document may be subject to certain restrictions under U.S. export control laws and regulations.

THIRD ANGLE PROJECTION

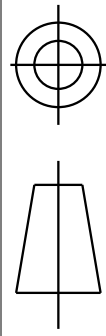
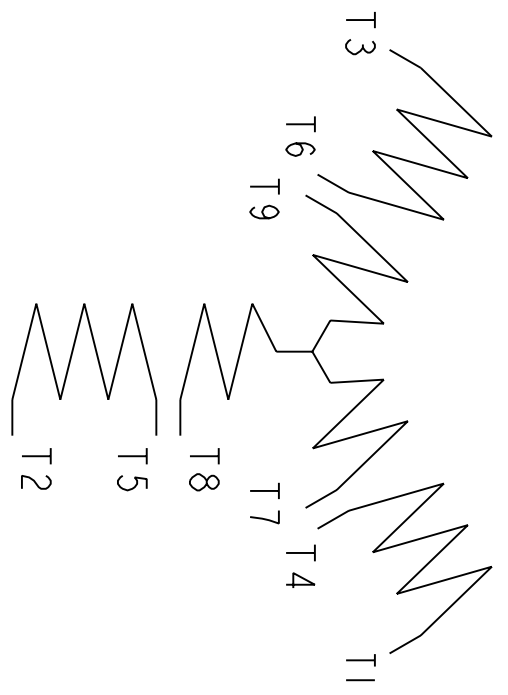


FIG. 2

3 PHASE



	VOLTS	L1	L2	L3	TOGETHER
2Y	LOW	1-7	2-8	3-9	4-5-6
1Y	HIGH	1	2	3	4-7, 5-8, 6-9

BRAKE MOTORS : CONNECT BRAKE LEADS B1 & B2 TO MOTOR LEADS T7 & T8.

FOR ADDITIONAL INFO REFER TO:	SIGNATURES	DATE
APPLIED PRACTICES	M.D. PAPE	02/23/03
DIMENSIONS ARE IN INCHES	DETAIL	.
TOLERANCE ON:	CHECKED	.
1 PL DECIMALS ± 0.1	ENGRG	.
2 PL DECIMALS ± 0.02	MFG	.
3 PL DECIMALS ± 0.005	QUALITY	.
ANGLES ± 1.0	ISSUED	M.D. PAPE
FRACTIONS ±	FINISH	02/23/03
MATERIAL	SOLID MODEL: 113A930FIG2	



REGAL-BELOIT CORPORATION

CONNECTION DIAGRAM

TITLE	SIZE	DRAWING	SCALE: 1.000	REF. No:	SHEET 1 of 1
	A				
		113A930FIG2			REV 2