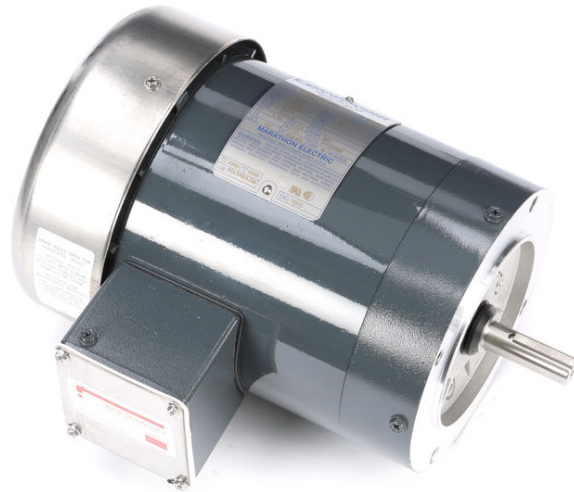


PRODUCT INFORMATION PACKET

Model No: 5K49MN4620
Catalog No: K607
3/4,1800,TEFC,56C,3/60/230/460
Severe Duty



Regal and Marathon are trademarks of Regal Beloit Corporation or one of its affiliated companies.
©2018 Regal Beloit Corporation, All Rights Reserved. MC017097E



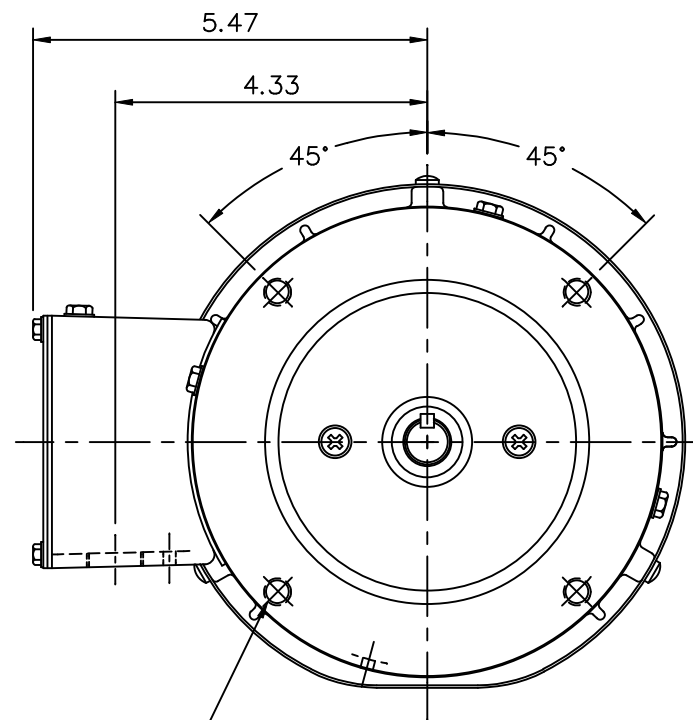
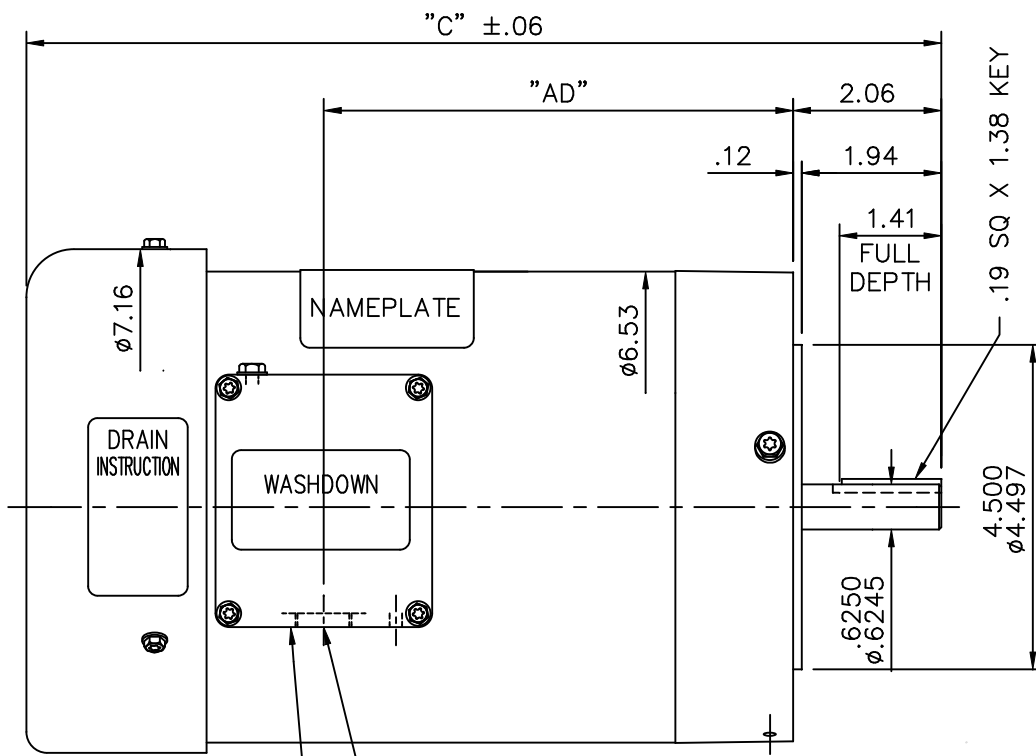
Nameplate Specifications

Output HP	0.75 Hp	Output KW	0.56 kW
Frequency	60 Hz	Voltage	230/460 V
Current	3.0/1.5 A	Speed	1725 rpm
Service Factor	1.15	Phase	3
Efficiency	77 %	Duty	Continuous
Insulation Class	F	Design Code	B
KVA Code	N	Frame	56C
Enclosure	Totally Enclosed Fan Cooled	Overload Protector	Automatic
Ambient Temperature	40 °C	Drive End Bearing Size	6205
Opp Drive End Bearing Size	6203	UL	Recognized
CSA	Y	CE	N
IP Code	56		

Technical Specifications

Electrical Type	Squirrel Cage Induction Run	Starting Method	Across The Line
Poles	4	Rotation	Reversible
Mounting	Round	Motor Orientation	HORIZONTAL
Drive End Bearing	BALL	Opp Drive End Bearing	BALL
Frame Material	Rolled Steel	Shaft Type	NEMA 56
Overall Length	11.69 in	Frame Length	5.50 in
Shaft Diameter	0.625 in	Shaft Extension	2.06 in
Assembly/Box Mounting	F1 ONLY		
Outline Drawing	028716ME-550	Connection Diagram	005010.20ME

This is an uncontrolled document once printed or downloaded and is subject to change without notice. Date Created: 10/30/2018



DECAL- CONNECTION & T'STAT. UNDER COVER (WHEN REQ'D)

(1) 1/2-14 NPT (PLUGGED)

SPECIAL FEATURES:

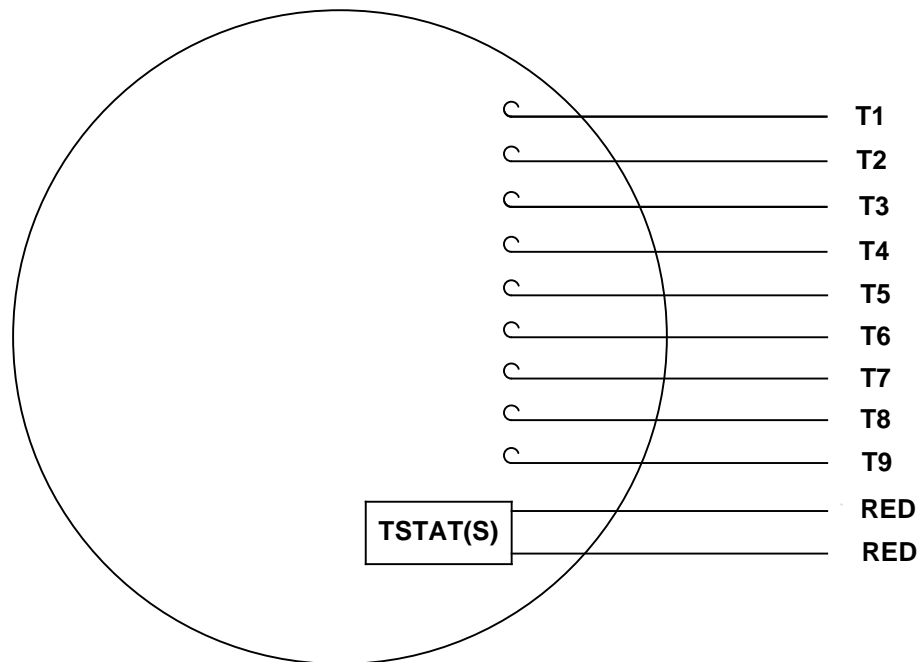
- 1) SHAFT SEALS & V-RING
- 2) DRAIN HOLES IN BOTH ENDBELLS & CONDUIT BOX
- 3) GASKETS THROUGHOUT
- 4) STAINLESS STEEL SHAFT, HARDWARE & NAMEPLATE

DASH NO.	"C"	"AD"
450	10.69	4.50
500	11.19	5.00
550	11.69	5.50
600	12.19	6.00
650	12.69	6.50

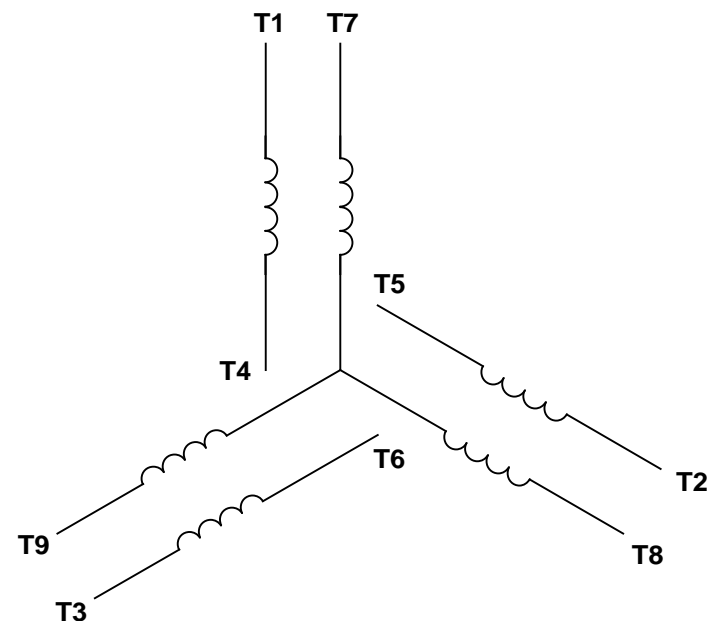
MAXIMUM FACE RUNOUT .004 T.I.R.
 MAXIMUM PILOT ECCENTRICITY .004 T.I.R.
 PERMISSIBLE SHAFT RUNOUT .002 T.I.R.

		TOLERANCES UNLESS SPECIFIED		MARATHON ELECTRIC	DRAWN LST 7/9/09				
		DEC.	INCHES		CHK				
		.X	±.1	TITLE OUTLINE- 56C FRAME TEFC- "C" FACE MAT'L. FINISH	APPD				
		.XX	±.03		SCALE	3=8			
		.XXX	±.005		REF	112644			
		.XXXX	±.0005		FMF				
NO.	REVISION	BY & DATE	CHK ANG ±1/2'		PREV				
THIS DRAWING IN DESIGN AND DETAIL IS OUR PROPERTY AND MUST NOT BE USED EXCEPT IN CONNECTION WITH OUR WORK ALL RIGHTS OF DESIGN AND INVENTION ARE RESERVED THIS IS AN ELECTRONICALLY GENERATED DOCUMENT - DO NOT SCALE THIS PRINT				RFP	CAD FILE	028716ME	SIZE	DRAWING NO.	REV.
				DIST			A	028716ME	

VIEW FROM OUTSIDE OF MOTOR AT SWITCH END.



LINE LEADS



VOLTAGE	L1	L2	L3	JOIN & INSULATE
HIGH	T1	T2	T3	(T4, T7) (T5, T8) (T6, T9)
LOW	T1, T7	T2, T8	T3, T9	T4, T5, T6

RBC PROPRIETARY AND CONFIDENTIAL INFORMATION
 This document is the property of REGAL BELOIT CORPORATION ("RBC") including its subsidiaries and divisions and contains proprietary information of RBC. This document is loaned on the express condition that neither it nor the information contained therein shall be disclosed to others without the express written consent of RBC, and that the information shall be used by the recipient only as approved expressly by RBC. This document shall be returned to RBC upon its request. This document may be subject to certain restrictions under U.S. export control laws and regulations.

		TOLERANCES UNLESS SPECIFIED				DRAWN RDW 04/13/04	
		DEC	INCHES			CHK	
		.X	±.1			APPR	
		.XX	±.01			SCALE 1:1	
			.XXX	±.005	TITLE EXTERNAL WIRING DIAGRAM		REF
			.XXX	±.0005	3 PHASE		
--	REDRAWN IN SOLIDWORKS	VJB 02/08/11		.XXX	±.0005	MAT'L DECAL - 004014 (TSTAT) - 080582	FMF 129027
NO	REVISION	BY & DATE	CHK	ANG	±1/2°	FINISH	PAGE OF
THIRD ANGLE PROJECTION			RFP	PREV			SIZE
			NETWORK FILE NAME 00501020ME			DRAWING NO	
						A 005010-20ME	
						REV	
						--	



P.O. BOX 8003
WAUSAU, WI 54401-8003
PH. 715-675-3311

DATA VOLTS: 460

CERTIFICATION DATA SHEET

CUSTOMER P.O. #:
 ORDER #: 00501020ME
 REFERENCE MODEL #: 5K49MND620
 CONN. DIAGRAM: 028716ME-550
 CAT #: K607
 OUTLINE: T634377
 CUSTOMER PART #:
 WINDING: NONE 3
 MOUNTING: F1 ONLY
 SPEED:
 TYPICAL MOTOR PERFORMANCE DATA

HP	KW	SYNC RPM	FL RPM	FRAME	ENCLOSURE	TYPE	KVA CODE	DESIGN
0.75	0.56	1800	1749	56	TEFC	NA	N	B

PH	HZ	VOLTS	AMPS	START TYPE	DUTY	INSL	S.F.	AMB	ELEV.
3	60	230/460	2.9/1.45	ACROSS-THE LINE	CONT	F	1.15	40	3300
	F.L. EFF	77.6	3/4 LD EFF	76.0	1/2 LD EFF	70.9	GTD EFF		ELECT. TYPE
	F.L. PF	62.4	3/4 LD PF	53.5	1/2 LD PF	41.5	0.0		SQ CAGE IND RUN

F.L. TORQUE	LR AMPS @ 460 V	L.R. TORQUE	B.D. TORQUE	F.L. RISE (°C)		
575 LB-FT	10.5	2.653 LB-FT	3.005 LB-FT	523%		
@ 3 FT.	POWER	ROTOR WK ²	MAX. LOAD WK ²	SAFE STALL TIME	START/SHOUR	MOTOR WGT
999 DBA	1008 DBA	0.07 LB-FT ²	0.1 LB-FT ²	0 SEC.	0	0 LB.

*** SUPPLEMENTAL INFORMATION ***

DE BRACKET TYPE	ODE BRACKET TYPE	MOUNT TYPE	MOTOR ORIENTATION	SEVERE DUTY	HAZARDOUS LOCATION	DRIP COVER	SCREENS	PAINT
STANDARD	STANDARD	ROUND	HORIZONTAL	NO	NONE	NO	NONE	GRAY - EPOXY

BEARINGS	GREASE	SHAFT TYPE	SPECIAL DE	SPECIAL ODE	SHAFT	MATERIAL	FRAME MATERIAL
DE BALL 6205	POLYREX EM	STANDARD 56	NONE	NONE	1144	STRESSPROOF (C-223)	ROLLED STEEL

THERMOSTATS	PROTECTORS	WDG RTD's	BRG RTD's	THERMISTORS	CONTROL	SPACE HEATERS
NONE	AUTOMATIC	NONE	NONE	NONE	FALSE	NA

R1 (ohms/ph)	R2 (ohms/ph)	X1 (ohms/ph)	X2 (ohms/ph)	Xm (ohms/ph)	VIBRATION (in/sec)	FLOAT
0	0	0	0	0	0.080	ODE

* INVERTER TORQUE: NONE	
O INV. HP SPEED RANGE: NONE	
T ENCODER: NONE	
E NONE	
S NONE	
BRAKE: NONE	
FT-LB: NONE	
VOLTAGE: NONE	
HZ: NONE	

PREPARED BY: FAREEDA DUDEKULA
 DATE: 9/19/2018
 FORM: 3531 REV 4 2/27/06
 UL: X-GE-INS. CONST. AUTO PRT UL REC

Data Sheet

5K49MNA620



Submital Data @ 460 V

Date: 8/29/2018
 Customer: _____
 Attention: _____
 Submitted by: FAREEDA DUDEKULA

Load	Motor Load Data									
	0%	25%	50%	75%	100%	115%	125%	LR		
Current (Amps)	1.12	1.17	1.21	1.31	1.45	1.53	1.60	10.5		
Torque (ft-lb)	0.00	1.44	2.88	4.33	5.75	10.361	7.21	2.653		
RPM	1800	1780	1773	1762	1749	1,744	1736	0		
Efficiency (%)		43.5	70.9	76.0	77.6	78.6	79.5			
P.F. (%)	11.4	35.1	41.5	53.5	62.4	65.5	68.6	0.0		

	Motor Speed Data					Information Block																			
	LR	Pull-Up	BD	Rated	Idle	HP	Frame	Enclosure	Construction	Voltage	Frequency	Design	LR Code letter	Service Factor	Temp Rise @ FL	Duty	Ambient	Elevation	Motor/Shaft wk ²	Ret Wdg	Sound Pressure @ 1M	VFD Rating	Outline Dwg	Conn. Diag	Additional Specifications:
Speed (RPM)	0	900	1656	1749	1800	0.8	140182TFC080	TEFC	NA	230/460	60	B	N	1.15	45	CONT	40	1,000	0.07	NONE	999	NONE	028716ME-550	005010.20ME	
Current (Amps)	10.5	9.7	6.3	1.45	1.12																				
Torque (ft-lb)	2.653	2.622	3.005	5.75	0.00																				

