

PRODUCT INFORMATION PACKET

Model No: 5K49MN6080
Catalog No: K285
1/2,1140,TENV,56,3/60/208-230/460
Fan and Blower



Regal and Marathon are trademarks of Regal Beloit Corporation or one of its affiliated companies.
©2018 Regal Beloit Corporation, All Rights Reserved. MC017097E

Nameplate Specifications

Output HP	1/2 Hp	Output KW	0.37 kW
Frequency	60 Hz	Voltage	208-230/460 V
Current	2.6-2.6,1.3 A	Speed	1140 rpm
Service Factor	1	Phase	3
Efficiency	70 %	Duty	Continuous
Insulation Class	B	KVA Code	L
Frame	56	Enclosure	Totally Enclosed Non Ventilated
Overload Protector	N/R	Ambient Temperature	40 °C
Drive End Bearing Size	6203	Opp Drive End Bearing Size	6203
UL	Recognized	CSA	Yes
CE	N		

Technical Specifications

Electrical Type	Three Phase	Starting Method	N/R
Poles	6	Rotation	Counterclockwise/Clockwise
Mounting	Resilient Base	Motor Orientation	ANY
Drive End Bearing	BALL	Opp Drive End Bearing	BALL
Frame Material	Rolled Steel	Overall Length	10.48 in
Frame Length	6.15 in	Shaft Diameter	0.63 in
Shaft Extension	1.88 in	Thru-bolts Extension	0
Outline Drawing	52A107714P4	Connection Diagram	113A930FIG2

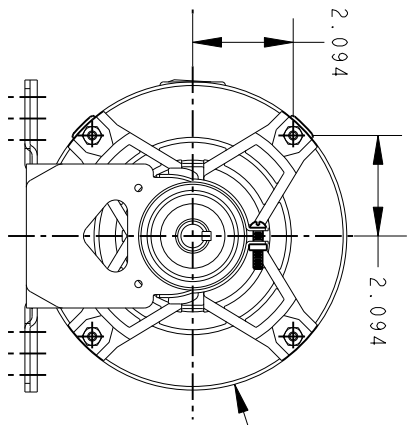
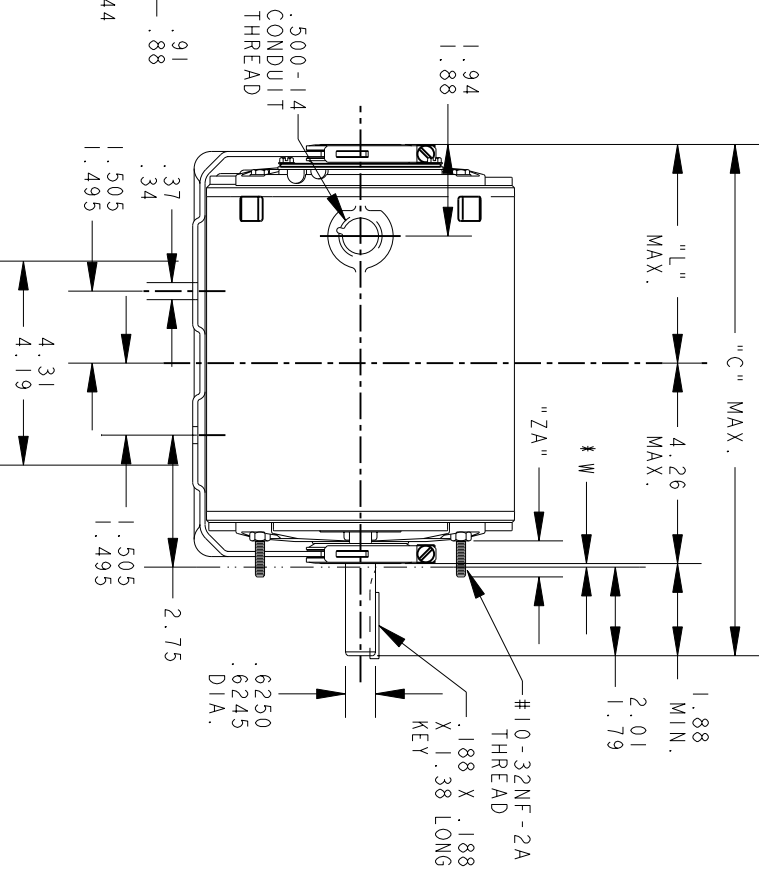
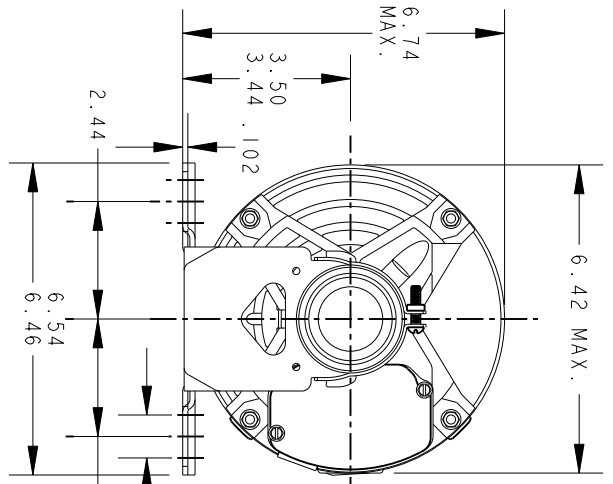
This is an uncontrolled document once printed or downloaded and is subject to change without notice. Date Created: 10/08/2018

THIRD ANGLE PROJECTION



REVISIONS

REV.	DESCRIPTION	DATE	APPROVED
4	RETRACTED, ADDED PART #4.	04/22/94	M.D. PAPE
5	CHG TO RBC FORMAT PER IS05-11777	03/01/06	SUDHA



VIEW OF P.E. END SHIELD

* W IS A VARIABLE CLEARANCE DUE TO VARIATIONS IN PARTS AND ASSEMBLY

ALL DIMENSIONS ARE IN INCHES

4	3	2	1	P
KH/K	KH/K	KH/K	KC	TYPE
49	49	46	46	GE
56	56	56	56	SIZE
10.48	11.48	10.88	10.88	NEMA
4.22	5.22	4.62	4.62	"C"
.62	.62	.62	.62	"L"
				"ZA"

4	3	2	1	P
6.15	7.15	6.55	6.55	MIN. SHELL



REGAL-BELOTT CORPORATION

OUTLINE

GENERAL PURPOSE MOTOR TENV - BALL BEARING - RESILIENT BASE EXTENDED CLAMP SCREWS FWF - 40 FRAME REDESIGN

SIGNATURES		DATE
MODEL	B. JOHNSON	08/13/91
DETAIL		
CHECKED		
ENGRG		
MFG		
QUALITY		
ISSUED	M.D. PAPE	04/22/94
APPLIED PRACTICES		
DIMENSIONS ARE IN INCHES		
MATERIAL	SOLID MODEL: 52A107714	

SIZE	SCALE	REF. No.	SHEET
DRAWING A	0.250		1 of 1

52A107714 5

REVISIONS

REV.	DESCRIPTION	DATE	APPROVED
1	CHG TO RBC FORMAT PER IS05-1777	06/15/06	MADHU
2	RENAMED 113A930_FIG-2 TO 113A930FIG2 PER IS07-0972	05/08/07	MADHU

This document is the property of REGAL-BELOIT CORPORATION ("RBC") including its subsidiaries and divisions and contains proprietary information of RBC. This document is loaned on the express condition that neither the recipient nor any other person shall be permitted to disclose or disseminate the information contained herein without the express prior written approval of RBC. This document shall be returned to RBC upon its request. This document may be subject to certain restrictions under U.S. export control laws and regulations.

THIRD ANGLE PROJECTION

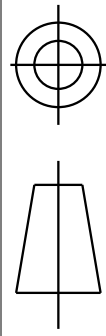
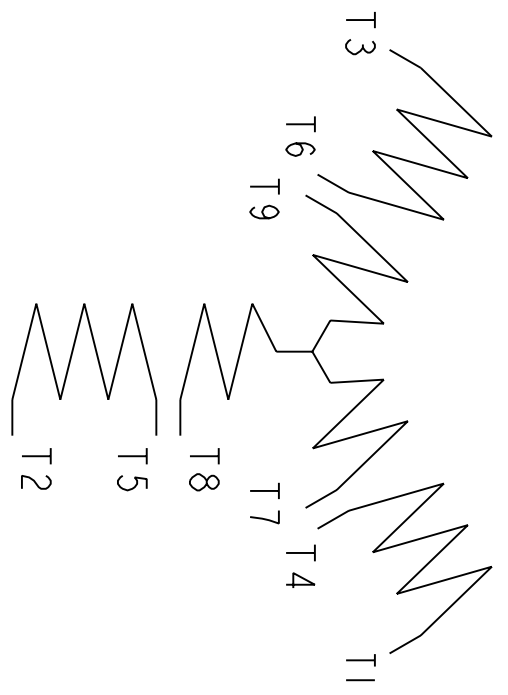


FIG. 2

3 PHASE



	VOLTS	L1	L2	L3	TOGETHER
2Y	LOW	1-7	2-8	3-9	4-5-6
1Y	HIGH	1	2	3	4-7, 5-8, 6-9

BRAKE MOTORS : CONNECT BRAKE LEADS B1 & B2 TO MOTOR LEADS T7 & T8.

FOR ADDITIONAL INFO REFER TO:	SIGNATURES	DATE
APPLIED PRACTICES	M.D. PAPE	02/25/03
DIMENSIONS ARE IN INCHES	DETAIL	.
TOLERANCE ON:	CHECKED	.
1 PL DECIMALS ± 0.1	ENGRG	.
2 PL DECIMALS ± 0.02	MFG	.
3 PL DECIMALS ± 0.005	QUALITY	.
ANGLES ± 1.0	ISSUED	M.D. PAPE
FRACTIONS ±	FINISH	02/25/03
MATERIAL	SOLID MODEL: 113A930F1G2	



REGAL-BELOIT CORPORATION

CONNECTION DIAGRAM

TITLE	SIZE	DRAWING	REV
CONNECTION DIAGRAM	A	113A930FIG2	2
SCALE: 1.000	REF. No:	SHEET 1 of 1	