

PRODUCT INFORMATION PACKET



Model No: 5K49MN6126T
Catalog No: K1487
1/3,1140/950,TENV,56,3/60/200-230/460
Three Phase



Regal and Marathon are trademarks of Regal Beloit Corporation or one of its affiliated companies.

©2018 Regal Beloit Corporation, All Rights Reserved. MC017097E



Product Information Packet: Model No: 5K49MN6126T, Catalog No:K1487 1/3,1140/950,TENV,56,3/60/200-230/460

Nameplate Specifications

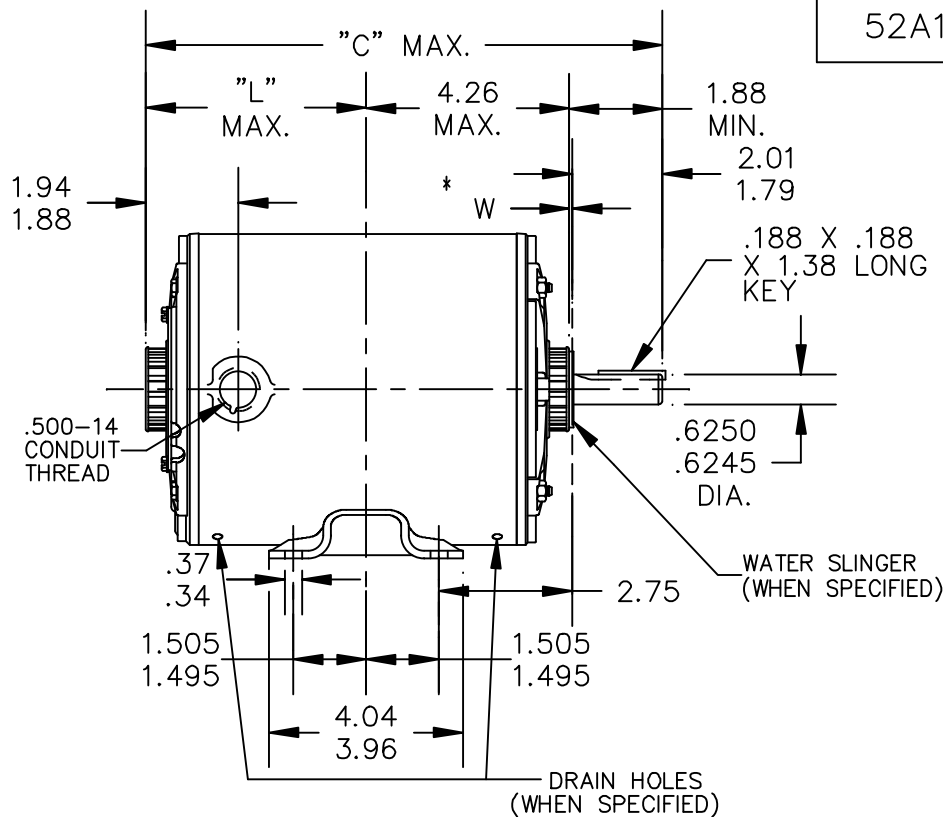
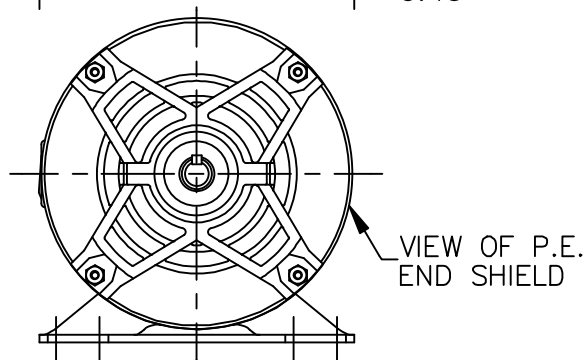
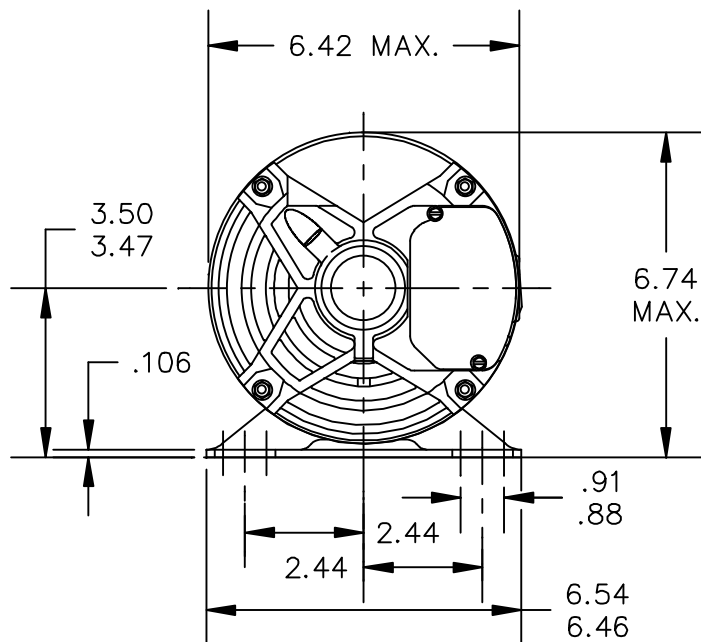
Output HP	1/3 Hp	Output KW	0.25 kW
Frequency	60 Hz	Voltage	200-230/460 V
Current	2.1-2.0,1.0 A	Speed	1140/950 rpm
Service Factor	1.5	Phase	3
Efficiency	69.9 %	Duty	Continous
Insulation Class	B	KVA Code	P
Frame	56	Enclosure	Totally Enclosed Non Ventilated
Overload Protector	AUTO	Ambient Temperature	65 °C
Drive End Bearing Size	6203	Opp Drive End Bearing Size	6203
UL	Recognized	CSA	Yes
CE	N		

Technical Specifications

Electrical Type	Three Phase	Starting Method	N/R
Poles	6	Rotation	Counterclockwise/Clockwise
Mounting	Rigid Base	Motor Orientation	ANY
Drive End Bearing	BALL	Opp Drive End Bearing	BALL
Frame Material	Rolled Steel	Overall Length	10.38 in
Frame Length	6.15 in	Shaft Diameter	0.63 in
Shaft Extension	1.88 in	Thru-bolts Extension	0
Outline Drawing	52A109628P2	Connection Diagram	113A423

This is an uncontrolled document once printed or downloaded and is subject to change without notice. Date Created: 10/08/2018

52A109628



ALL DIMENSIONS ARE IN INCHES

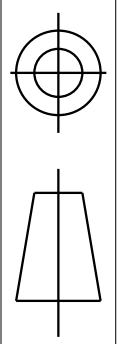
7	K	49	56	9.57	3.41		5.34
6	K	48	56	12.66	6.50		8.43
5	K	49	56	11.91	5.75		7.68
4	K	49	56	11.38	5.22		7.15
3	K	46	56	10.78	4.62		6.55
2	K	49	56	10.38	4.22		6.15
1	K	42	56	9.95	3.79		5.72
P	TYPE	RBC SIZE	NEMA FR.	"C"	"L"		MIN. SHELL

* W IS A VARIABLE CLEARANCE DUE TO VARIATIONS IN PARTS AND ASSEMBLY

				TOLERANCES UNLESS SPECIFIED		DRAWN M.D.P 06/03/94	
				DEC.	INCHES	CHK	
				.X	±0.1	APPD M.D.P 06/03/94	
5	REDRAWN IN DRAFT SIGHT	UD 10/08/12	PKG	.XX	±0.02	TITLE OUTLINE	
4	CHG TO RBC FORMAT PER ISO5-1777	SD 03/21/06		.XXX	±0.005	TEN V - BALL BEARING - WELDED BASE FMF - 40 FRAME REDESIGN(5K49SN4095)	
3	ADDED DRAIN HOLES.	M.D.P 08/18/95		.XXXX	±0.0005	SCALE 1=1	
NO.	REVISION	BY & DATE	CHK	ANG	±1.0	REF	
				RFP	CAD FILE	52A109628	SIZE A
				DIST			DRAWING NO. 52A109628
							REV. 5

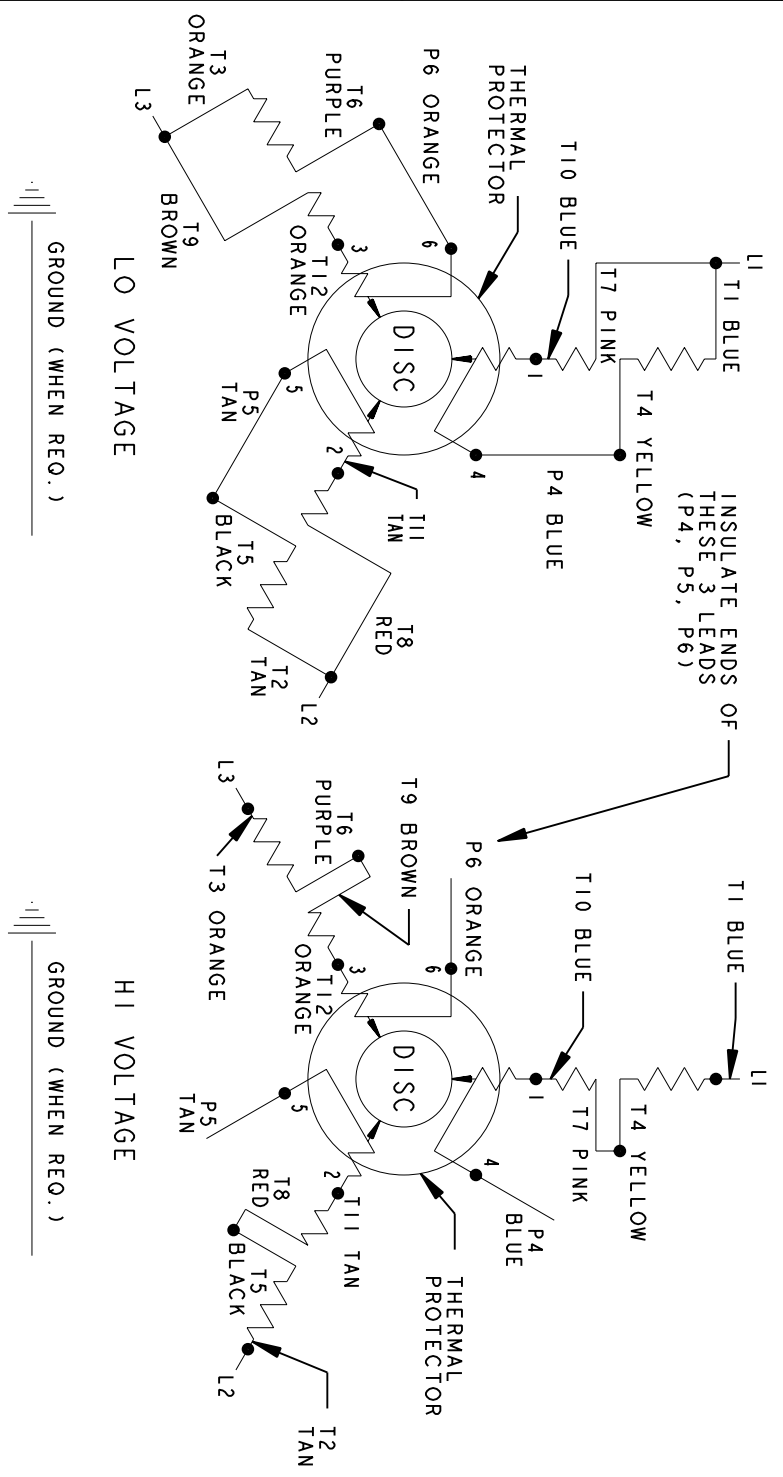
THIS DRAWING IN DESIGN AND DETAIL IS OUR PROPERTY AND MUST NOT BE USED EXCEPT IN CONNECTION WITH OUR WORK ALL RIGHTS OF DESIGN AND INVENTION ARE RESERVED THIS IS AN ELECTRONICALLY GENERATED DOCUMENT - DO NOT SCALE THIS PRINT

REV.	DESCRIPTION	DATE	APPROVED
7	LO VOLTAGE: "T8 RED" WAS "T3 RED"	09/25/92	BLJ
8	LABEL WAS 185178	04/04/95	M.A.M.
9	CHG TO RBC FORMAT PER IS05-1777	06/13/06	SUDHA



This document is the property of REGAL-BELOIT CORPORATION ("RBC") including its subsidiaries and divisions and contains proprietary information of RBC. This document is loaned on the express condition that neither the recipient nor any other person shall be permitted to disclose or disseminate the information contained herein without the prior written consent of RBC. This document shall be returned to RBC upon its request. This document may be subject to certain restrictions under U.S. export control laws and regulations.

TYPE K - DUAL VOLTAGE - THREE PHASE -
I2 LEAD WDG. - I2 LEADS OUT - THERMAL PROTECTION



NOTE #1 - TO REVERSE ROTATION, INTERCHANGE THE EXTERNAL CONNECTIONS TO ANY TWO LINE LEADS.

LABEL - NP185178AA

FOR ADDITIONAL INFO REFER TO:

APPLIED PRACTICES	SIGNATURES	DATE
DIMENSIONS ARE IN INCHES	G.A.HILLSMIER	01/05/56
TOLERANCE ON: 1 PL DECIMALS ± 0.1 2 PL DECIMALS ± 0.02 3 PL DECIMALS ± 0.005		
ANGLES ± 1.0		
FRACTIONS ±		
FINISH		

REGAL-BELOIT CORPORATION

DIAGRAM - CONNECTION
TYPE K MOTORS

MODEL	DATE
G.A.HILLSMIER	01/05/56
CHECKED	
ENGRG	
MFG	
QUALITY	
ISSUED	05/12/92
B.L.J.	

SCALE: 1.000 REF. No.: .

113A423 REV 9

SHEET 1 of 1